

## Ordering Information

Applicable shower faucet:	
Trim only with lever handle with N.P.T. spout*	K-T15101-4
Trim only with lever handle with slip-fit spout*	K-T15101-4S
Trim only with sculptured acrylic handle with N.P.T. spout*	K-T15101-7
Trim only with sculptured acrylic handle with slip-fit spout*	K-T15101-7S

\*Valve must be ordered to complete faucet.

**ADA** Lever handles are ADA compliant

Applicable Rite-Temp valve:		
Less stops	K-15701-K	required**
With stops	K-15701-KS	required**

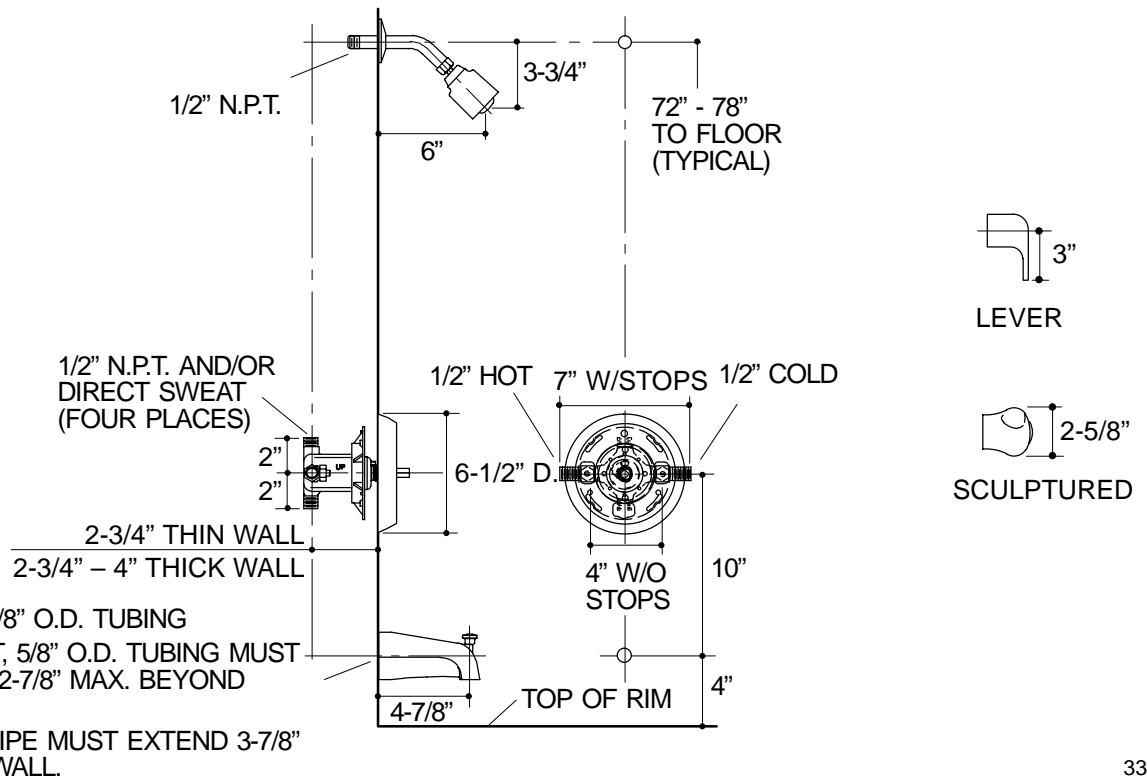
\*\*Required for configuration illustrated.

## Installation Notes

Avoid cross-flow conditions. Do not install shut-off device on either valve outlet.

Cap shower outlet if deck-mount spout, diverter, or handshower is connected to spout outlet.

Install straight pipe or tube drop of 7 to 18" with single elbow between valve and wall-mount spout.



332

**K-T15101, K-15701** Coralais™ Bath and Shower Faucet Trim  
114981-1-BA (-)

**KOHLER®**

**NOTES:**