

**INDUSTRIAL EXPOSED SHOWER  
K-7252**

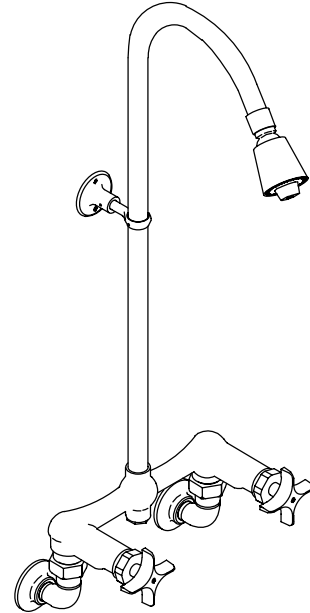
**FEATURES**

- Brass construction
- For 6" centers
- Brass valve bodies
- Valvet® valves
- Four-arm handles

**CODES/STANDARDS APPLICABLE**

Specified model meets or exceeds the following:

- ASME/ANSI A112.18.1M
- CSA B125
- IAPMO/UPC



**COLORS/FINISHES**

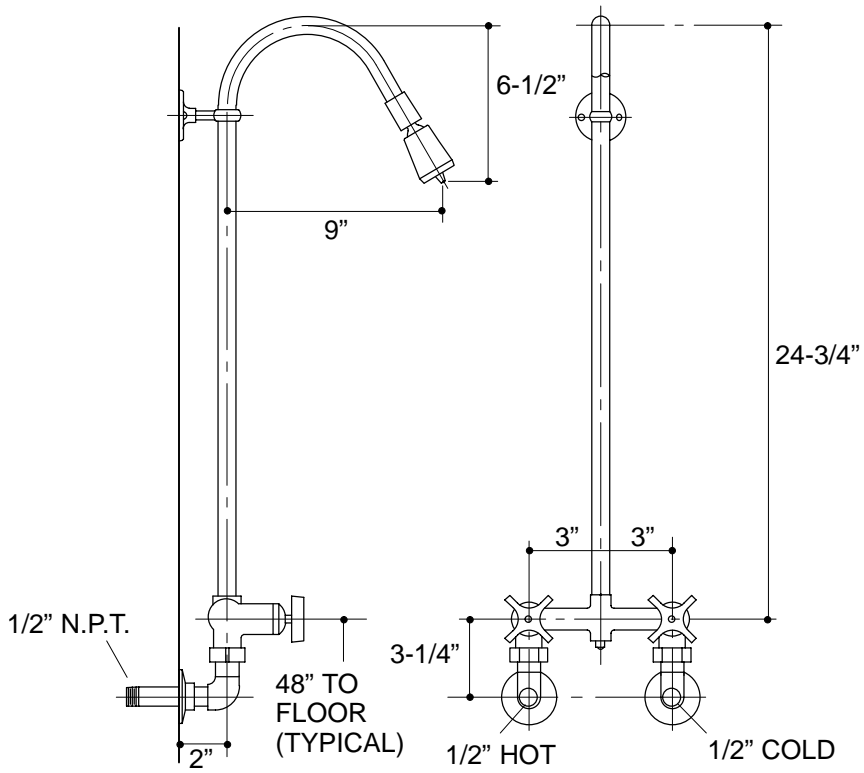
- CP Polished Chrome

**SPECIFIED MODEL:**

Model	Description	
K-7252	Industrial Exposed Shower	<input type="checkbox"/> CP

**PRODUCT SPECIFICATION:**

Two-handle industrial exposed shower shall be of brass construction. Faucet shall feature brass valve bodies. Faucet shall also feature Valvet valves. Product shall include 6" centers, showerhead, four-arm handles, and wall-mount bracket. Faucet shall be Kohler Model K-7252-CP.



18

### PRODUCT DIAGRAM