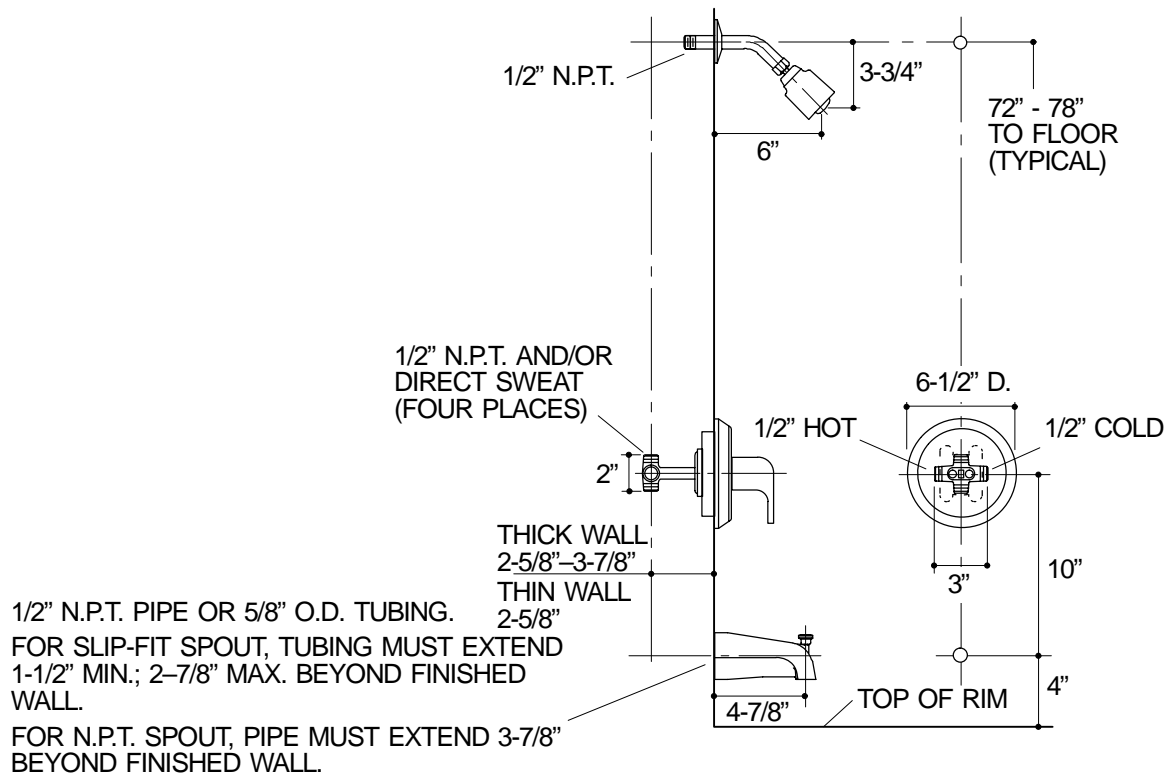


**Ordering Information**

Applicable product less screwdriver stops:	
Bath and shower with N.P.T. spout	K-15105-4
Bath and shower with slip-fit spout	K-15105-4S
<b>ADA</b>	Lever handle is ADA compliant



332

**K-15105-4** Coralais™ Bath and Shower Faucet  
115317-1-AA (9619)

**NOTES:**