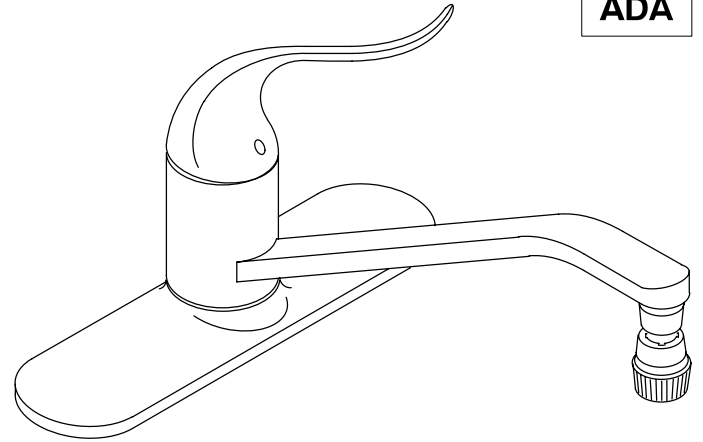


**KITCHEN SINK FAUCET
K-15174**

ADA



FEATURES

- Metal construction
- One-piece self-contained ceramic disc valve allows both volume and temperature control
- Temperature memory allowing faucet to be turned on and off at any temperature setting
- High-temperature limit stop
- 8-1/2" swing spout
- 2.5 gallons per minute
- Lever handle
- Black Swinger sprayer/aerator
- Optional ground joint connections

CODES/STANDARDS APPLICABLE

Specified model meets or exceeds the following:


- ASME/ANSI A112.18.1M
- Canadian Standards Association (CSA)
- Energy Policy Act of 1992
- IAPMO/UPC
- NSF 14

COLORS/FINISHES

- CP Polished Chrome

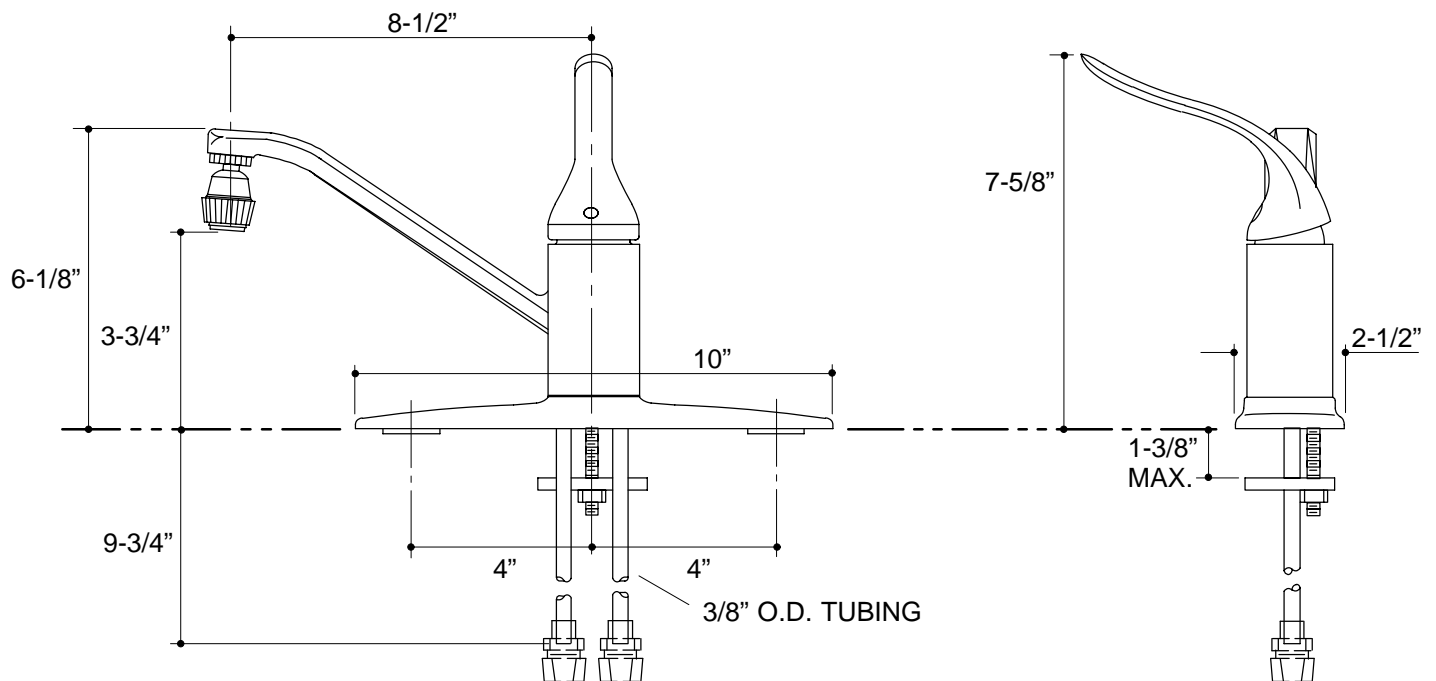
SPECIFIED MODEL:

Model	Description	
K-15174	Less Ground Joint Connections	<input type="checkbox"/> CP
K-15174-P	With Ground Joint Connections	<input type="checkbox"/> CP

Optional Accessory		
K-15179-A	12" Swing Spout and Aerator	 <input type="checkbox"/> CP

PRODUCT SPECIFICATION:

Single-control kitchen sink faucet shall be of metal construction. The valve shall be a one-piece, self-contained ceramic disc valve, and allows both volume and temperature control. The valve shall feature temperature memory, allowing the faucet to be turned on and off at any temperature setting, and includes a high-temperature limit stop. Product shall include 8-1/2" swing spout, lever handle, and black Swinger sprayer/aerator. Optional feature shall be with or without ground joint connections. Faucet shall be Kohler Model K-15174-____-CP.



14

PRODUCT DIAGRAM