

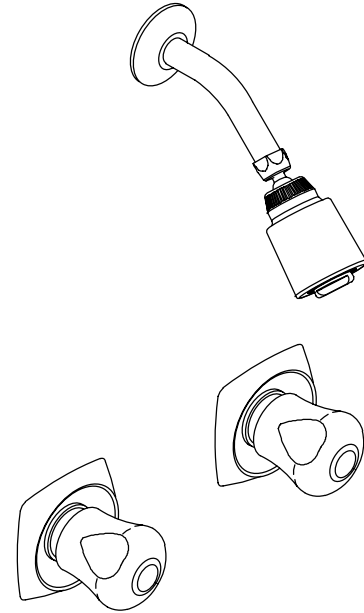
FEATURES

- Metal construction
- Reversible 1/2" quarter-turn washerless ceramic disc valves
- Sculptured acrylic handles

CODES/STANDARDS APPLICABLE

Specified model meets or exceeds the following:

- ASME/ANSI A112.18.1M
- CSA B125
- IAPMO/UPC



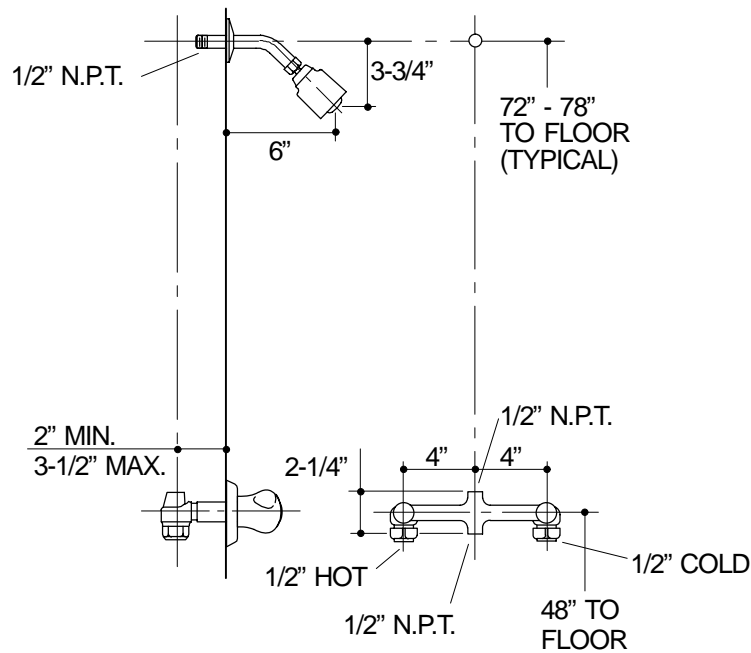
COLORS/FINISHES

- CP Polished Chrome
- PB Polished Brass

SPECIFIED MODEL:

Model	Description		
K-15211	Coralais Shower Faucet	<input type="checkbox"/> CP	<input type="checkbox"/> PB

PRODUCT SPECIFICATION:
 Two-handle shower faucet shall be of metal construction. Faucet shall feature reversible 1/2" quarter-turn washerless ceramic disc valves, assuring positive handle stop positioning. Product shall include showerhead with arm and flange, and sculptured acrylic handles. Faucet shall be Kohler Model K-15211-____.



332

PRODUCT DIAGRAM