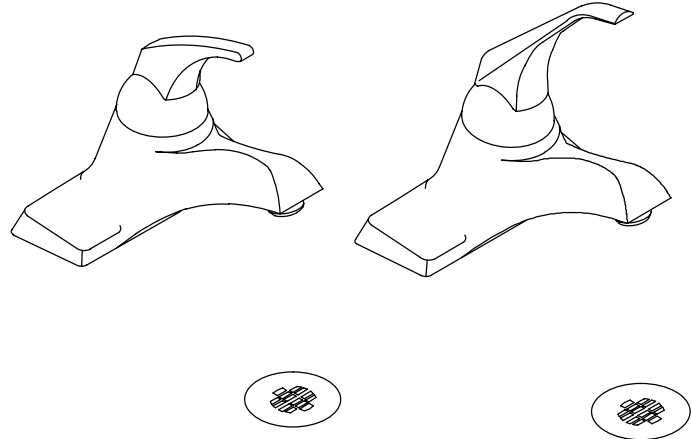


**LAVATORY FAUCET
K-15598**

ADA

FEATURES

- Metal construction
- For 4" centers
- One-piece self-contained valve cartridge allows both volume and temperature control
- Temperature memory allowing faucet to be turned on and off at any temperature setting
- 4-5/8" spout
- Metal throatplate
- Vandal-resistant aerator
- 2.0 gallons per minute
- Grid drain with tailpiece
- Available with 3-1/4" or 4-1/4" vandal-resistant lever handle
- Includes matching finish handle cap
- Optional ground joint connections



K-15598
K-15598-P

K-15598-5
K-15598-5P

CODES/STANDARDS APPLICABLE

Specified model meets or exceeds the following:

- ASME/ANSI A112.18.1M
- California Energy Commission
- Energy Policy Act of 1992
- NSF 14

COLORS/FINISHES

- CP Polished Chrome

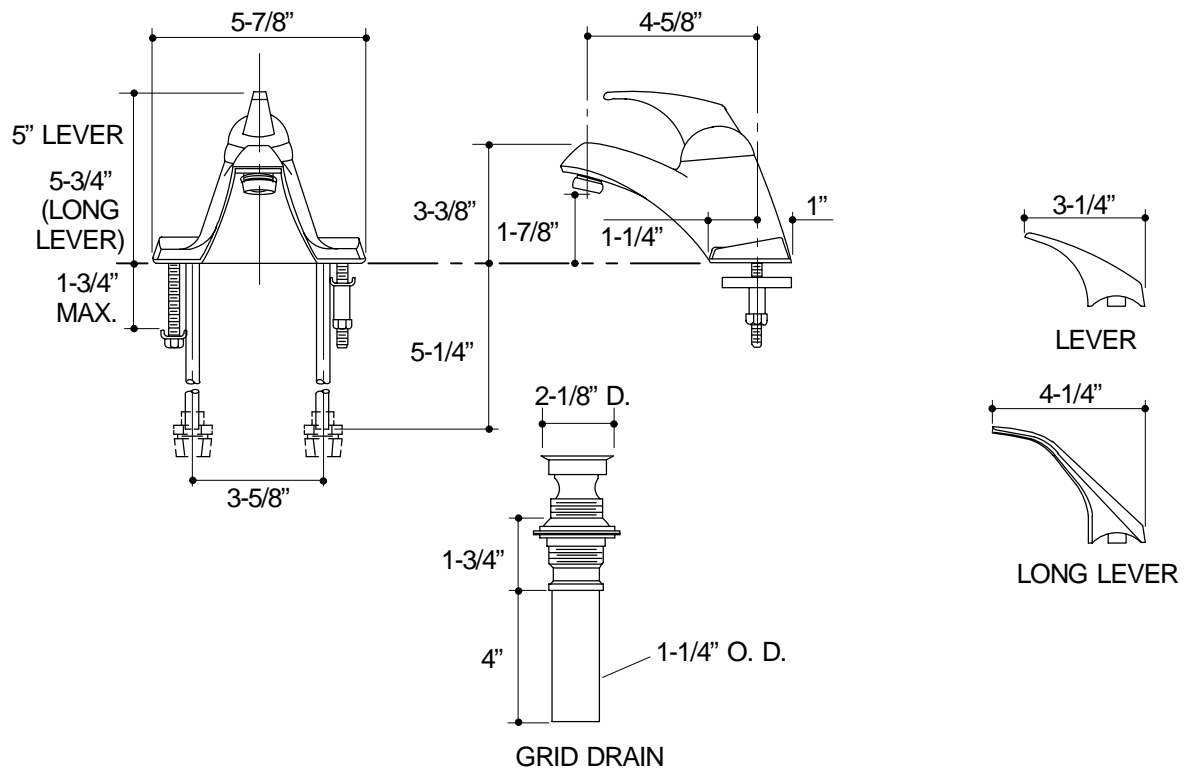
SPECIFIED MODEL:

Model	Description	
K-15598	With 3-1/4" Lever Handle; Less Ground Joint Connections	<input type="checkbox"/> CP
K-15598-P	With 3-1/4" Lever Handle; With Ground Joint Connections	<input type="checkbox"/> CP
K-15598-5	With 4-1/4" Lever Handle; Less Ground Joint Connections	<input type="checkbox"/> CP
K-15598-5P	With 4-1/4" Lever Handle; With Ground Joint Connections	<input type="checkbox"/> CP

Optional Accessory				
K-15180-A	Lever Handle Color Cap, Single	<input type="checkbox"/> CP	<input type="checkbox"/> PB	<input type="checkbox"/> Other _____

PRODUCT SPECIFICATION:

Single-control centerset lavatory faucet shall be of metal construction. The valve shall be a one-piece, self-contained valve cartridge, and allows both volume and temperature control. The valve shall feature temperature memory, allowing the faucet to be turned on and off at any temperature setting. Product shall include 4" centers, 4-5/8" spout, vandal-resistant(VR) aerator, grid drain with tailpiece, VR 3-1/4" or 4-1/4" lever handle, and matching finish handle cap. Faucet shall be Kohler Model K-15598-_____-CP.



316

PRODUCT DIAGRAM