

**CORALAIS™ DECORATOR SERIES**

**BATH AND SHOWER BASE FAUCET  
K-15801-K**

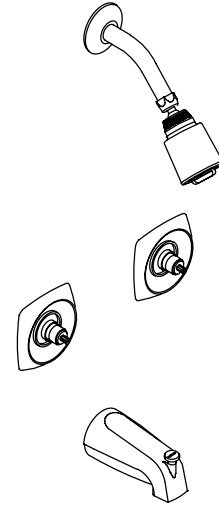
**FEATURES**

- Metal construction
- Reversible 1/2" quarter-turn washerless ceramic disc valves
- 4-7/8" diverter bath spout with N.P.T. connection
- Variety of handle style options

**CODES/STANDARDS APPLICABLE**

Specified model meets or exceeds the following:

- ASME/ANSI A112.18.1M
- CSA B125
- IAPMO/UPC



**COLORS/FINISHES**

- CP Polished Chrome
- PB Polished Brass

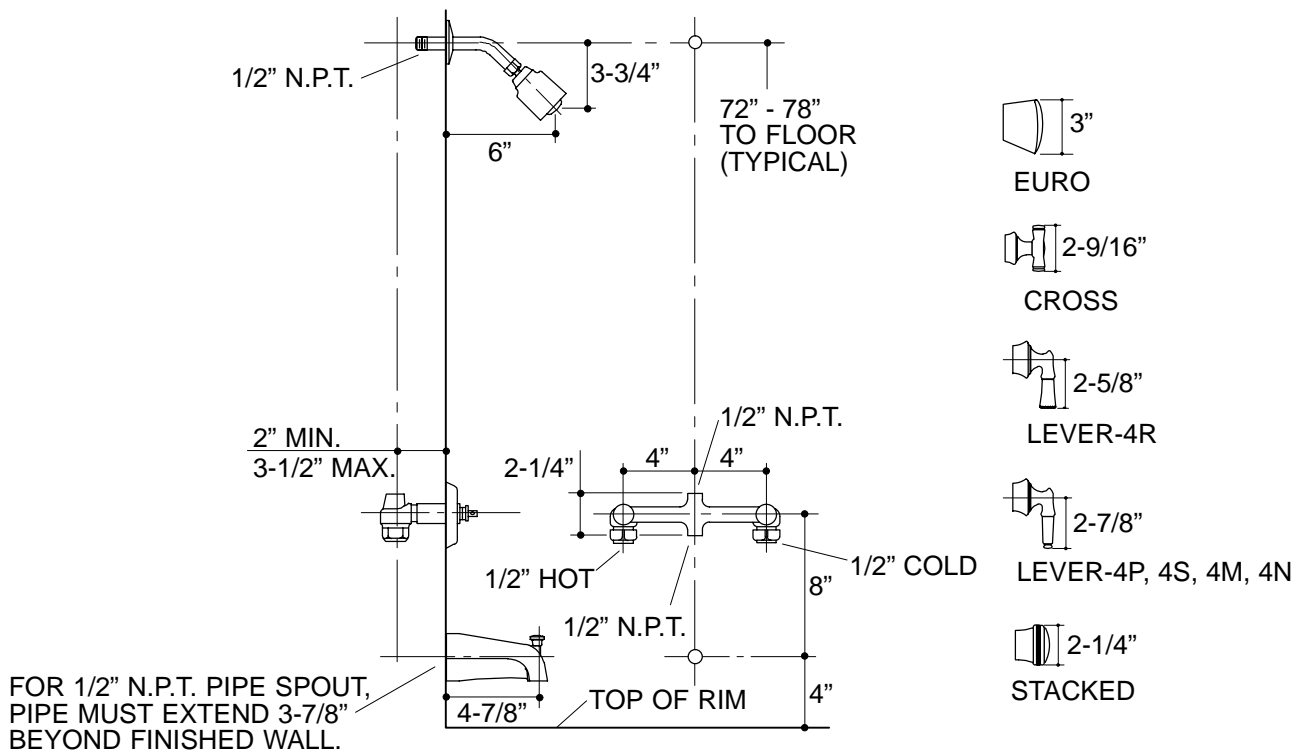
**SPECIFIED MODEL:** For complete faucet, both base faucet and handle choice must be specified.

Model	Description								
K-15801-K	Coralais Decorator Series Bath and Shower Base Faucet			<input type="checkbox"/> CP		<input type="checkbox"/> PB			
<b>Required Accessory (Includes Two Handles)</b>									
K-15851-1	Euro	<input type="checkbox"/> CP	<input type="checkbox"/> PB						
K-15851-3P	White Porcelain Cross		<input type="checkbox"/> CP	<input type="checkbox"/> PB					
K-15851-4M	Lever, Polished Chrome Insert				<input type="checkbox"/> CP	<input type="checkbox"/> PB			
K-15851-4N	Lever, Polished Brass Insert				<input type="checkbox"/> CP	<input type="checkbox"/> PB			
K-15851-4P	Lever, White Porcelain Insert				<input type="checkbox"/> CP	<input type="checkbox"/> PB			
K-15851-4R	Lever, Acrylic Insert				<input type="checkbox"/> CP	<input type="checkbox"/> PB			
K-15851-7M	Stacked, Polished Chrome Insert							<input type="checkbox"/> CP	<input type="checkbox"/> PB
K-15851-7N	Stacked, Polished Brass Insert							<input type="checkbox"/> CP	<input type="checkbox"/> PB

**PRODUCT SPECIFICATION:**

Two-handle bath and shower base faucet shall be of metal construction. Faucet shall feature reversible 1/2" quarter-turn washerless ceramic disc valves, assuring positive handle stop positioning. Product shall include showerhead with arm and flange, and 4-7/8" diverter spout with N.P.T. connection. Faucet shall be Kohler Model K-15801-K-\_\_\_\_\_ and handles shall be Kohler Model K-15851-\_\_\_\_\_-\_\_\_\_\_.

# CORALAIS™ DECORATOR SERIES



332

## PRODUCT DIAGRAM