

### Ordering Information

Applicable faucet trim only:	
Bath and Shower Scroll handle*	K-T16113-4
Bath and Shower Traditional handle*	K-T16113-4A
Shower Scroll handle*	K-T16114-4
Shower Traditional handle	K-T16114-4A
Valve Scroll handle*	K-T16117-4
Valve Traditional handle*	K-T16117-4A
*Rite-Temp valve must be ordered to complete faucet.	

Applicable Rite-Temp valve:		
Rite-Temp valve without stops	K-304-K	not shown**
Rite-Temp valve with stops	K-304-KS	not shown**
Hi Flow Rite-Temp valve with integral stops	K-306-KS	not shown**
Hi Flow Rite-Temp thin wall installation kit	88526	not shown

\*\*Required for configuration illustrated.

**ADA** Lever handle is ADA compliant

### Product Information



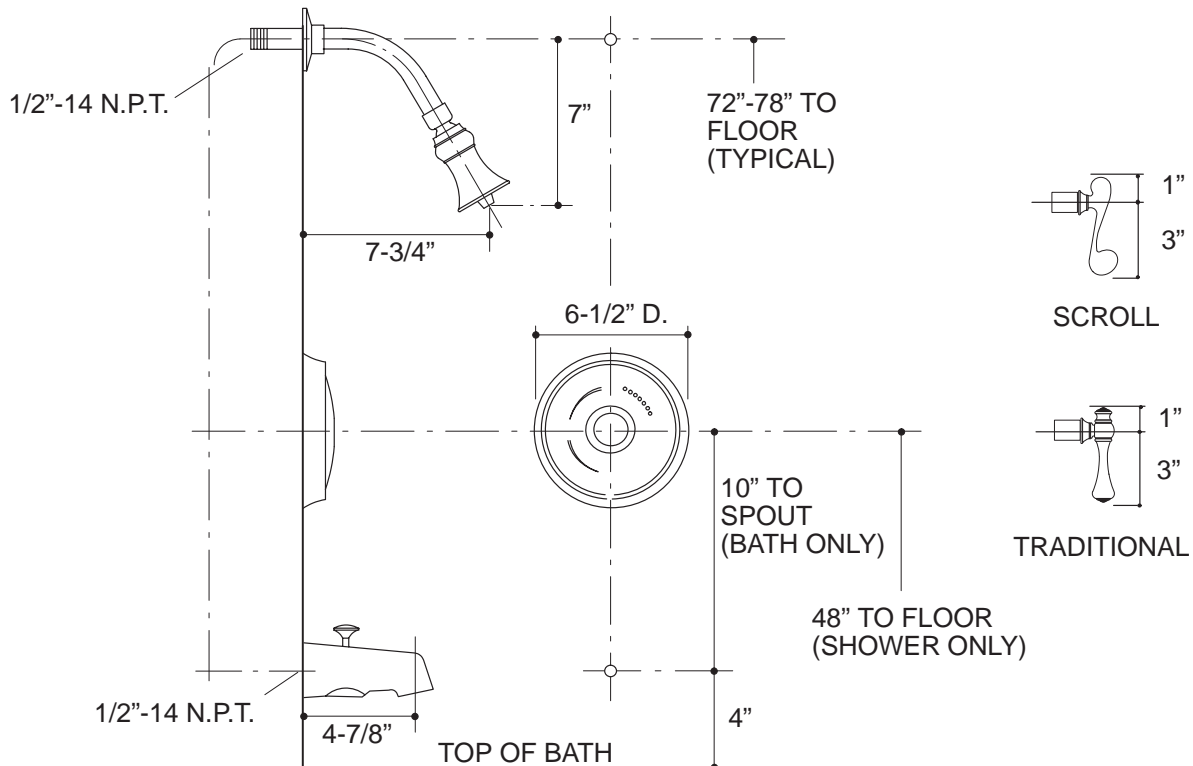
**WARNING: Risk of damage to the K-306-KS valve assembly.** When using the K-306-KS valve in a fiberglass or acrylic installation, use the thin wall installation kit (88526).

### Installation Notes

Avoid cross-flow conditions. Do not install shut-off device on either valve outlet.

Cap shower outlet if deck-mount spout, diverter, or handshower is connected to spout outlet.

Install straight pipe or tube drop of 7 to 18" with single elbow between valve and wall-mount spout.



18

K-T16113, K-T16114, K-T16117, K-304, K-306-KS Revival™ Faucets  
115435-1-DA (-)

**KOHLER®**

NOTES: