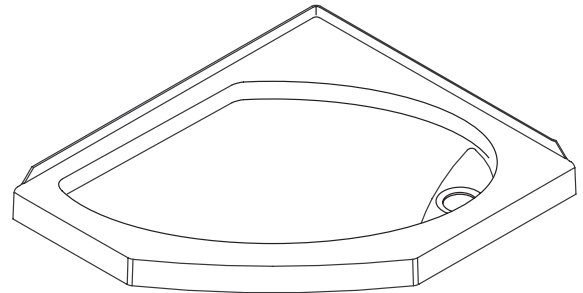


36" X 42" NEO-ANGLE RECEPTOR

K-9563, K-9564

FEATURES

- 36" x 42"
- Acrylic
- Left or right corner
- For stand-alone shower installations
- Molded-in floor pattern



CODES/STANDARDS APPLICABLE

Specified model meets or exceeds the following:

- ANSI Z124.2
- IAPMO/UPC
- Canadian Standards Association (CSA)
- State of Massachusetts

COLORS/FINISHES

- 0 White
- Other Refer to Fixtures Price Book for additional colors

Accessories:

- CP Polished Chrome
- PB Polished Brass
- SH Bright Silver
- BH Bright Brass
- 0 White
- Other Refer to Faucets Price Book for additional finishes

SPECIFIED MODEL:

Model	Description	Colors/Finishes	
K-9563	Left corner to wall receptor (drain on right)	<input type="checkbox"/> 0 White	<input type="checkbox"/> Other_____
K-9564	Right corner to wall receptor (drain on left)	<input type="checkbox"/> 0 White	<input type="checkbox"/> Other_____

Recommended Accessories				
K-9134	Drain	<input type="checkbox"/> CP	<input type="checkbox"/> PB	<input type="checkbox"/> Other_____

Optional Accessories				
K-701633	Focal neo-angle shower enclosure*	<input type="checkbox"/> SH	<input type="checkbox"/> BH	<input type="checkbox"/> 0 White

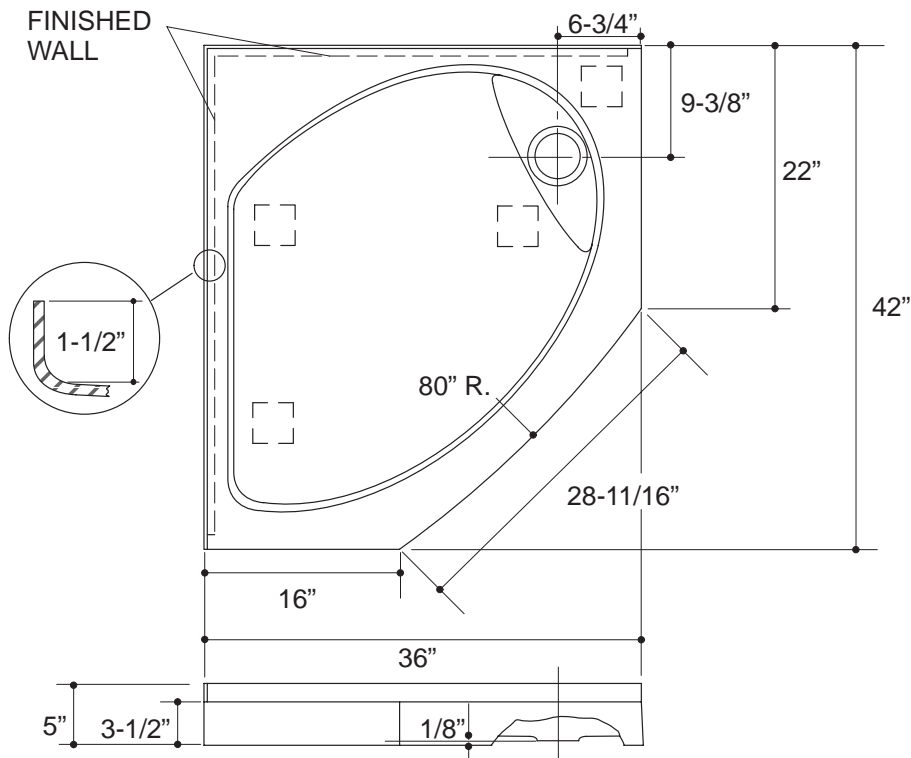
*Refer to Fixtures Price Book for glass options.

PRODUCT SPECIFICATION:

The receptor shall be 36" in length and 42" in width. Receptor shall be made of acrylic. Receptor shall be made to fit left or right corner. Receptor shall be for stand-alone installations. Receptor shall have molded-in floor pattern. Receptor shall be Kohler Model K-_____-_____.

PRODUCT INFORMATION

Fixture:	
Weight:	35 lbs.
Drain Outlet:	3-3/8" D.
Configuration:	1-piece



PRODUCT DIAGRAM