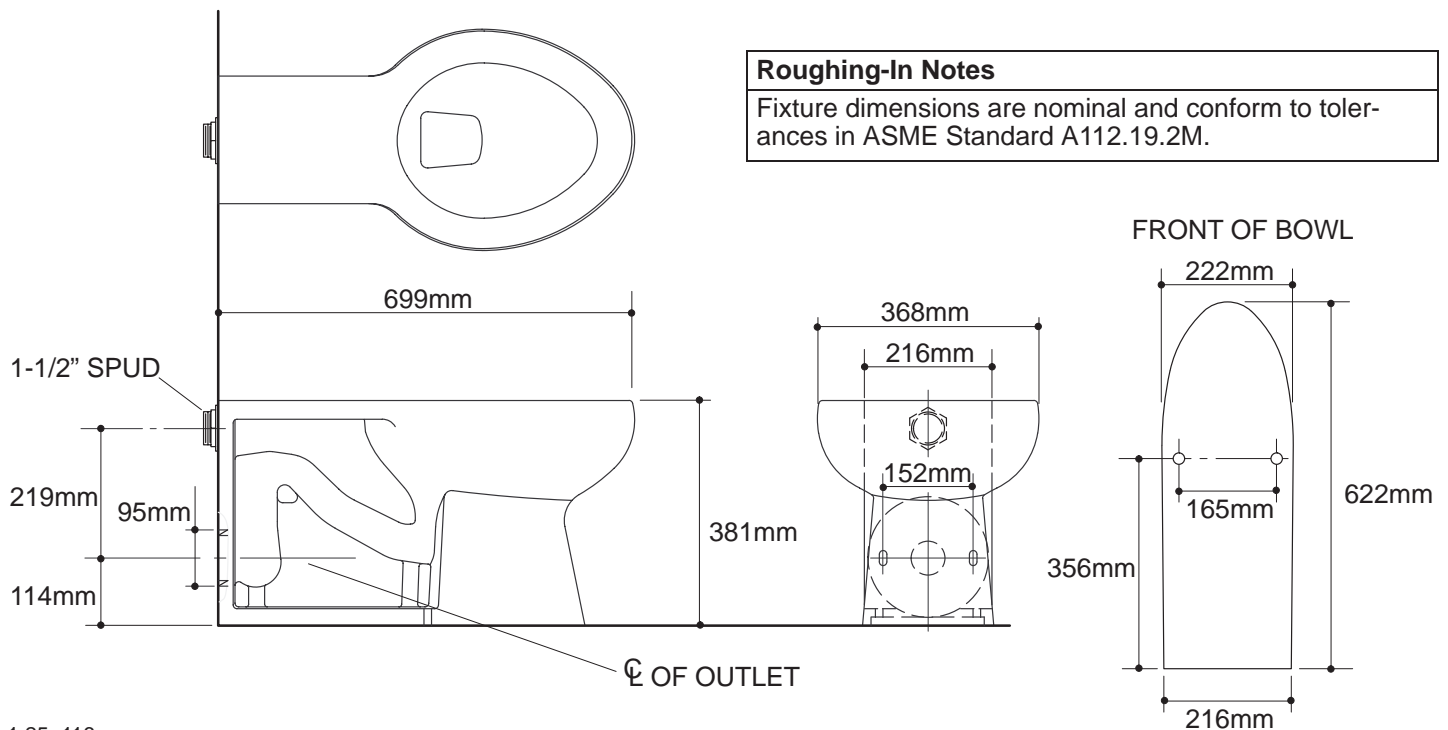


Ordering Information

| | | |
|-----------------------|-------|-------------|
| Accessories/hardware: | | |
| Floor bolts (pr.) | 21401 | recommended |

Product Information

| | |
|---|---|
| Fixture: | |
| Configuration | Rear spud, elongated with integral seat |
| Litres per flush | 6 litres* |
| Spud size | 1-1/2" |
| Passageway | 60mm |
| Water area | 279 x 241mm |
| Water depth from rim | 133mm |
| * Designed to flush with 6 litres of water when installed with a 6 lpf valve. | |
| Included Components: | |
| Spud | 18357 |
| Bolt caps (pr.) | 52048 |
| Floor screws (pr.) | 21402 |
| Flush valve requirements: Refer to manufacturer and local codes. | |



1.25>116