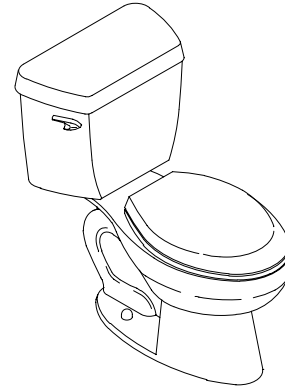


FEATURES

- 14" rough-in
- Vitreous china
- Elongated bowl
- 1.6 gpf
- 2" glazed trapway
- Combination toilet
- Includes polished chrome trip lever
- Less seat and supply
- With right-hand trip lever (-RA)
- With bedpan lugs (-L)
- With Insuliner® insulated tank lining (-U)
- With tank cover locks (-T)



CODES/STANDARDS APPLICABLE

Specified model meets or exceeds the following:

- ASME/ANSI A112.19.2M
- ASME/ANSI A112.19.6M
- Energy Policy Act of 1992 (EPACT)
- IAPMO/UPC
- Canadian Standards Association (CSA)
- States of Massachusetts, New York, & Texas
- Cities of Los Angeles, CA

COLORS/FINISHES

- 0 White
- Other Refer to Fixtures Price Book for additional colors

Accessories:

- 0 White
- CP Polished Chrome
- PB Polished Brass
- Other Refer to Fixtures Price Book for additional colors

SPECIFIED MODEL:

Model	Description	Colors/Finishes	
K-3438	Elongated bowl toilet (left-hand trip lever)	<input type="checkbox"/> 0 White	<input type="checkbox"/> Other_____
K-3438-T	Toilet with tank cover locks (left-hand trip lever)	<input type="checkbox"/> 0 White	<input type="checkbox"/> Other_____
K-3438-U	Toilet with Insuliner tank (left-hand trip lever)	<input type="checkbox"/> 0 White	<input type="checkbox"/> Other_____
K-3438-UT	Toilet with Insuliner tank & tank cover locks (LH trip lever)	<input type="checkbox"/> 0 White	<input type="checkbox"/> Other_____
K-4276-L & K-4621	Toilet with bed pan lugs (left-hand trip lever)	<input type="checkbox"/> 0 White	<input type="checkbox"/> Other_____
K-3438-RA	Elongated bowl toilet (right-hand trip lever)	<input type="checkbox"/> 0 White	<input type="checkbox"/> Other_____
K-3438-TR	Toilet with tank cover locks (right-hand trip lever)	<input type="checkbox"/> 0 White	<input type="checkbox"/> Other_____
K-3438-UR	Toilet with Insuliner tank (right-hand trip lever)	<input type="checkbox"/> 0 White	<input type="checkbox"/> Other_____
K-4276-L & K-4621-RA	Toilet with bed pan lugs (right-hand trip lever)	<input type="checkbox"/> 0 White	<input type="checkbox"/> Other_____

Recommended Accessories			
K-4652	Lustra™ seat with cover	<input type="checkbox"/> 0 White	<input type="checkbox"/> Other_____
K-4652-A	Lustra™ seat with cover (includes anti-microbial agent)	<input type="checkbox"/> 0 White	
K-4653	French Curve™ open front seat	<input type="checkbox"/> 0 White	<input type="checkbox"/> Other_____
K-7637	Angle supply with stop	<input type="checkbox"/> CP	<input type="checkbox"/> PB <input type="checkbox"/> Other_____

Optional Accessories on Page 2

PRODUCT SPECIFICATION:

The elongated combination toilet shall be 14" rough-in. Toilet shall be made of vitreous china. Toilet shall be 1.6 gpf. Toilet shall have 2" glazed trapway. Toilet shall include polished chrome trip lever. Toilet shall be less seat and supply. Toilet shall have right-hand trip lever (-RA). Toilet shall have bed pan lugs (-L). Toilet shall have Insuliner® insulated tank lining (-U). Toilet shall have tank cover locks (-T). Toilet shall be Kohler Model K-3438-_____-_____.

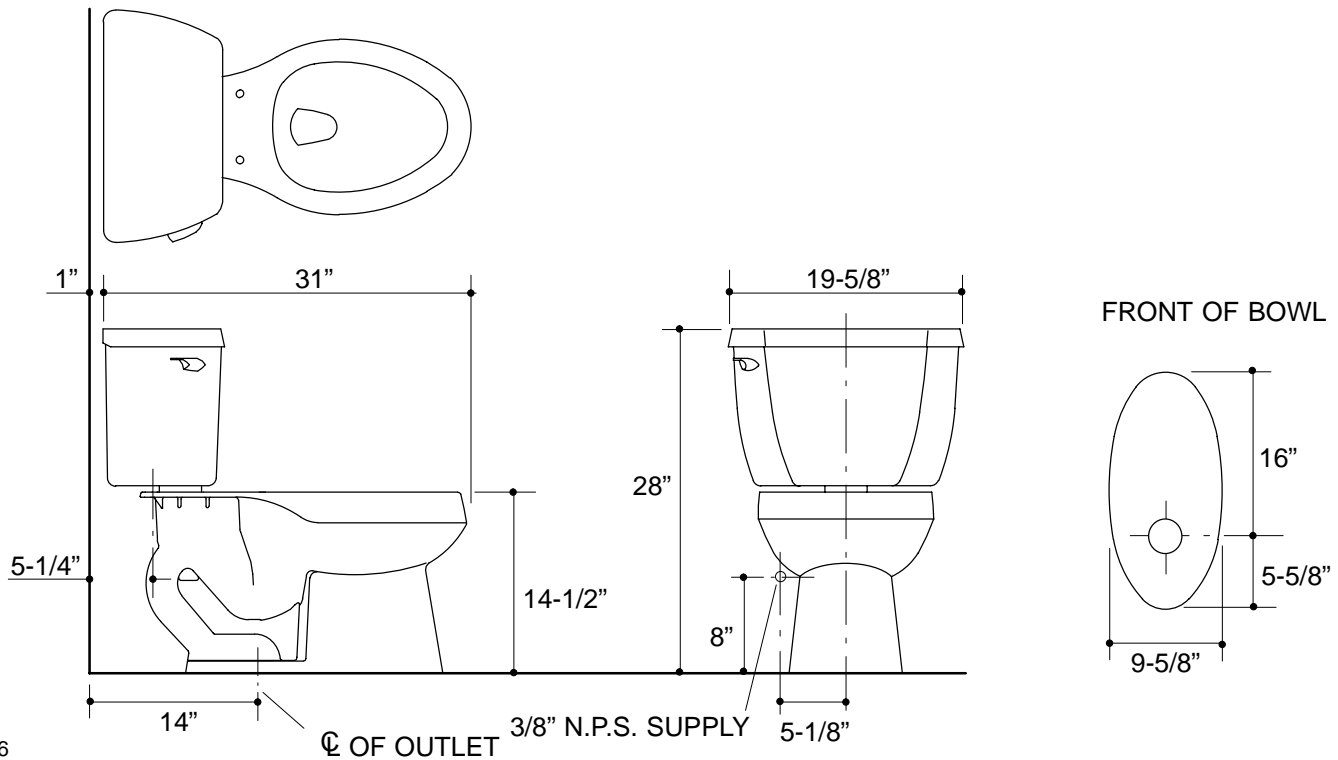
WELLWORTH™

Optional Accessories

K-9404-L	Trip lever, left-hand (non-CP)	<input type="checkbox"/> PB	<input type="checkbox"/> Other _____
K-9404-R	Trip lever, right-hand (non-CP)	<input type="checkbox"/> PB	<input type="checkbox"/> Other _____

PRODUCT INFORMATION

Fixture:	
Configuration	2-piece, elongated
Gallons per flush	1.6
Passageway	2"
Water depth from rim	6"
Seat post hole centers	5-1/2"
Included Components:	
Bowl	K-4276
Tank	K-4621
Tank cover	84095
Trip lever	K-9404



PRODUCT DIAGRAM