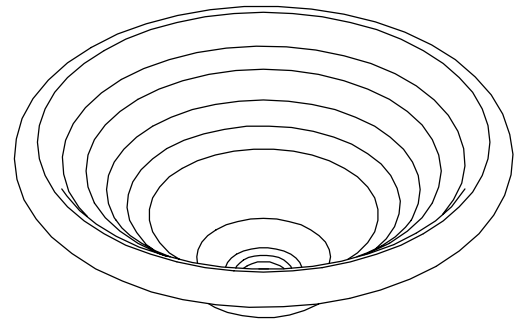


#### FEATURES

- 17-1/2" diameter
- Glass
- Above-the-counter or self-rimming
- Without overflow
- Optional wall-mount bracket (K-9655)
- ADA compliant, self-rimming only



#### CODES/STANDARDS APPLICABLE

Specified model meets or exceeds the following:

- ADA (self-rimming only)
- CABO/ANSI A117.1 (self-rimming only)
- Canadian Standards Association (CSA)
- State of Massachusetts

#### COLORS/FINISHES

- B1 Clear
- B2 Aquamarine
- B3 Cobalt

#### Accessories:

- CP Polished Chrome
- Other Refer to Faucets Price Book for additional finishes
- NA None Applicable

#### SPECIFIED MODEL:

Model	Description	Colors/Finishes		
K-2276	Spun Glass Vessels	<input type="checkbox"/> B1 Clear	<input type="checkbox"/> B2 Aquamarine	<input type="checkbox"/> B3 Cobalt

Required Accessories				
K-7702-BA	Pop-up drain with undercounter mount actuator	<input type="checkbox"/> CP	<input type="checkbox"/> Other_____	
Recommended Accessories				
K-9018	Trap	<input type="checkbox"/> CP	<input type="checkbox"/> Other_____	
Optional Accessories				
K-9655	Vessels wall-mount bracket	<input type="checkbox"/> NA		

#### PRODUCT SPECIFICATION:

The Vessels lavatory shall be 17-1/2" in diameter. Lavatory shall be made of glass. Lavatory shall be both above-the-counter or self-rimming. Lavatory shall be without overflow. Lavatory shall have optional wall-mount bracket (K-9655). Lavatory shall be ADA compliant, self-rimming only. Lavatory shall be Kohler Model K-2276-\_\_\_\_\_.

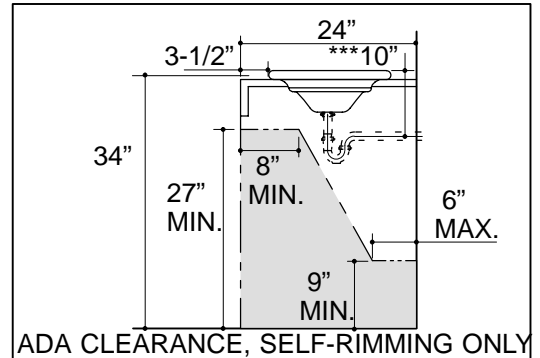
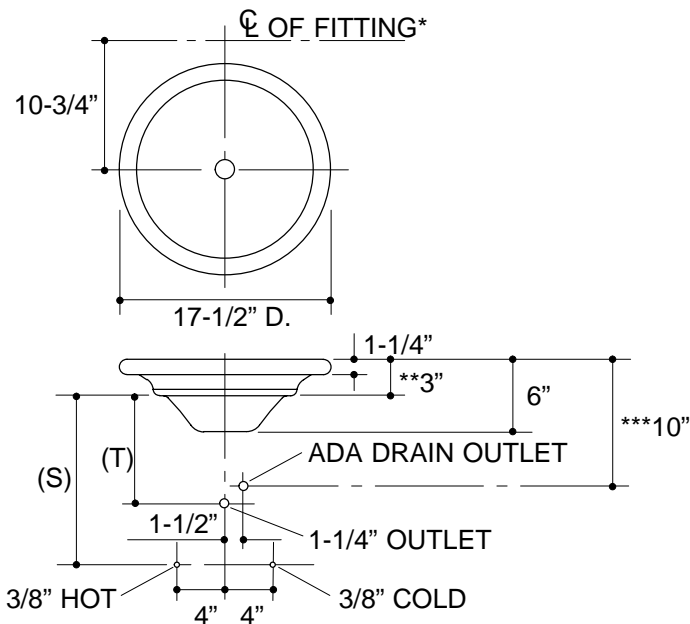
## PRODUCT INFORMATION

ADA compliant, self-rimming only:			
Fixture*:		basin area	water depth
Lavatory		15" D.	5-1/2"
Outlet	1-3/4" D.		
* Approximate measurements for comparison only.			
Included Components:			
Installation tape		84938	
Cutout template		115888-7	

## INSTALLATION NOTES

Refer to installation instructions included with fixture before beginning installation.

Product does not have an overflow.



### Roughing-In Notes

(T) Pop-up drain 9".

(S) 14" (Based on 12" riser which may require cutting).

\*Spout must be 5" long (min.) for adequate clearance into lavatory when installed with centerline as shown.

\*\*Spout must be tall enough to clear 3" rim height and provide a 1" air gap per ASME A112.1.2

\*\*\*Based on K-9018, with 1" of tailpiece exposed.

## PRODUCT DIAGRAM