

Ordering Information

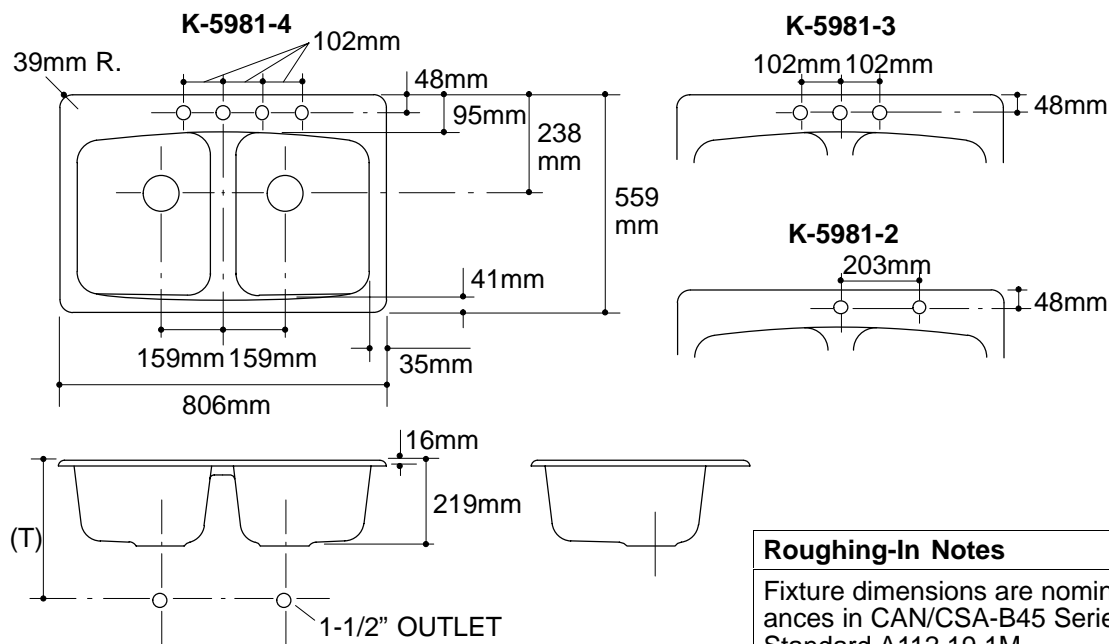
Applicable product:		
Four-hole sink	K-5981-4	shown
Three-hole sink	K-5981-3	not shown
Two-hole sink	K-5981-2	not shown

Product Information

Fixture*:		basin area	water depth
Sinks		330 x 381mm	171mm
Outlet	Ø98mm		
Faucet and spout holes	Ø35mm		
* Approximate measurements for comparison only.			

Installation Notes

Refer to installation instructions included with fixture before beginning installation.



Roughing-In Notes

Fixture dimensions are nominal and conform to tolerances in CAN/CSA-B45 Series-94 and ASME/ANSI Standard A112.19.1M.

(T) Drain typically 356mm.

Cutout 775 x 495mm with 25mm radius corners.

.85<116

K-5981 Brookfield™ Sink
115919-1M-AA (-)

KOHLER®