

PEDESTAL LAVATORY

K-2015

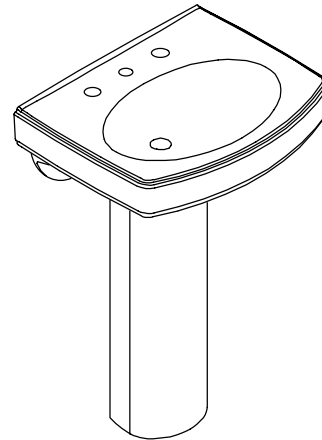
FEATURES

- 22" x 18" x 33"
- Vitreous China
- Pedestal lavatory
- 8" centers (-8), 4" centers (-4), or single-hole (-1)
- With overflow

CODES/STANDARDS APPLICABLE

Specified model meets or exceeds the following:

- ASME/ANSI A112.19.2M
- IAPMO/UPC
- Canadian Standards Association (CSA)



COLORS/FINISHES

- 0 White
- Other Refer to Fixtures Price Book for additional colors

Accessories:

- CP Polished Chrome
- Other Refer to Faucets Price Book for additional finishes

SPECIFIED MODEL:

| Model | Description | Colors/Finishes | |
|--------------------------------|----------------------|----------------------------------|-------------------------------------|
| | | <input type="checkbox"/> 0 White | <input type="checkbox"/> Other_____ |
| K-2015-8 | 8" centers lavatory | <input type="checkbox"/> 0 White | <input type="checkbox"/> Other_____ |
| K-2015-4 | 4" centers lavatory | <input type="checkbox"/> 0 White | <input type="checkbox"/> Other_____ |
| K-2015-1 | Single-hole lavatory | <input type="checkbox"/> 0 White | <input type="checkbox"/> Other_____ |
| Recommended Accessories | | | |
| K-7605-P | Supplies 3/8" (pair) | <input type="checkbox"/> CP | <input type="checkbox"/> Other_____ |
| K-9018 | Trap | <input type="checkbox"/> CP | <input type="checkbox"/> Other_____ |

PRODUCT SPECIFICATION:

The pedestal lavatory shall be 22" in length, 18" in width, and 33" in height. Pedestal lavatory shall be made of vitreous china. Pedestal lavatory shall have 8" centers (-8), 4" centers (-4), or single-hole (-1) drilling. Pedestal lavatory shall have overflow. Pedestal lavatory shall be Kohler Model K-2015-_____-_____.

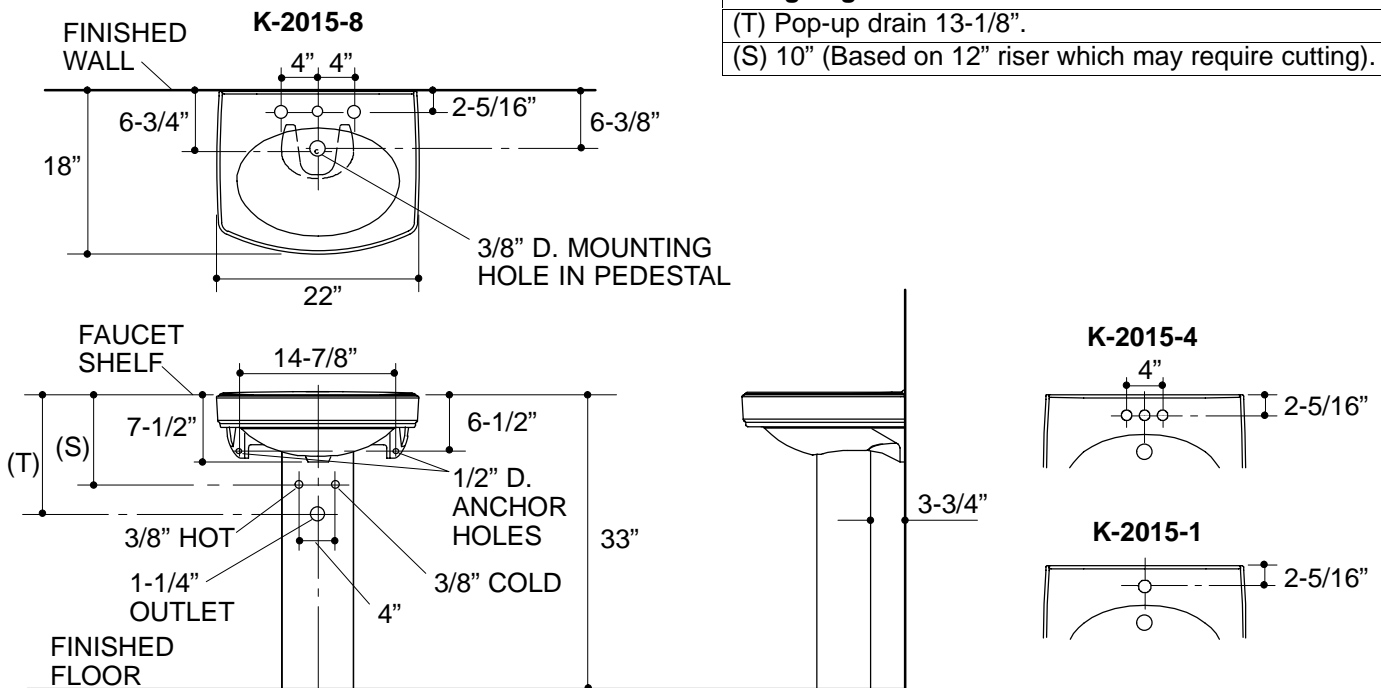
PRODUCT INFORMATION

| | | | |
|-----------|-----------|------------|-------------|
| Fixture*: | | basin area | water depth |
| Lavatory | | 18" x 12" | 4" |
| Outlet | 1-3/4" D. | | |

| Holes | K-2015-8 | K-2015-4 | K-2015-1 |
|--------|------------|------------|-----------|
| Spout | 1-3/16" D. | 1-3/16" D. | 1-3/8" D. |
| Faucet | 1-7/16" D. | 1-3/16" D. | |

| Included Components: | |
|-----------------------------|----------|
| Lavatory basin, 8" centers | K-2028-8 |
| Lavatory basin, 4" centers | K-2028-4 |
| Lavatory basin, single-hole | K-2028-1 |
| Pedestal | K-2033 |
| Rubber pads | 63069 |
| Lavatory accessory pack | 52204 |

| ROUGHING-IN NOTES |
|---|
| (T) Pop-up drain 13-1/8". |
| (S) 10" (Based on 12" riser which may require cutting). |



364

PRODUCT DIAGRAM