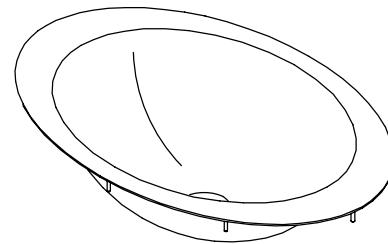


### FEATURES

- 23-1/8" x 15-1/4"
- Stainless Steel
- Self-rimming or undercounter
- Satin finish with Hushcoat undercoat (-S)
- Mirror finish with Hushcoat undercoat (-M)
- Herringbone finish with Hushcoat undercoat (-C)
- Mottled finish with Hushcoat undercoat (-D)
- Crosschecked finish with Hushcoat undercoat (-E)
- 20 gauge stainless steel
- Installation hardware included for both types of installation
- No overflow, PVC tube and drain gasket included to cover overflow hole in faucet drain assembly
- With sealant



### CODES/STANDARDS APPLICABLE

Specified model meets or exceeds the following:

- ASME/ANSI A112.19.3M
- Canadian Standards Association (CSA)

### COLORS/FINISHES

- NA Not Applicable

#### Accessories:

- CP Polished Chrome
- Other Refer to Faucets Price Book for additional finishes

### SPECIFIED MODEL:

Model	Description	Colors/Finishes
K-2601-S	Satin finish with hushcoat undercoat lavatory	<input type="checkbox"/> NA
K-2601-M	Mirror finish with hushcoat undercoat lavatory	<input type="checkbox"/> NA
K-2601-C	Herringbone finish rim, mirror finish basin with hushcoat undercoat lavatory	<input type="checkbox"/> NA
K-2601-D	Mottled finish basin, mirror finish rim with hushcoat undercoat lavatory	<input type="checkbox"/> NA
K-2601-E	Crosschecked finish basin, mirror finish rim with hushcoat undercoat lavatory	<input type="checkbox"/> NA

Recommended Accessories			
K-8998	Trap	<input type="checkbox"/> CP	<input type="checkbox"/> Other_____

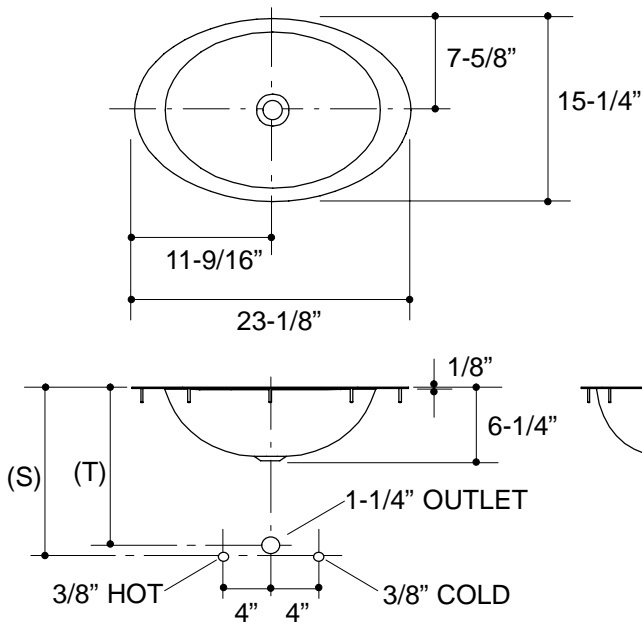
### PRODUCT SPECIFICATION:

The oval lavatory shall be 23-1/8" in length, and 15-1/4" in width. Lavatory shall be made of 20 gauge stainless steel. Lavatory shall be either self-rimming or undercounter installation. Lavatory shall have satin finish with Hushcoat undercoat (-S), mirror finish with Hushcoat undercoat (-M), herringbone finish with Hushcoat undercoat (-C), mottled finish with Hushcoat undercoat (-D), or crosschecked finish with Hushcoat undercoat (-E). Lavatory shall include hardware for both types of installation. Lavatory shall have PVC tube and drain gasket to cover overflow hole in faucet drain assembly. Lavatory shall include sealant. Lavatory shall be Kohler Model K-2601-\_\_\_\_\_-NA.

## PRODUCT INFORMATION

Fixture*:		basin area	water depth
Lavatory		18" x 13"	5-7/8"
Outlet	1-5/8" D.		

Included Components:	
Adhesive sealant	63034
Drain gasket	33507
Tube	62603
Basin clamp assembly (self-rimming)	56655
Basin clamp assembly (undercounter)	68922
Cutout template	116847-7

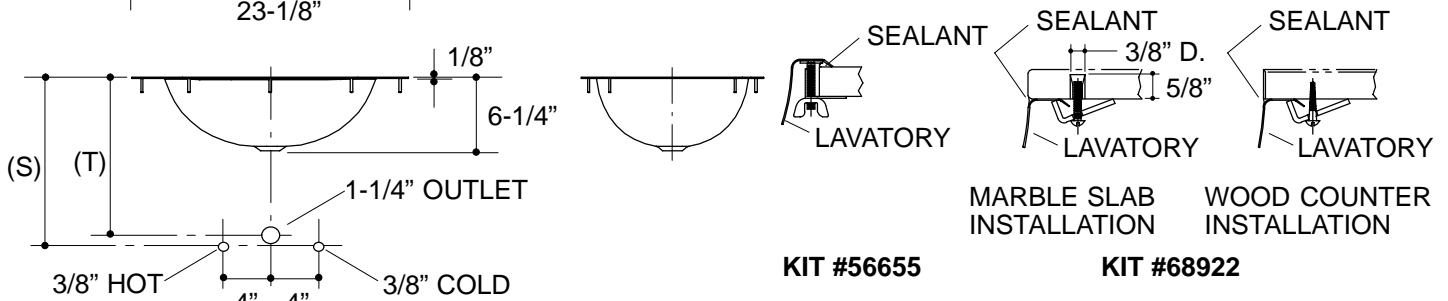


### Roughing-In Notes

(T) Pop-up drain 13-1/8".

(S) 14" (Based on 12" riser which may require cutting).

Supplied basin clamp assembly requires 3/4" minimum countertop thickness. Installer must supply anchors for thinner countertops.



**KIT #56655**

**KIT #68922**

NOTE: WATERPROOF UNPROTECTED OVERHANG AREA OF THE UNDERSIDE OF WOOD COUNTER.

## PRODUCT DIAGRAM