

Ordering Information

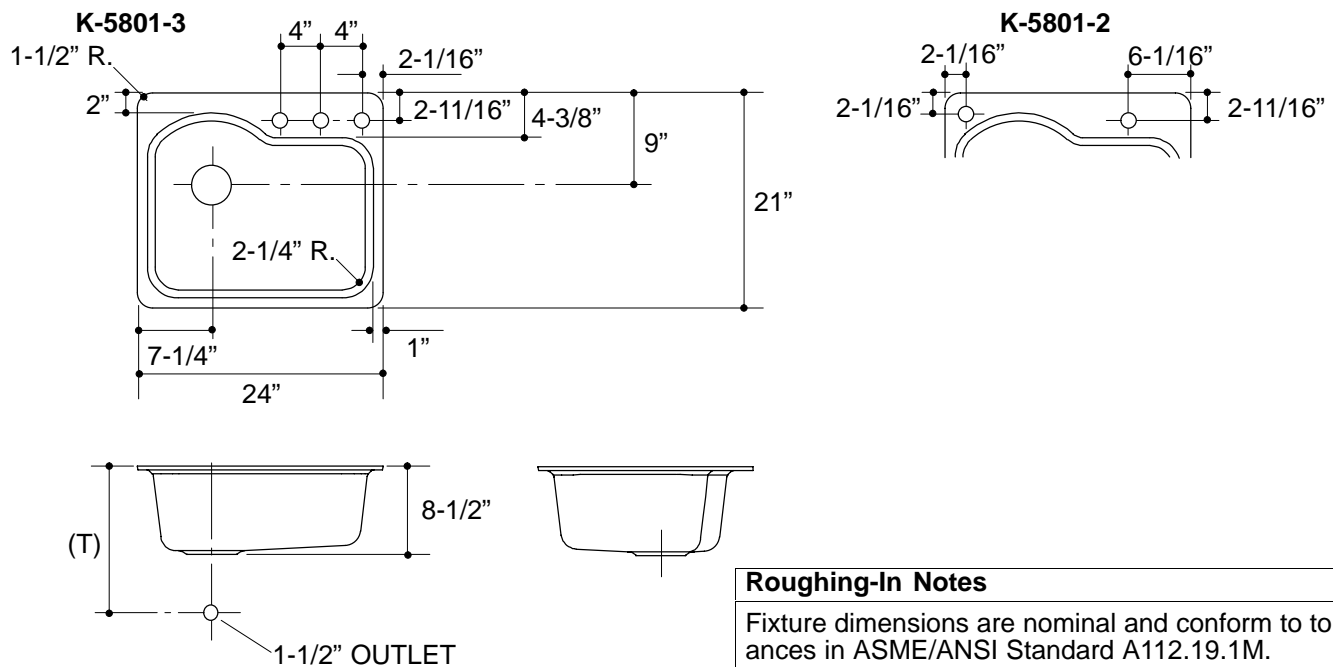
Applicable product:		
Three-hole sink	K-5801-3	shown
Two-hole sink	K-5801-2	not shown
Accessories/hardware:		
Metal frame	K-6596	recommended

Product Information

Fixture*:		basin area	water depth
Sink		20" x 14"	8"
Outlet	3-5/8" D.		
Faucet holes	1-3/8" D.		
* Approximate measurements for comparison only.			

Installation Notes

Refer to installation instructions included with fixture before beginning installation.



Roughing-In Notes

Fixture dimensions are nominal and conform to tolerances in ASME/ANSI Standard A112.19.1M.

(T) Drain typically 14-3/8".

Cutout	Metal frame recommended.
--------	--------------------------

.85<116