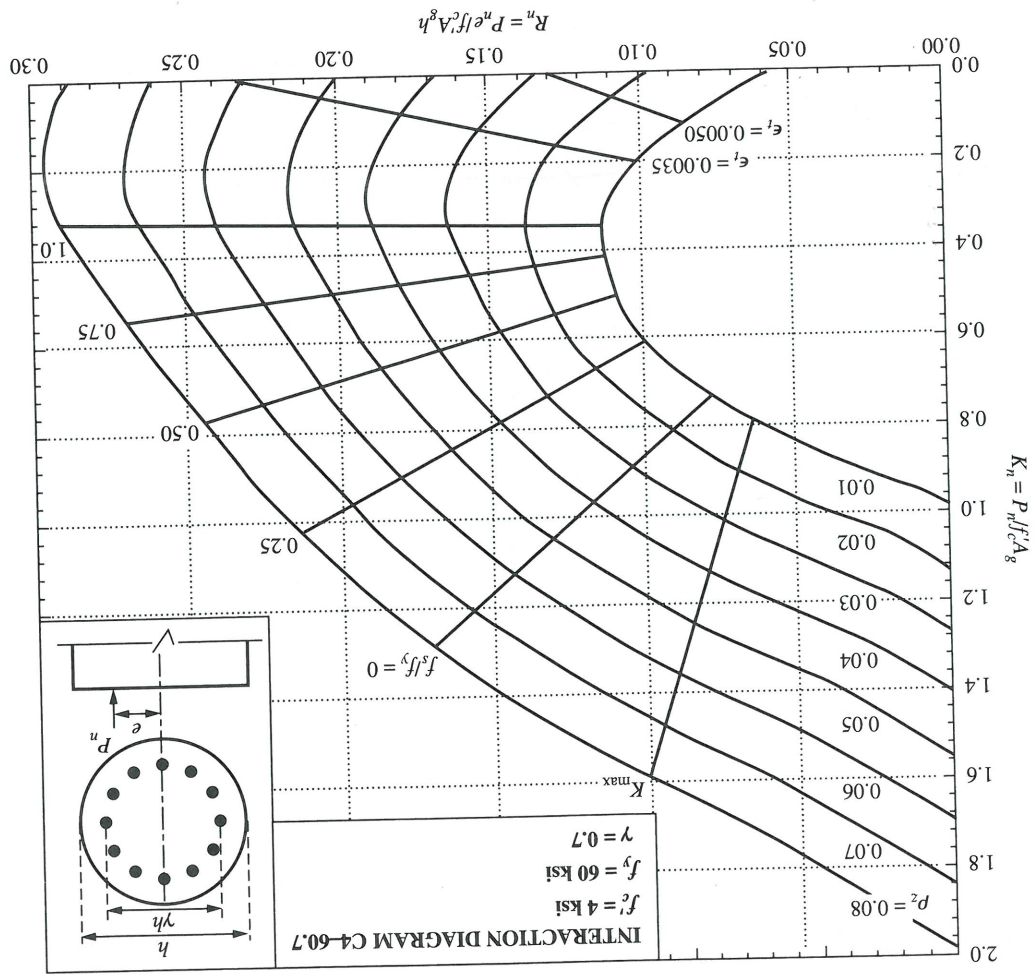


Graph 10 Column interaction diagrams for circular spiral columns.



Graph 11 Column interaction diagrams for circular spiral columns.