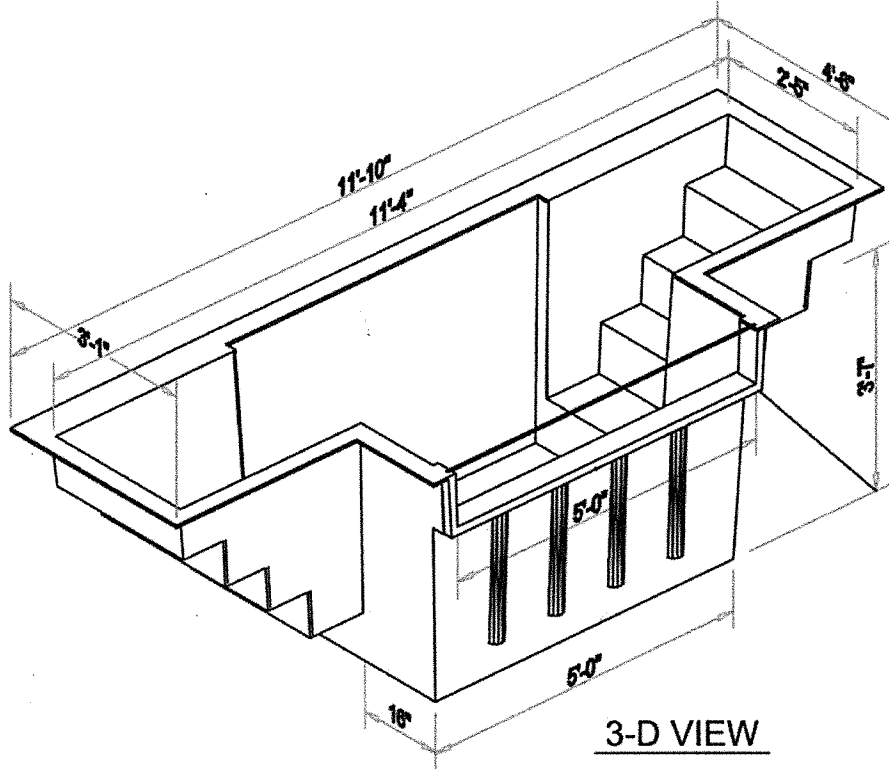


### Baptistry Info.

Width: 4'-6"  
 Length: 11'-10"  
 Depth: 3'-6" Inside  
 Water Capacity: 600 gal.  
 Unit Weight: 270 lb. Dry  
 Recommended Heater:  
 PEB-A 11 kw / Af 2900 / AD 2900  
 Available In Blue, White or Bone

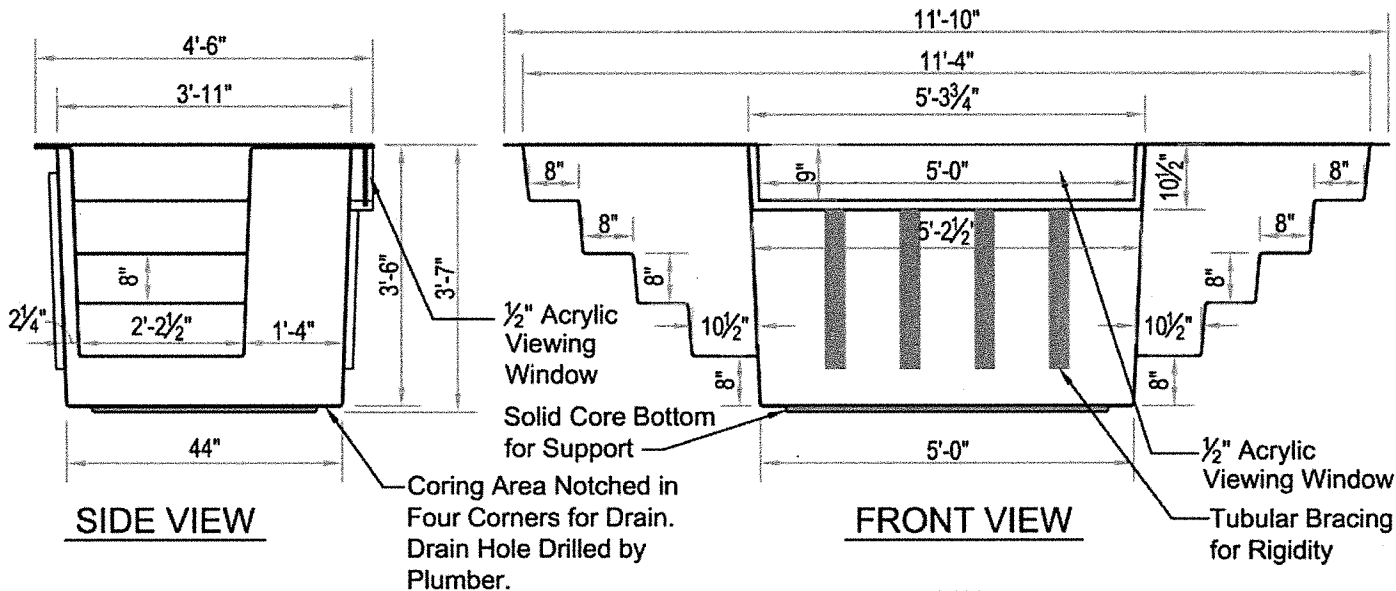
\*\*\*Window is Optional\*\*\*



**3-D VIEW**

### Note:

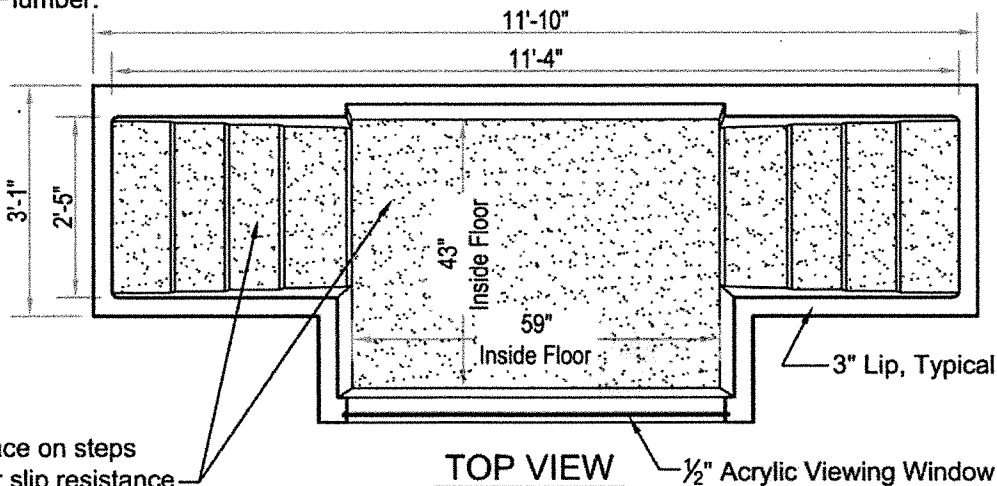
All interior corners are rounded for safety.



**SIDE VIEW**

**FRONT VIEW**

Drains can be Located in Either of the Four Corners



**TOP VIEW**

Drawings are property of Fiberglass Unlimited, Inc.; Dimensions may change slightly to accommodate manufacturing.

**BAPTISTRIES**  
Model 10-A

**Superior Church Furnishings**

1-800-975-2129



## IMPORTANT INFORMATION HOW TO PROPERLY CARE FOR YOUR FIBERGLASS BAPTISTRY

### THINGS YOU SHOULD KNOW ABOUT YOUR BAPTISTRY

FIBERGLASS SPECIALTIES, INC. has built into your baptistry a lustrous gloss finish for the purpose of adding another beauty spot to your church. It is our desire to help you make the sacred rite of baptism more attractive with pleasant, sanitary surroundings. Your baptistry is a quality item and can be kept sparkling clean and sanitary with a minimum amount of effort. It is with utmost care that we have produced your baptistry and it is our desire that this unit gives you good service for many years to come.

#### DURING CONSTRUCTION

Make an effort to see that your baptistry is well protected from building debris and falling objects during completion of your building or remodeling program. **REMEMBER** that no product is indestructible! Although unit molded fiberglass has lent itself well to baptistry design, fiberglass can be cut, punctured, drilled, fractured or scratched and although it is fairly easily repaired, a little precaution will prevent the need for this inconvenience.

#### INTERMEDIATE USAGE

When your baptistry is filled only occasionally, the baptistry should be wiped down after each usage. The floor of the baptistry is flat, so make sure it is dry before entering. Once or twice a year your baptistry should be cleaned with a fiberglass cleaner and waxed with any non-abrasive car wax. If the baptistry is left filled for more than 48 hours harmful bacteria may form and the water may need to be treated so it will be safe for human use. Fiberglass Specialties, Inc. does not sell filters or recommend chemicals necessary to keep water purity up to public standards. **IT IS RECOMMENDED TO EMPTY THE BAPTISTRY AFTER EACH USE.** The wrong combination of chemicals may damage the surface of the baptismal pool.

#### CONSTANT USAGE

Although we have chosen what we believe to be one of the most inert polyesters on the market in the production of your baptistry, all polyesters, if left in constant contact with certain alkalis, will in time react, causing a decomposition of the polyesters. Bacteria and certain algae grow rapidly in water at 95° F. Often an undesirable condition is produced due to this bacterial and plant growth. We strongly recommend the baptistry be emptied after each baptismal service and be cleaned with a cleaner/wax developed for fiberglass products at least twice a year. This care procedure is the best way to insure the beauty of the finish of your baptistry.

**NOTE: IT IS EXTREMELY IMPORTANT THAT YOUR BAPTISTRY BE KEPT CLEAN (FREE OF ANY FORM OF ALGAE) AND WAXED AT LEAST TWICE A YEAR. DECOMPOSITION OF THE POLYESTER BY ALGAE OR BY CHEMICAL CONTACT SHALL BE CONSIDERED MISUSE AND WILL NOT BE COVERED BY THE WARRANTY.**

**CAUTION!** The use of strong detergents, highly caustic cleaners, strong acids and cleaning powders will automatically void your warranty. No water treatment for the prevention of bacterial growth should be used unless guaranteed in writing by the manufacturer to be harmless to polyester resins. Manufacturer's directions for usage should be followed carefully. Powdered or tablet forms should be thoroughly dissolved and liquids should be diluted before being put into the baptistry. FSI recommends usage of any cleaner approved for use with fiberglass. Such cleaners are available in the automotive or marine sections of any hardware, automotive, or Wal Mart store. Carnauba Wax is a recommended way to keep the baptistry surface polished.

**CAUTION!** All electrical outlets should be at least ten feet from your baptistry or as required by electrical codes. Under no circumstances should anyone within the baptistry touch a microphone or other electrical appliance while in the water.

**Fiberglass Specialties, Inc.**

P.O. Box 1340, 500 Austin Ave.

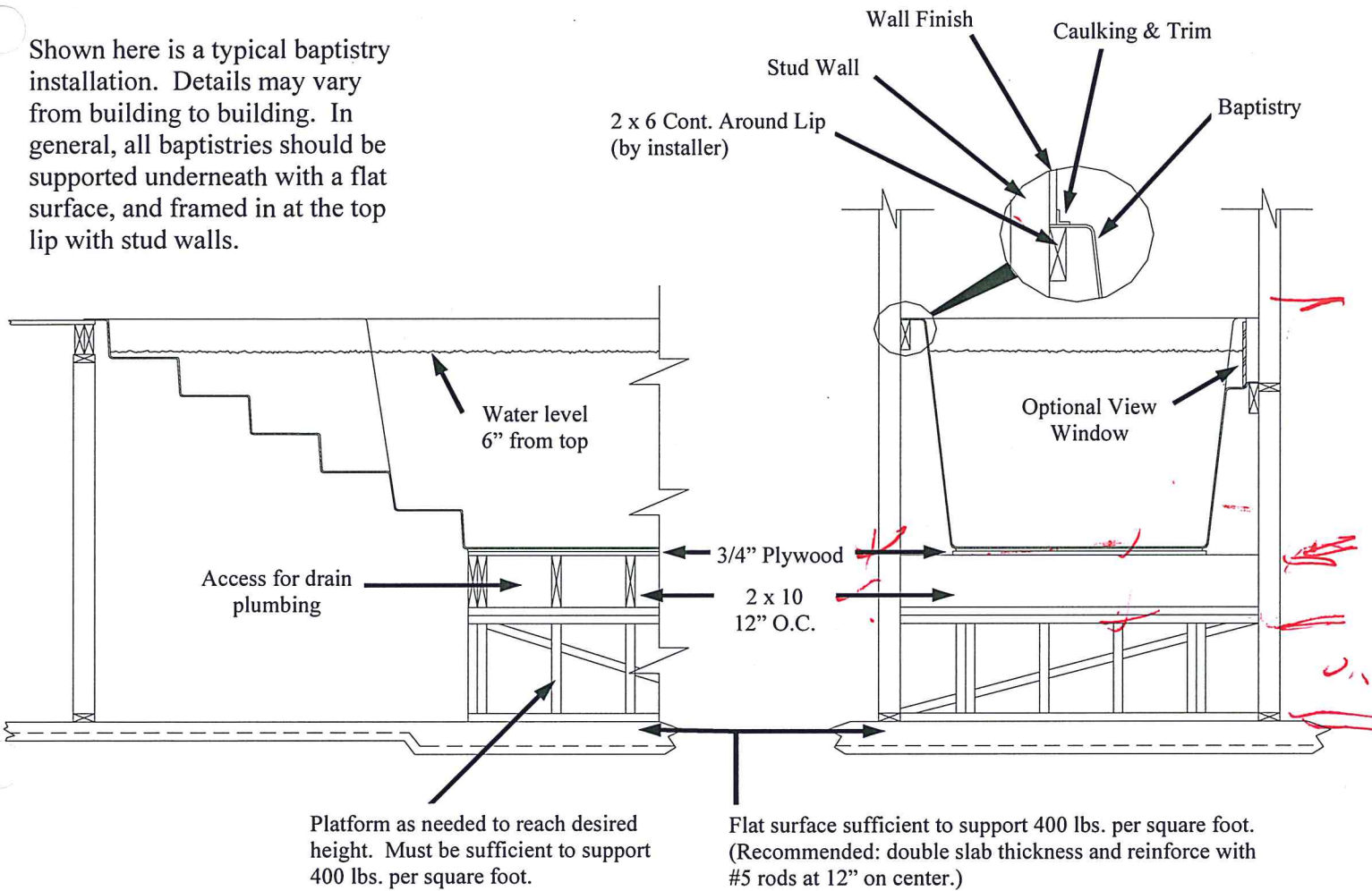
Henderson, Texas 75653

903-657-6522

9/05

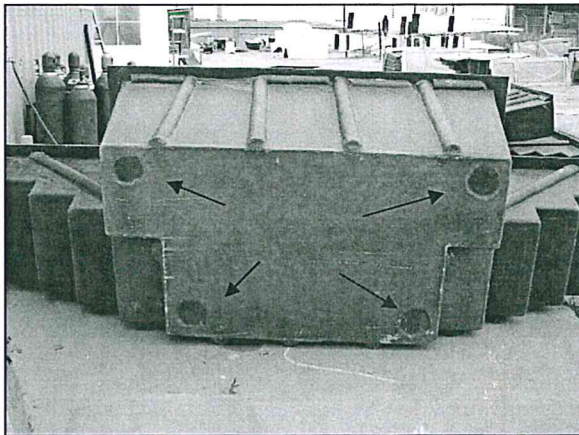
# Baptistry Installation Instructions

Shown here is a typical baptistry installation. Details may vary from building to building. In general, all baptistries should be supported underneath with a flat surface, and framed in at the top lip with stud walls.



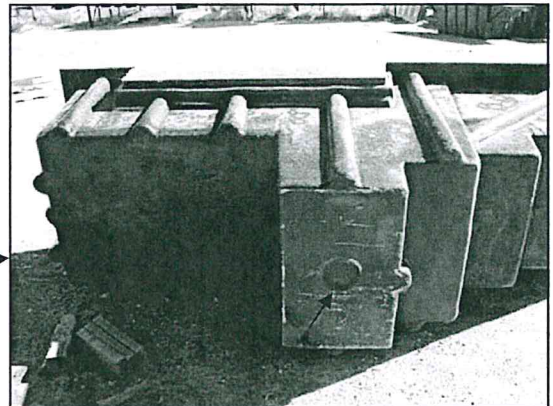
## Important Note on Drain Installation:

The bottom reinforcement has been omitted in selected areas of your baptistry. Generally there are 4 locations, but on some models, like the EZ1, the locations are different. Other drain locations or recessed drain ports must be specified at time of order. **Do not penetrate the reinforced sections of the baptistry floor as this will void the warranty.**



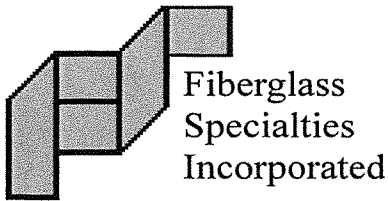
Most pools

EZ-1



### Special Note:

Every attempt is made to assure safe delivery of your order, but in the event an item is damaged by a freight company, the customer must be responsible for filing the claim. Fiberglass Specialties, Inc. will not be responsible for the filing or collection of freight claims for items damaged by common carrier.



## Instructions For Baptistry Window Installation

### Materials Needed:

- 1 – Tube sealant (factory provided)
- 1 – Knife or scissors and a nail (to open sealant tube)
- 1 – Caulking Gun
- 1 – Clean cloth rags or paper towels
- 1 – Acetone (hint: inexpensive fingernail polish remover is acetone)
- 1 – Pressure Blocks (between wall of baptistry & window)
- 2—Small clamps with pads

### 1. Prepare Surfaces

- A. Carefully remove protective paper from window.
- B. Using acetone and a rag, clean the channel where the window will seat.
- C. Using acetone and a rag, clean the edge of the window.
- D. The window and the seating area should now be free of dirt and wax.

### 2. Apply Sealant

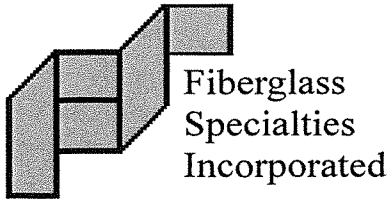
- A. Cut 1" off the tip of the sealant tube. Use a nail to puncture the seal.
- B. Apply a bead 1/2" to 3/4" wide along the surface of the baptistry where the window will seat as shown in Figure A.

### 3. Install the Window

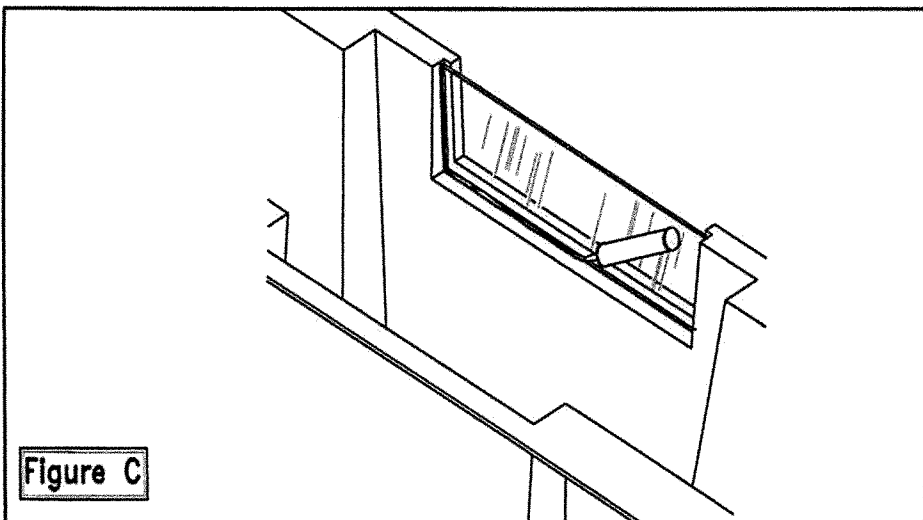
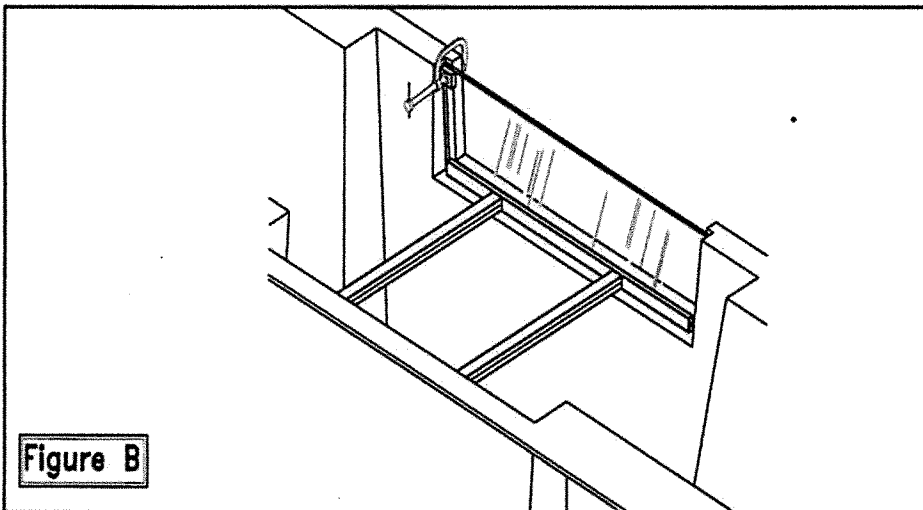
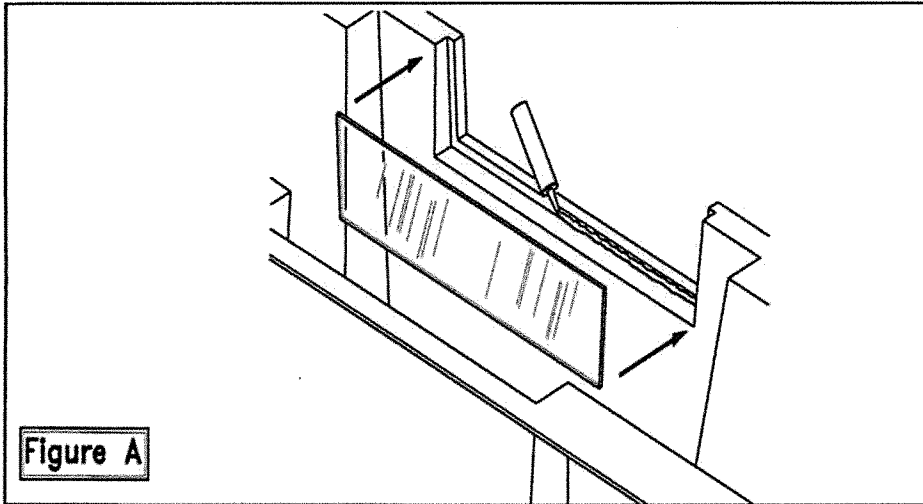
- A. Firmly press the window into place as shown in Figure A.
- B. View the sealant through the window. It should spread evenly over the entire contact surface. There should be few or no air bubbles.
- C. Apply firm pressure all along the contact area, working out any air bubbles.
- D. Use a clean rag to wipe away any excess.
- E. Maintain a constant pressure on the window for a minimum of 12 hours using pressure blocks as shown in Figure B.

### 4. Finish Out

- A. After 12 hours, remove the pressure blocks from the window.
- B. Run a small bead or sealant on the inside and outside of the window.
- C. Smooth out the bead for a clean, uniform appearance.
- D. Allow sealant to dry for 24 hours before filling.



# Instructions For Baptistry Window Installation

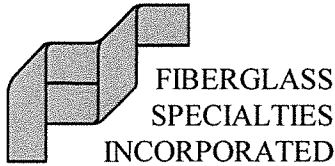


**Fiberglass Specialties, Inc.**  
**500 Austin Avenue**  
**Henderson, TX 75653**  
**800-527-1459**

**Installation Instructions for Overflow Drain**

1. In a convenient location, drill a 2 1/2" diameter hole 4" below the rim of the baptistry and above any accessories (like the pressure switch on the COM-1 System).
2. Smooth hole on both sides.
3. Put the Overflow Drain through the side of the baptistry and hand tighten.
4. Connect the Overflow Drain to the Main Drain outflow system.





## Temperature Rise in a Baptismal Pool

To figure heater size required for a baptistry use the following formula. This is a mathematical equation and does not allow for heat escaping from the pool

**Gallons in baptistry x 8.3 x temperature rise per hour desired / 3413 = KW of heater needed**

Example: The tap water temperature in a building is 66 degrees and there is a need to heat the baptistry to 95 degrees in 4 hours for a EZ1 baptistry. The temperature has to increase 29 degrees (95 – 66 = 29) in 4 hours or 7.25 degrees per hour (29 degrees / 4 hours). The EZ1 holds 350 gallons. 350 gallons x 8.3 x 7.25 degrees per hour rise / 3413 = 6.17 KW heater needed. The AT 55 is a 5.5 KW heater, so it will not heat the baptistry fast enough. The customer will need a CZ 11 heater.

Following are pre-figured values for FSI baptistry models.

EQAS H and S – 5KW				EQAS H and S – 11KW			
Model	Gallons	Hours <u>20 degree</u> Rise	Hours <u>40 degree</u> Rise	Hours <u>20 degree</u> Rise	Hours <u>40 degree</u> rise	Hours <u>20 degree</u> Rise	Hours <u>40 degree</u> rise
T2S	800	6.67	14.29	3.56	7.14		
T2M	865	7.21	15.45	3.84	7.72		
T2L	1050	8.75	18.75	4.67	9.68		
S1	590	4.92	10.54	2.62	5.67		
S2	690	5.75	12.32	3.07	6.16		
MX	705	5.88	12.59	3.13	6.29		
M1	750	6.25	13.39	3.33	6.70		
M2	795	6.63	14.20	3.53	7.10		
MINI	490	4.08	8.75	2.18	4.38		
R1	715	5.96	12.77	3.18	6.38		
R2	850	7.08	15.18	3.78	7.59		
EZ1	350	2.92	6.25	1.56	3.13		
EZ2	465	3.88	8.30	2.08	4.15		