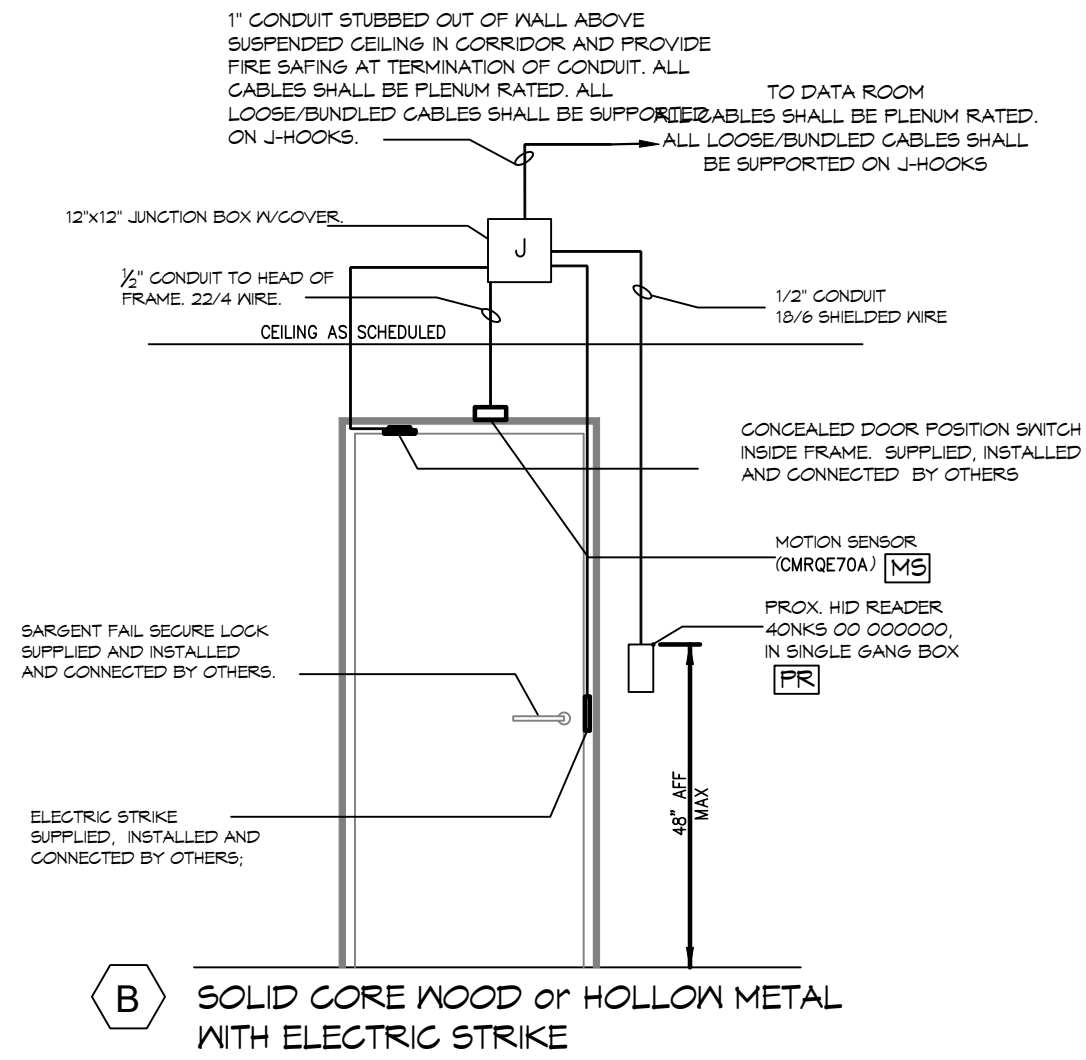


A SOLID CORE WOOD or HOLLOW METAL WITH ELECTRIC STRIKE

DOOR(s)			
219	221	237	

SUPPLIED AND INSTALLED BY OTHERS:

- CONTINUOUS HINGE HG-305 X KMP55 X 83.125 OA
- MORTISE LOCK ML2051 - LNA X CTR 626
- ELECTRIC STRIKE 1006CAS-12/24D-630
- DOOR POSITION SWITCH BK DPS-M-BK
- WIRING HARNESS QC-C1500P
- POWER SUPPLY AGD1

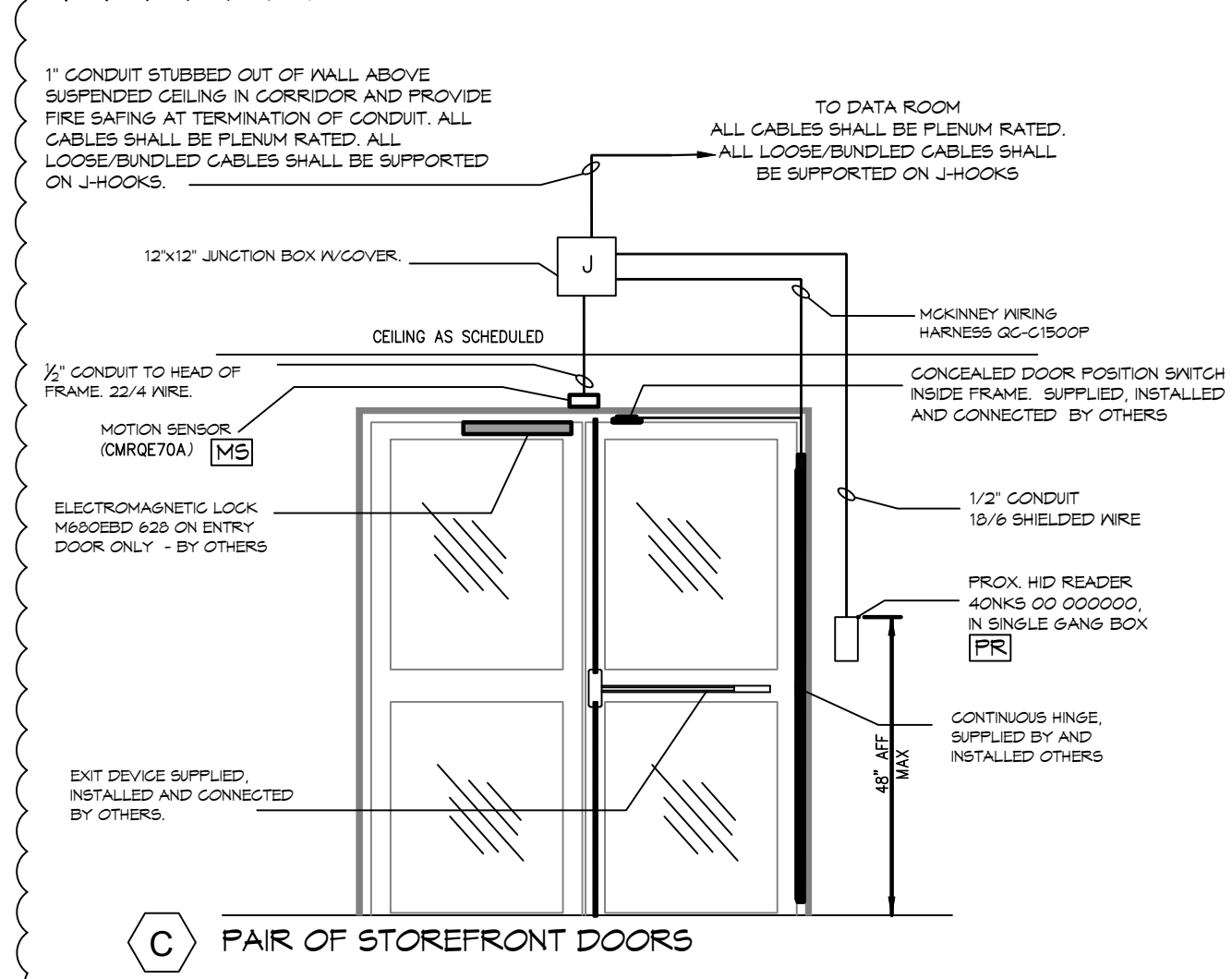


B SOLID CORE WOOD or HOLLOW METAL WITH ELECTRIC STRIKE

DOOR(s)			
231	238B	214	241

SUPPLIED AND INSTALLED BY OTHERS:

- ELECTRIC STRIKE 1006CAS 12/24D 630
- DOOR POSITION SWITCH DPS M BK
- WIRE HARNESS QC C1500P
- POWER SUPPLY AGD1

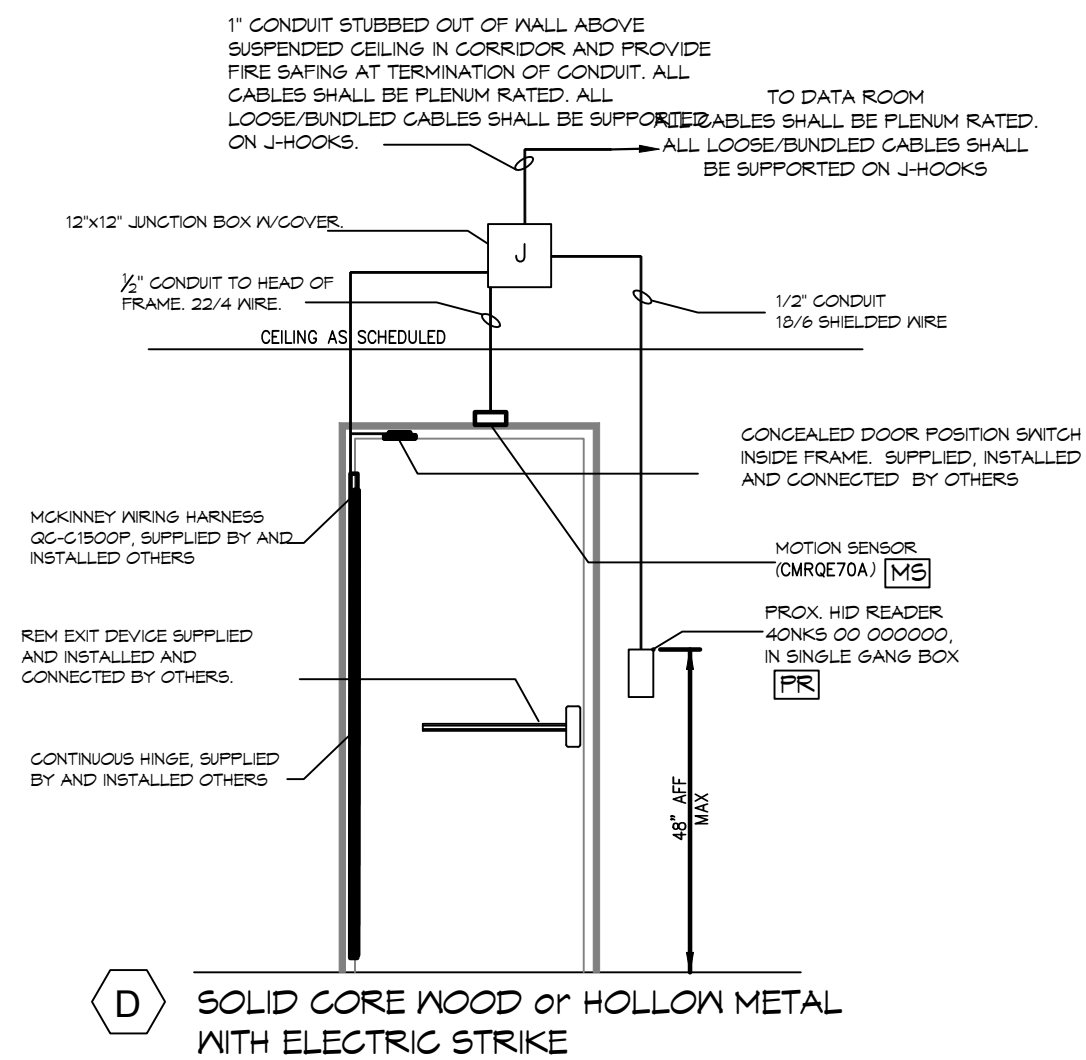


C PAIR OF STOREFRONT DOORS

DOOR(s)			
210	230a	250	

SUPPLIED AND INSTALLED BY OTHERS:

- CONTINUOUS HINGE 630 HG-305 X KMP55 X EL-12 X 83.125 OA
- EXIT DEVICE ED5410B X DEVICE ONLY X M92 X M048 X M55 X MELR 5VR 630
- ELECTROMAGNETIC LOCK M680EBD 62B
- AUTO OPERATOR AUTOMATIC OPERATOR
- DOOR POSITION SWITCH BK DPS-M-BK
- ACTUATOR 100
- WIRING HARNESS QC-C1500P
- WIRING HARNESS QC-C006P
- POWER SUPPLY AGD2

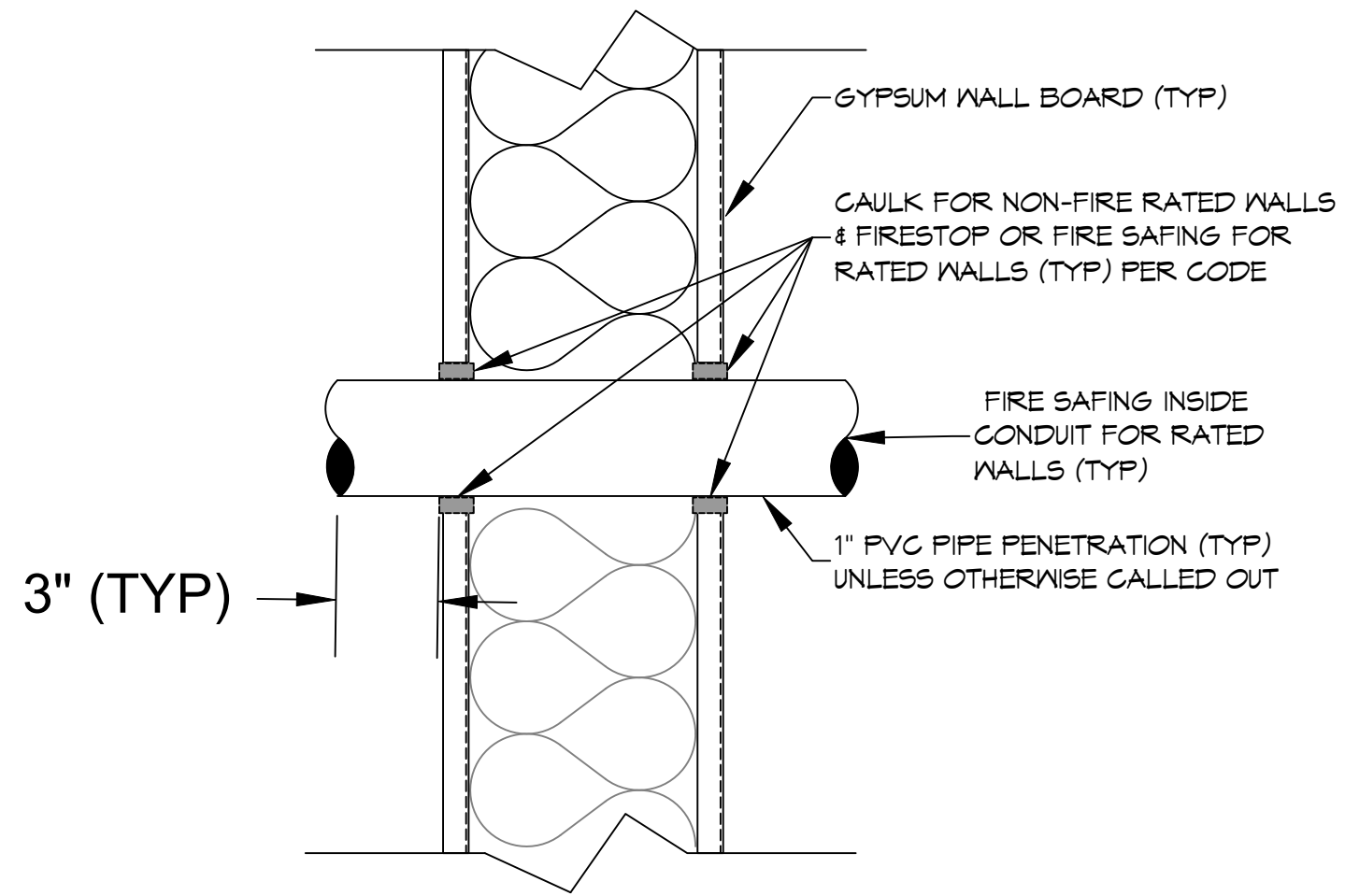


D SOLID CORE WOOD or HOLLOW METAL WITH ELECTRIC STRIKE

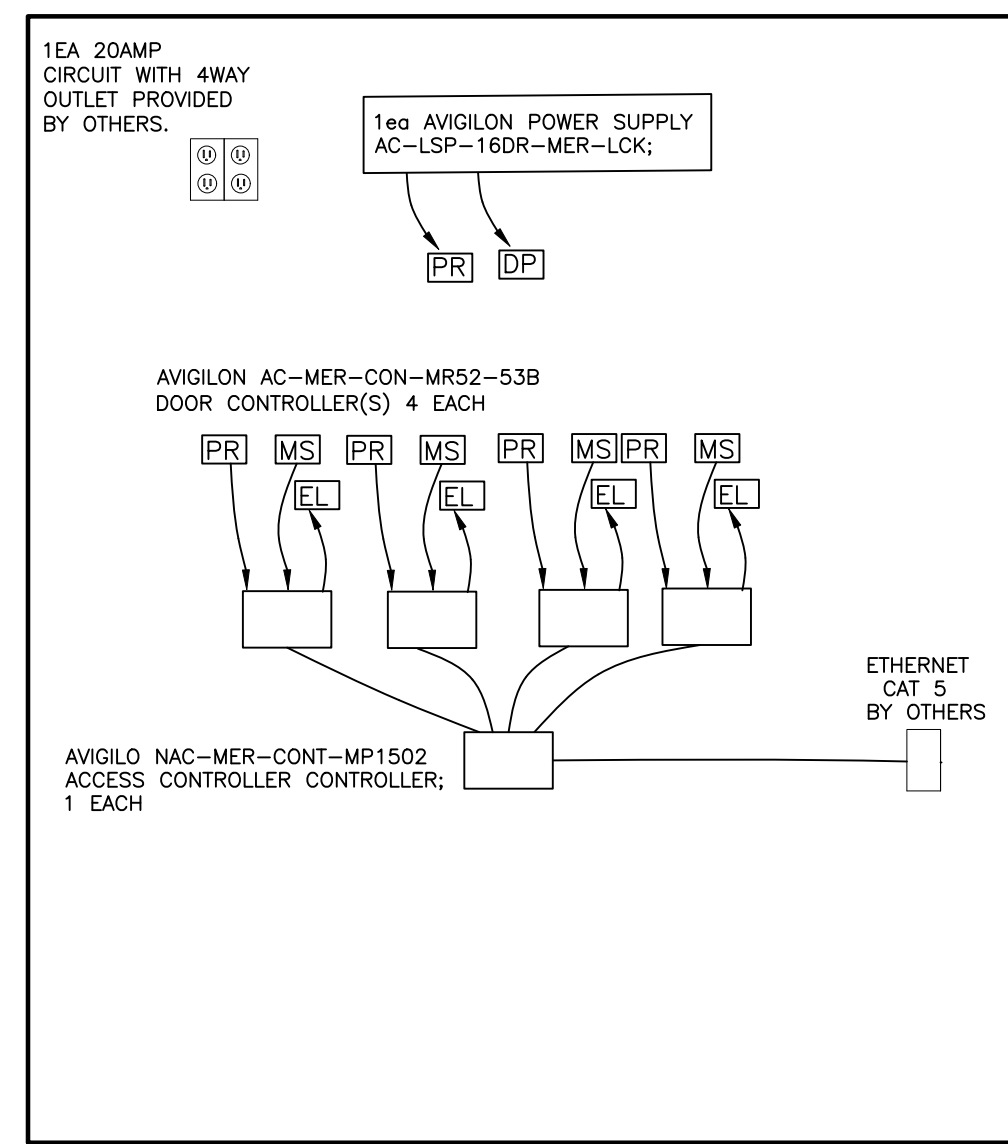
DOOR(s)			
215			

SUPPLIED AND INSTALLED BY OTHERS:

- CONTINUOUS HINGE HG-305 X KMP55 X EL-12 X 83.125 OA
- RIM EXIT DEVICE ED5200A X L990BET
- DOOR POSITION SWITCH DPS-M-BK
- WIRING HARNESS QC-C1500P
- WIRING HARNESS QC-C006P
- POWER SUPPLY AGD



TYPICAL PIPE SLEEVE PENETRATION DETAIL



Data/Comm Room E102 EQUIPMENT ELEVATION

ACCESS CONTROL SYMBOL LEGEND

- [PR] = PROX. HID READER
- [MS] = MOTION SENSOR
- [DP] = DOOR POSITION SWITCH - BY OTHERS.
- [EH] = ELECTRIC HINGE - BY OTHERS.
- [EL] = ELECTRIC RELEASE LEVER - BY OTHERS
- [J] = 12"x12" JUNCTION BOX

DAMMON ENGINEERING, INC.
LOUISIANA & MISSISSIPPI
www.dammonengineering.com
info@dammonengineering.com
554 Old Spanish Trail
Slidell, LA 70458
PH: 985.649.5832

REVISIONS	DATE
1	12/4/2025
2	2/9/2026

DESCRIPTION:
1 CCD #10 - add doors 214, 241 and 250;
remove doors 234&6;
2 Add Maglock on door detail for 210, 230a
4 250

SEAC:

DATE:	4/25/2025
DRAWN BY:	BAK
CHECKED BY:	

SECURITY ACCESS
NORTH OAKS ENDOSCOPY
1870 PAUL VESPA RD DR.
HAYMOND, LA 70403
JOB No: 2516 DATE: 4/25/2025
DRAWN BY: BAK
CHECKED BY:

SHEET TITLE:
DOOR DETAILS

DRAWING NUMBER:
SEC 0.1

SHEET No: 13 of #