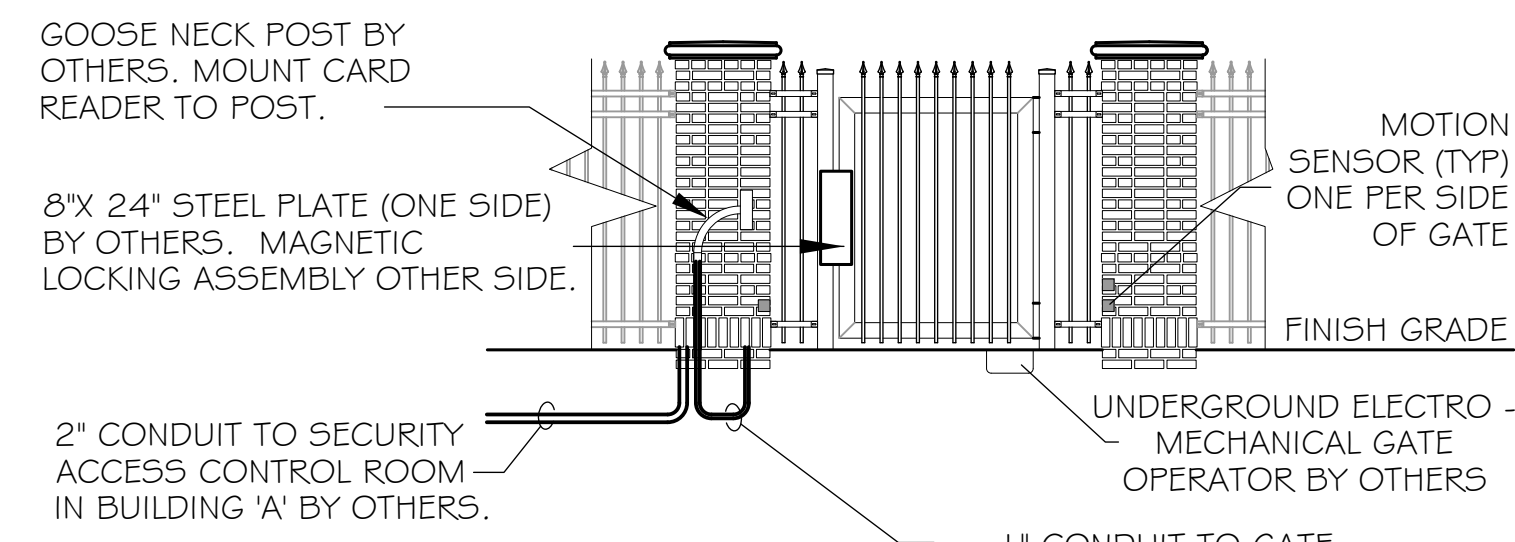
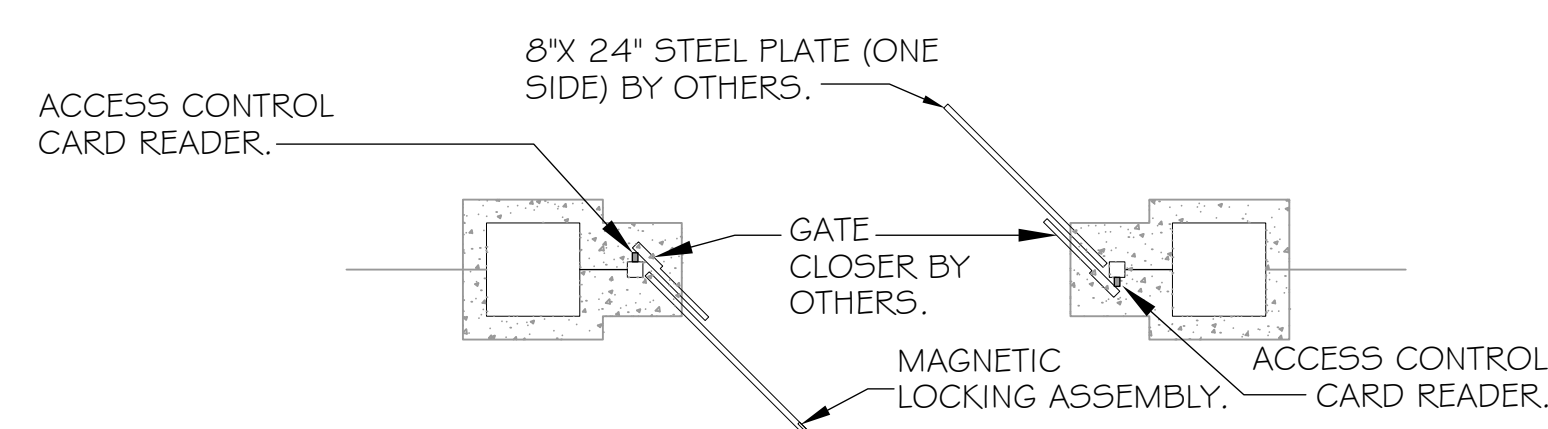


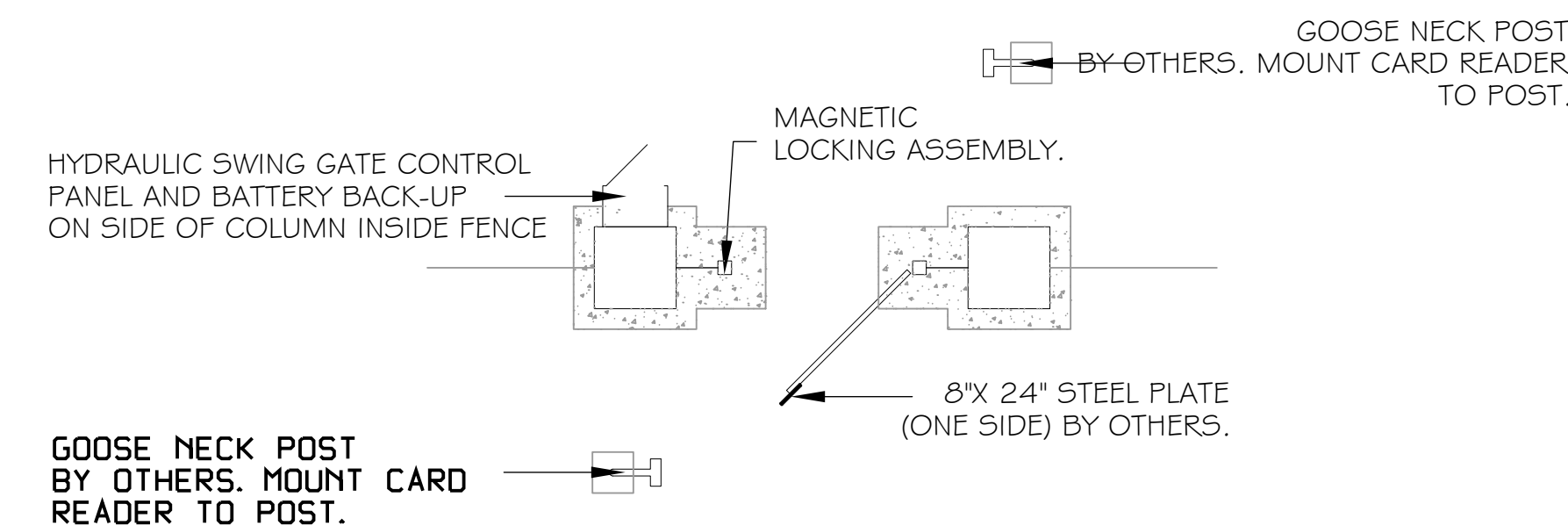
ELEVATION VIEW



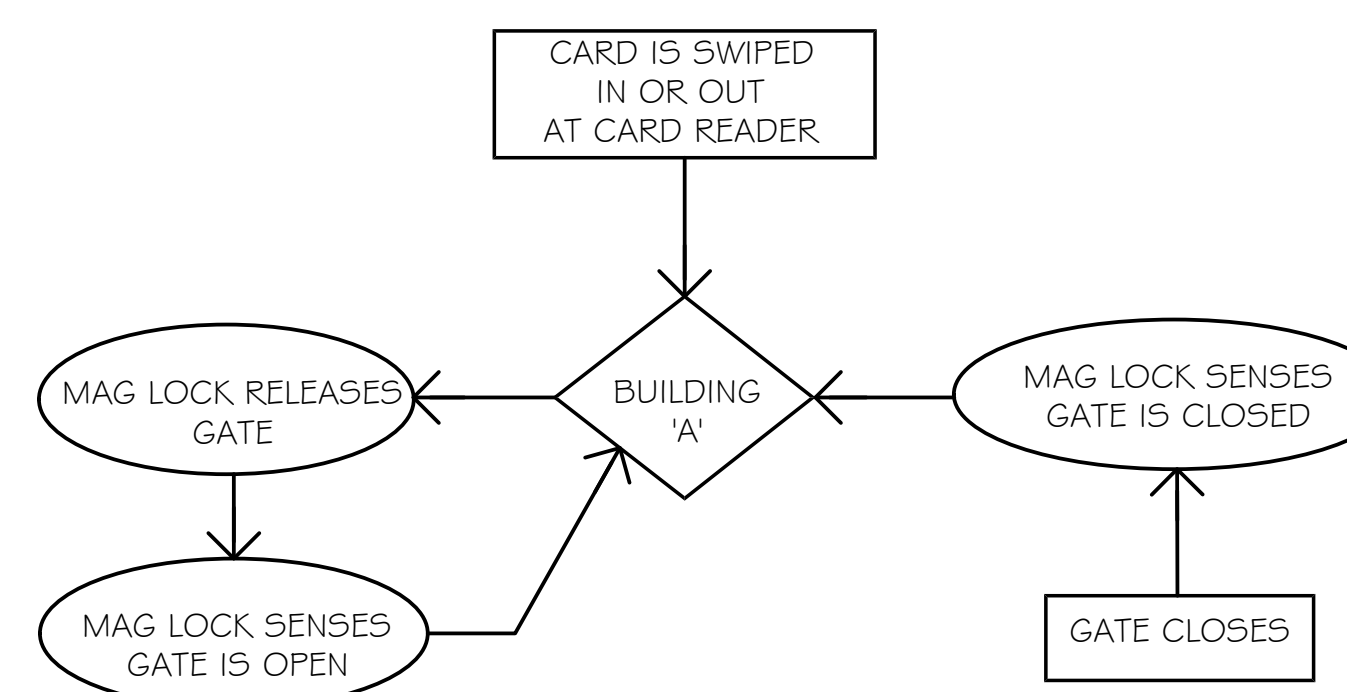
ELEVATION VIEW



MAINTENANCE GATE PLAN VIEW



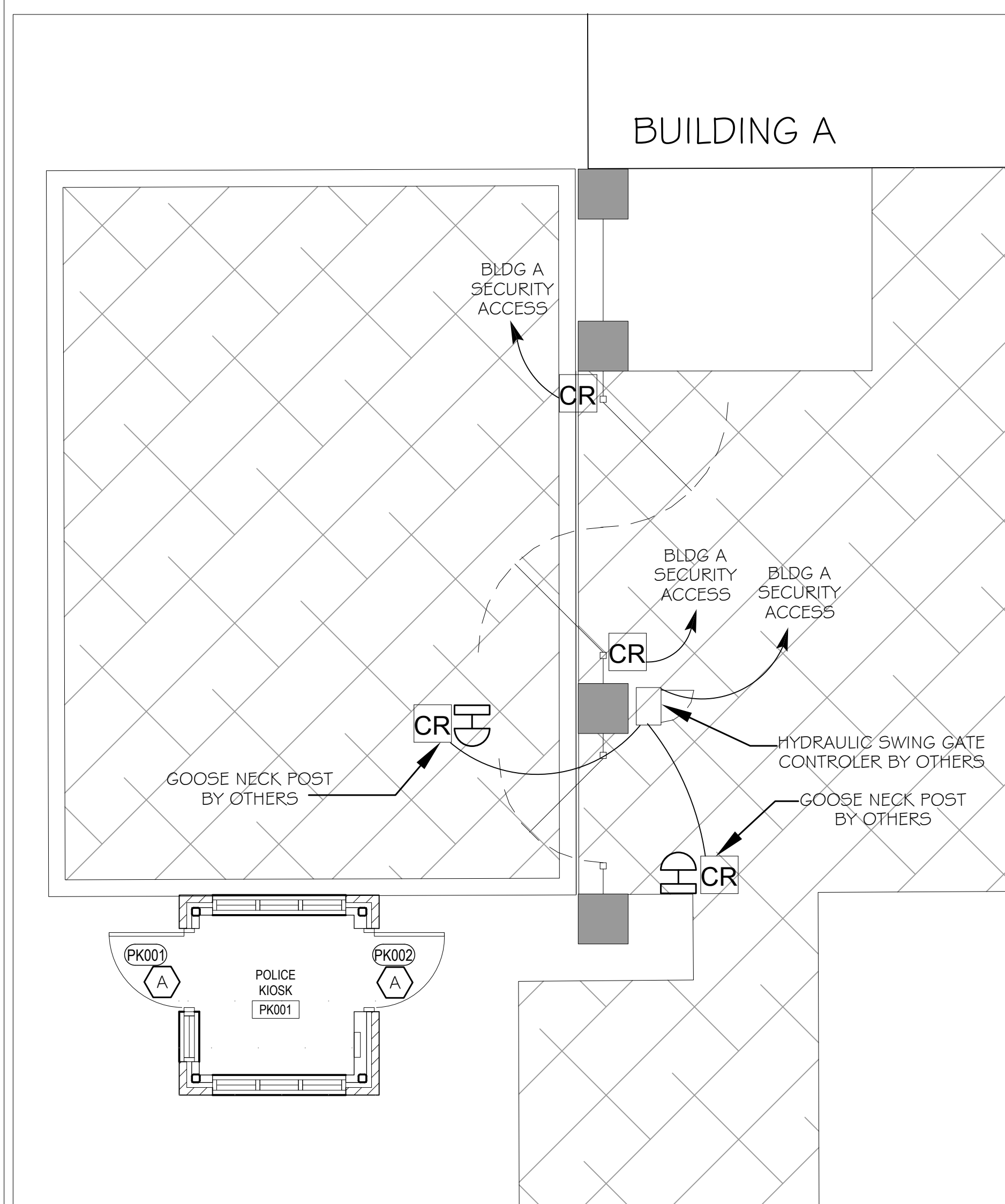
PERSONNEL GATE PLAN VIEW



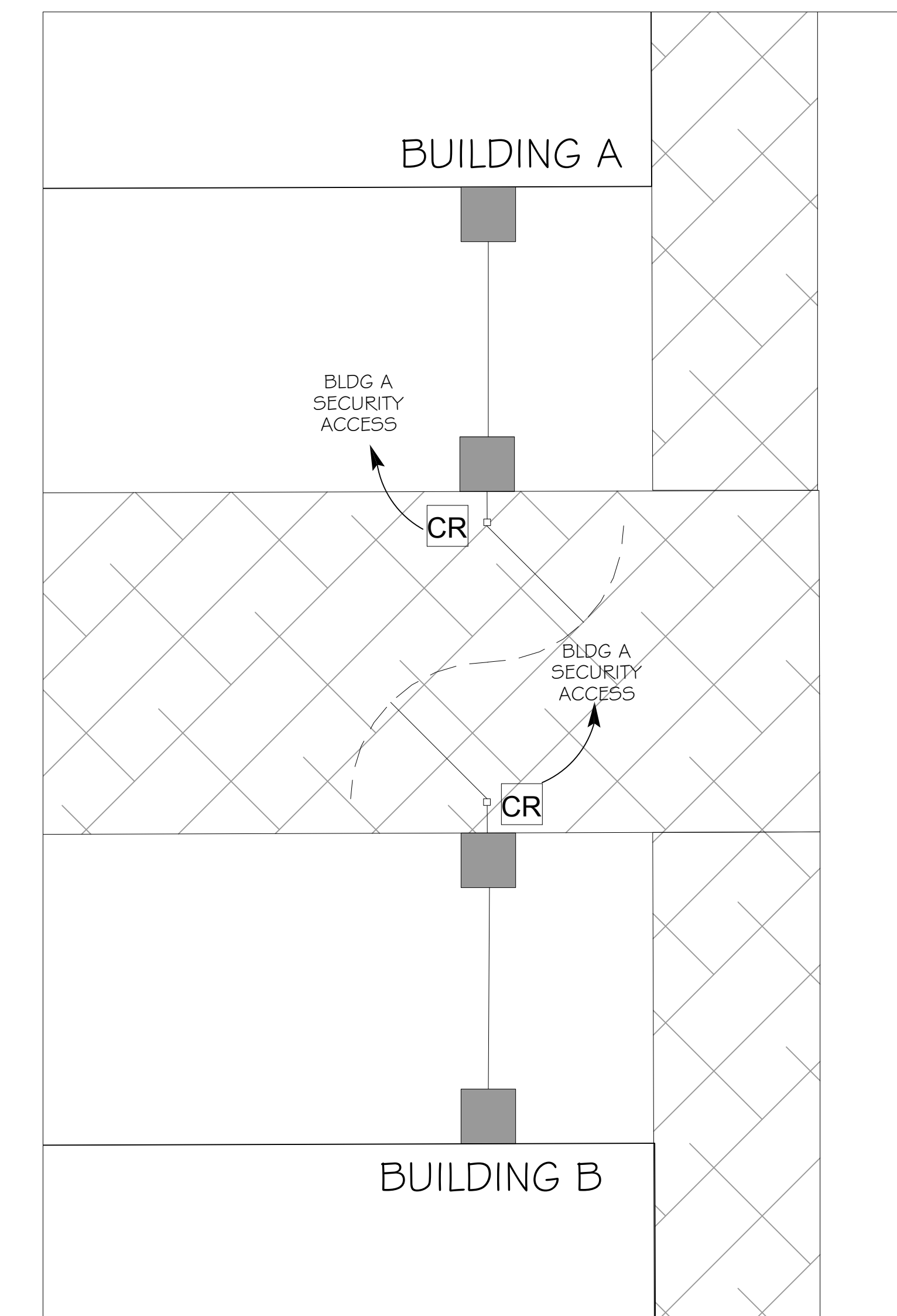
ACCESS CONTROL SYMBOL LEGEND

- CR = PERSONA W644 READER
- I = ALPHONE INTERCOM
- Z = BOX AND WIRING FOR FUTURE ADA DOOR ACCESS DEVICE.
- U = PUSHBUTTON DOOR OPERATOR SUPPLIED AND CONNECTED BY OTHERS.
- PA = THE PUBLIC ADDRESS HEAD-END SYSTEM SHALL BE INTERCONNECTED THROUGH THE TELEPHONE SYSTEM VIA AN TECH "BACK BOX" TO PROVIDE FOR MASS NOTIFICATION PAGES FROM OUTSIDE THIS BUILDING.
- S = PUBLIC ADDRESS SPEAKER, CEILING MOUNTED S68T725P65WVX. VERIFY LOCATION WITH ARCHITECT.
- SECURECAM EXIT SIGN SCI-MC700 HPF EX-600 DWDR SINGLE LENS. VERIFY LOCATION WITH ARCHITECT.
- SECURECAM EXIT SIGN SCI-MC700 HPF EX-600 DWDR DOUBLE LENS. VERIFY LOCATION WITH ARCHITECT.
- SECURECAM EXIT SIGN, NO CAMERA. VERIFY LOCATION WITH ARCHITECT.
- SECURECAM SMOKE DETECTOR SCI-MC700 HPF SD-600 DWDR DOUBLE LENS. VERIFY LOCATION WITH ARCHITECT.
- SECURECAM MOTION SIGN SCI-MC700 HPF FR-600 DWDR SINGLE LENS. VERIFY LOCATION WITH ARCHITECT.
- OV SOLUTIONS ELEVATOR CORNER CAMERA C-ACM 620. COVERT CONCEALED CAMERA.
- CLINTON ELECTRONIC DOME CAMERA, CE-D953. VERIFY LOCATION WITH ARCHITECT.
- BOX/BULLET CAMERA. VERIFY LOCATION WITH ARCHITECT.
- FIRE RATED WALL. SEE ARCHITECTURAL PLANS FOR HOURS RATED.
- FIRE RATED WALL. SEE ARCHITECTURAL PLANS FOR HOURS RATED.
- DOOR DETAIL, SEE SEC 0.2
- MORTIS LOCK PERSONA VCP 40554626
- READER PERSONA W644
- READER PERSONA W644; SECURITRON DOOR POSITION SWITCH
- READER PERSONA W644; SECURITRON DOOR POSITION SWITCH; MOTION SENSOR BEA R2E-100
- READER PERSONA W644; SECURITRON DOOR POSITION SWITCH; ELECTRIC STRIKE HES 10064626
- READER PERSONA W644; SECURITRON DOOR POSITION SWITCH; MOTION SENSOR BEA R2E-100; ELECTRIC STRIKE HES 10064626
- READER PERSONA W644; SECURITRON DOOR POSITION SWITCH; ALPHONE JMS-4A2P
- READER PERSONA W644; ELECTRIC STRIKE HES 10064626
- ELECTRIC STRIKE HES 10064626
- SECURITRON DOOR POSITION SWITCH
- SECURITRON DOOR POSITION SWITCH; MOTION SENSOR BEA R2E-100
- RIM CYLINDER L5A USM KEYWAY

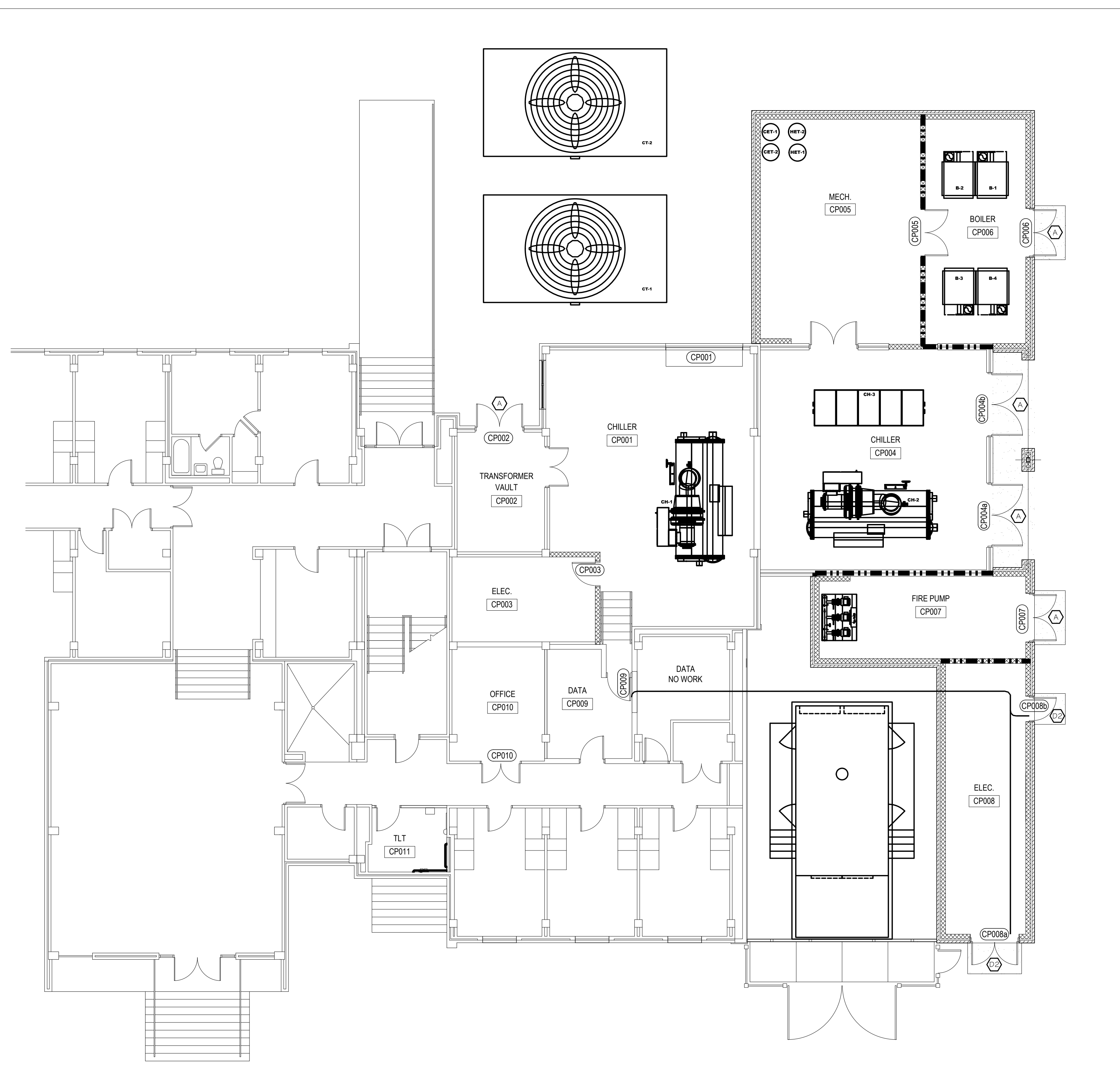
GATE SECURITY ACCESS DETAILS
SCALE: 1/4" = 1'-0"



POLICE KIOSK SECURITY ACCESS PLAN
SCALE: 1/4" = 1'-0"



MAINTENANCE GATE SECURITY ACCESS PLAN
SCALE: 1/4" = 1'-0"



CENTRAL PLANT SECURITY ACCESS PLAN
SCALE: 1/8" = 1'-0"

#	DESCRIPTION	REVISIONS	DATE



IDN-Acme Incorporated
1504 Justin R. McTear, LA
70001-5955

CENTRAL PLANT
POLICE KIOSK
SECURITY
GATES

SHEET No: 3 OF 20

SEC-0.2