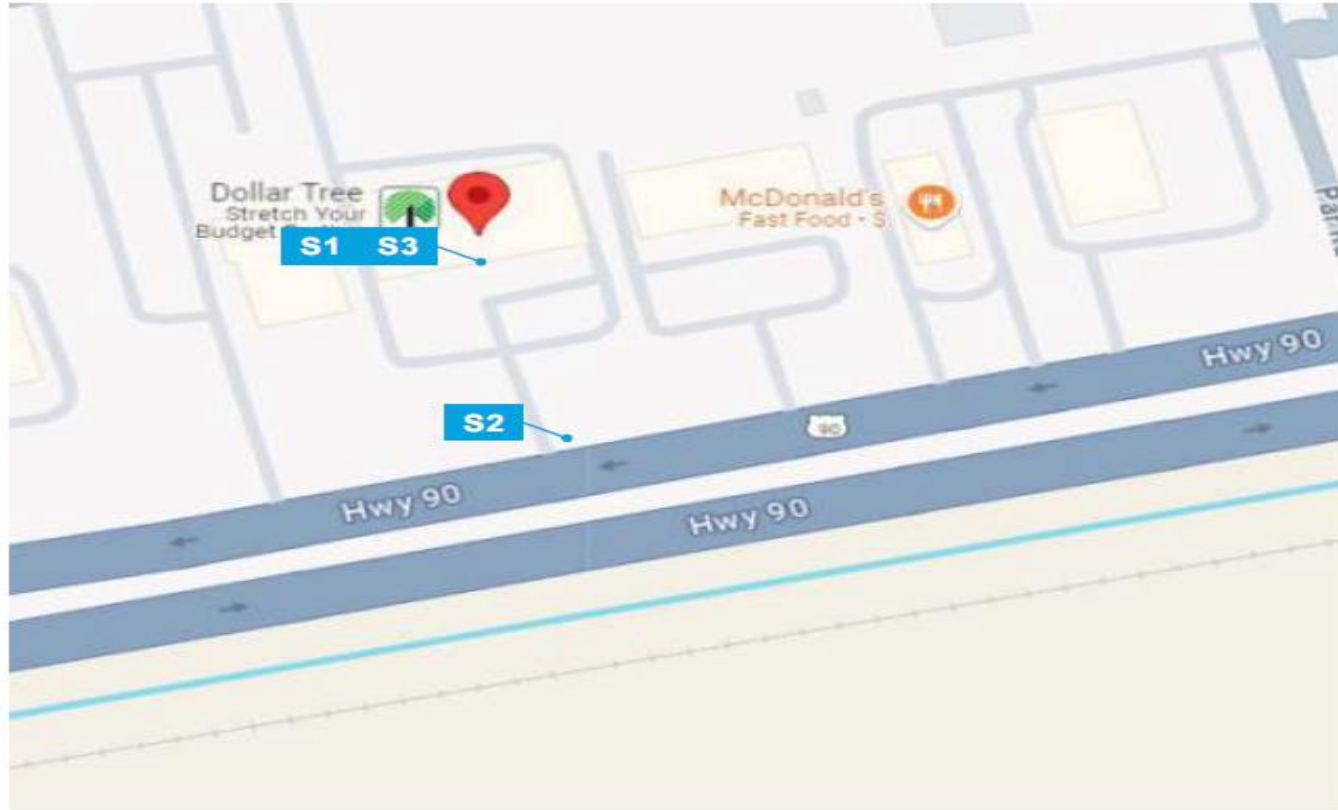




## LOCATION BRANDING DOCUMENT

Site Name: Bayou Vista  
City/State: MORGAN CITY, LA  
Address: 1109 US Hwy 90 East  
Creation Date: 10-11-2024  
Revised: 10-23-2024  
10-28-2024  
10-31-2024

# Site Plan



**Revisions:**

Update BB as per request - ZB  
Update BB as per request - RB

**CUSTOMER APPROVAL**

Customer Signature \_\_\_\_\_

Date \_\_\_\_\_

Date: 10-11-2024

Designer: ZB PM: VM

City/State: MORGAN CITY, LA

Address: 1109 US Hwy 90 East

Drawing # **PRJ-ATT-191351-R2**

Site ID **Bayou Vista**

# S1 Illuminated CL

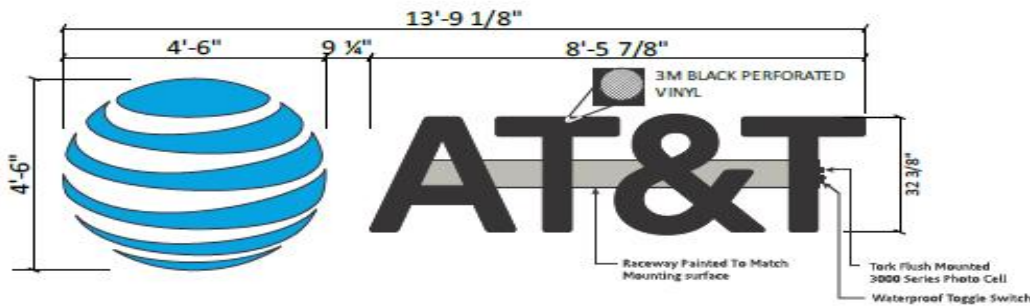
Install new 54" globe, 32 3/8" letters flush raceway mounted. Centered horizontally in the leased. Sign band color: SW 9662 / STUCCO FINISH



**Globe Vinyl Application**  
Not To Scale

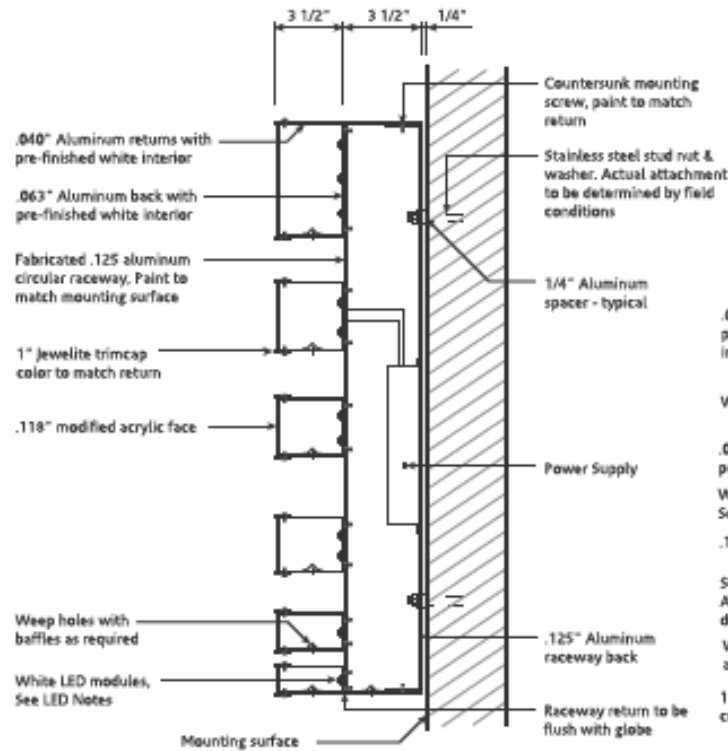


**Letters Vinyl Application**  
Not To Scale



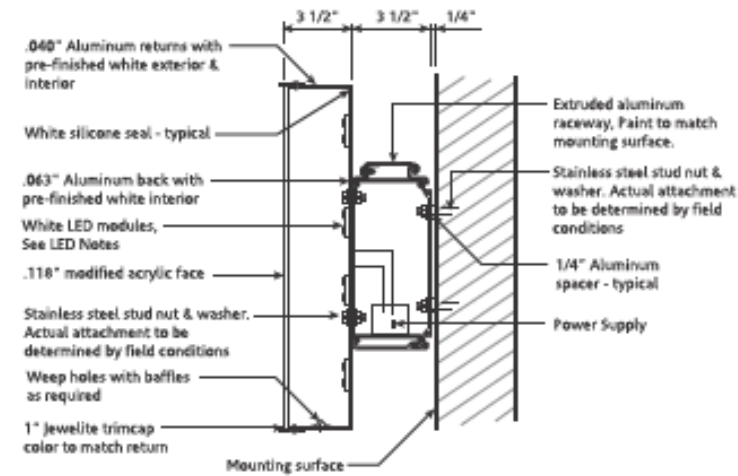
**Illum. Raceway Black Letters & Blue Globe - Horizontal Layout**

Scale: 1/4" = 1'-0"



**Typical Globe Section**

Not To Scale



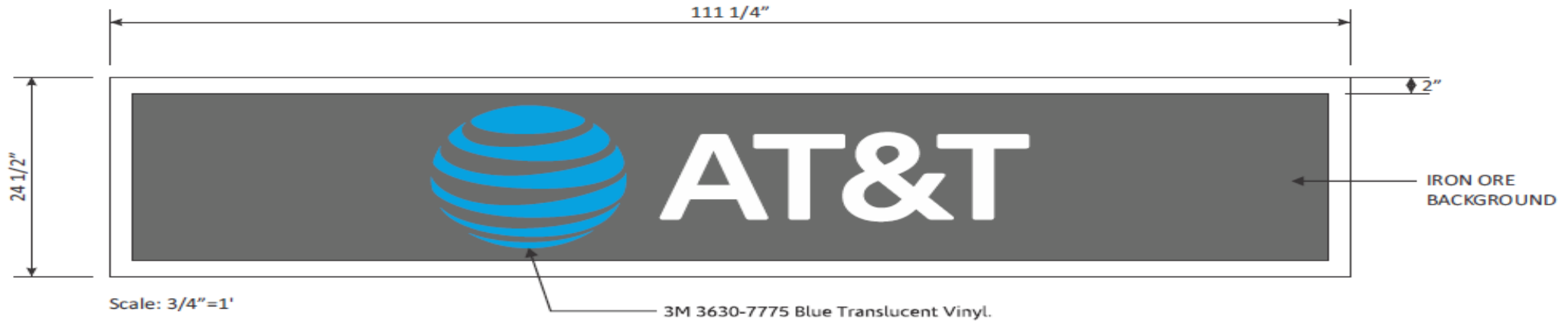
**Typical Letter Section**

Not To Scale

## S2 Tenant Panel (Qty. 2)

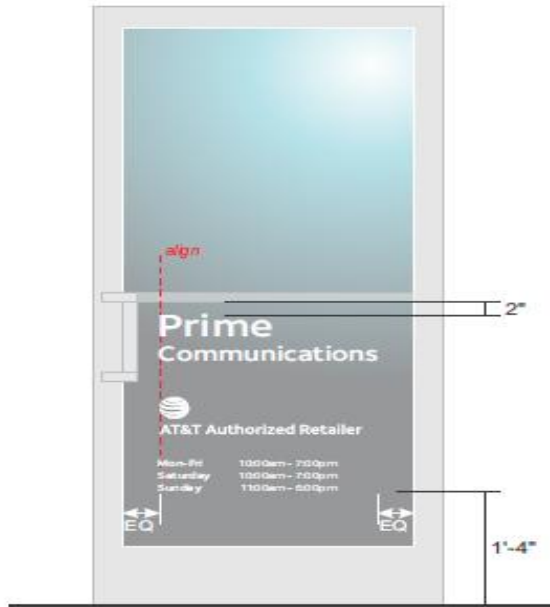
Install new White Lexan faces with first surface vinyl decoration as shown.

Face Replacements Only



### S3 Single Door (First Surface Vinyl)

Install new 3M #7725-10 white vinyl, first surface.  
Store hours to be verified prior to manufacturing.



Scale: 1/2" = 1'-0"



Scale: 1 1/2" = 1'-0"

**STORE HOURS TO BE CONFIRMED**