

BUILDING BRANDING | NORTH ELEVATION OVERVIEW | WHITE DAY LETTERS

B1, C1-6

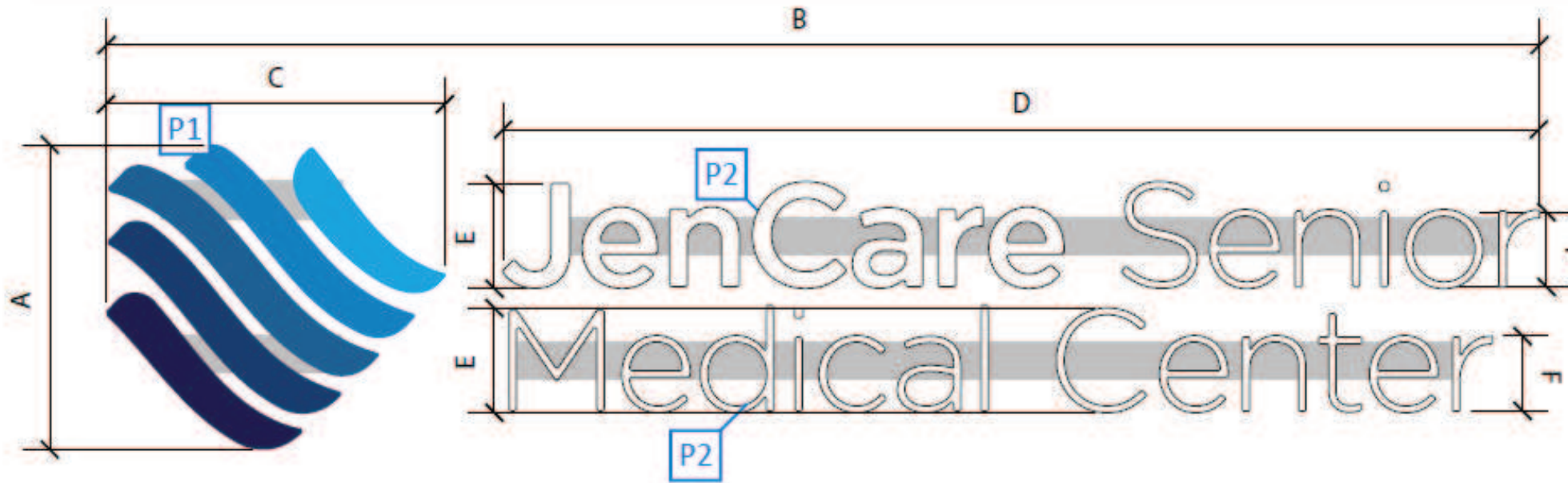


PROPOSED

- B1** Remove and dispose of existing lettersets.
Patch and Paint from previous signage.
Install Qty (1) ONE NEW White channel letters with logo on front.
Letters raceway mount.
- C1** Provide and Install New Wave vinyl.
Per code: 25% of OA windows.
- C2** Provide and Install New Wave vinyl.
Per code: 25% of OA windows.
- C3** Provide and Install New Wave vinyl.
Per code: 25% of OA windows.
- C4** Provide and Install New Door Vinyl.
- C5** Provide and Install New Wave vinyl.
Per code: 25% of OA windows.
- C6** Provide and Install New Wave vinyl.
Per code: 25% of OA windows.

*This sign is designed to withstand 130 MPH wind load.
*This sign will contain a UL label.
*This sign is to be installed using 3/8" thru-bolts or appropriately sized hardware as necessary.
*Channel letters are to be attached to raceway using typical non-corrosive screw in anchors.

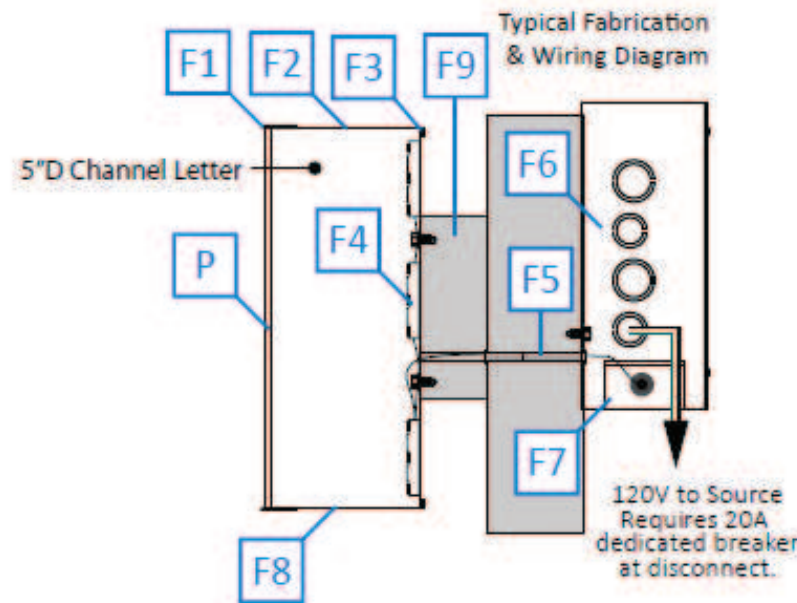




| | Overall Height A | Overall Width B | Icon Width C | Copy Width D | Upper Case "C" E | Lower case "P" F | Minimum Stroke "I" | Square Footage Box Measured |
|----------------|---------------------|--------------------|-----------------|-----------------|---------------------|---------------------|-----------------------|--------------------------------|
| 5'H Horizontal | 5'-0" | 23'-6 1/2" | 5'-6 1/4" | 17'-0 1/4" | 1'-8 1/2" | 1'-2 1/4" | 1 1/8" | 117.71 |

Face-Lit Channel Letter Set Raceway Mounted

- P1 1st surface digitally printed 1/8" white acrylic with color to match ChenMed approved color menu.
- P2 1/8" white acrylic.
- F1 1" Trimcap attached to return w/#8 Metal screw every 12" Minimum. Black
- F2 .040 Aluminum returns. Painted Semi-Gloss Black.
- F3 .063 Aluminum Backer
- F4 12V Principle LED's Suitable for wet locations
- F5 Weather proof Pass thru for low voltage wire
- F6 Electrical Box
- F7 LED Premium Power Supply. IP68 Waterproof 120-277
- F8 Weep Holes
- F9 6" H X 2" Deep Raceway painted to match building fascia.



| |
|---|
| BLACK R0 R0 R0 |
| PANTONE COATED 274 C PANTONE UNCOATED 274 U C 100 M 00 Y 33 K 35 R 33 G 22 B 41 R 31 0 0 1 |
| PANTONE COATED 654 C PANTONE UNCOATED 654 U C 100 M 0 0 Y 31 K 17 R 0 G 35 B 11 R 0 3 1 7 0 |
| PANTONE COATED 647 C PANTONE UNCOATED 647 U C 50 M 2 Y 30 K 4 R 33 G 36 B 14 R 3 16 0 0 |
| PANTONE COATED 760 C PANTONE UNCOATED 760 U C 100 M 10 Y 14 K 0 R 0 G 13 B 13 R 0 0 4 3 1 |
| PANTONE COATED 394 C PANTONE UNCOATED 394 U C 50 M 1 Y 10 R 0 G 18 B 22 R 0 0 0 0 1 |

- *This sign is designed to withstand 130 MPH wind load.
- *This sign will contain a UL label.
- *This sign is to be installed using 3/8" thru-bolts or appropriately sized hardware as necessary.
- *Channel letters are to be attached to raceway using typical non-corrosive screw in anchors.

