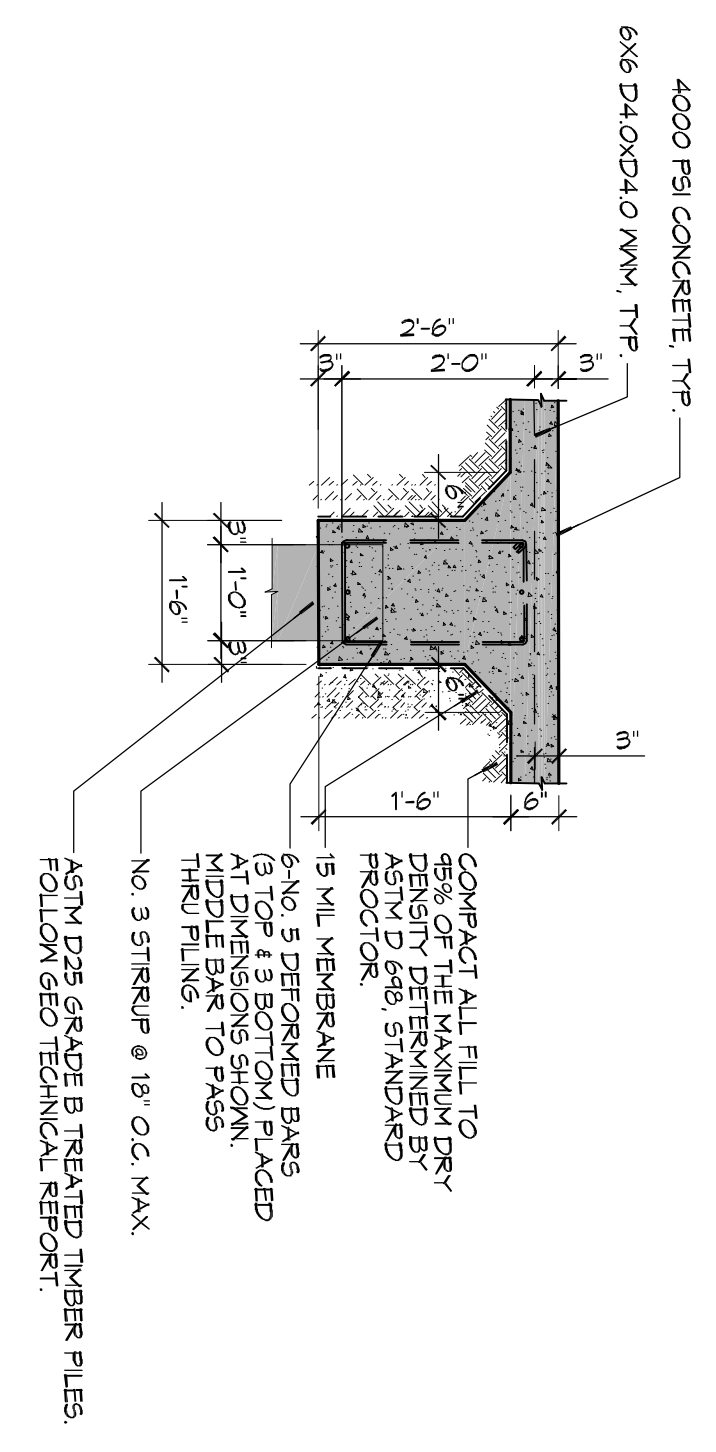
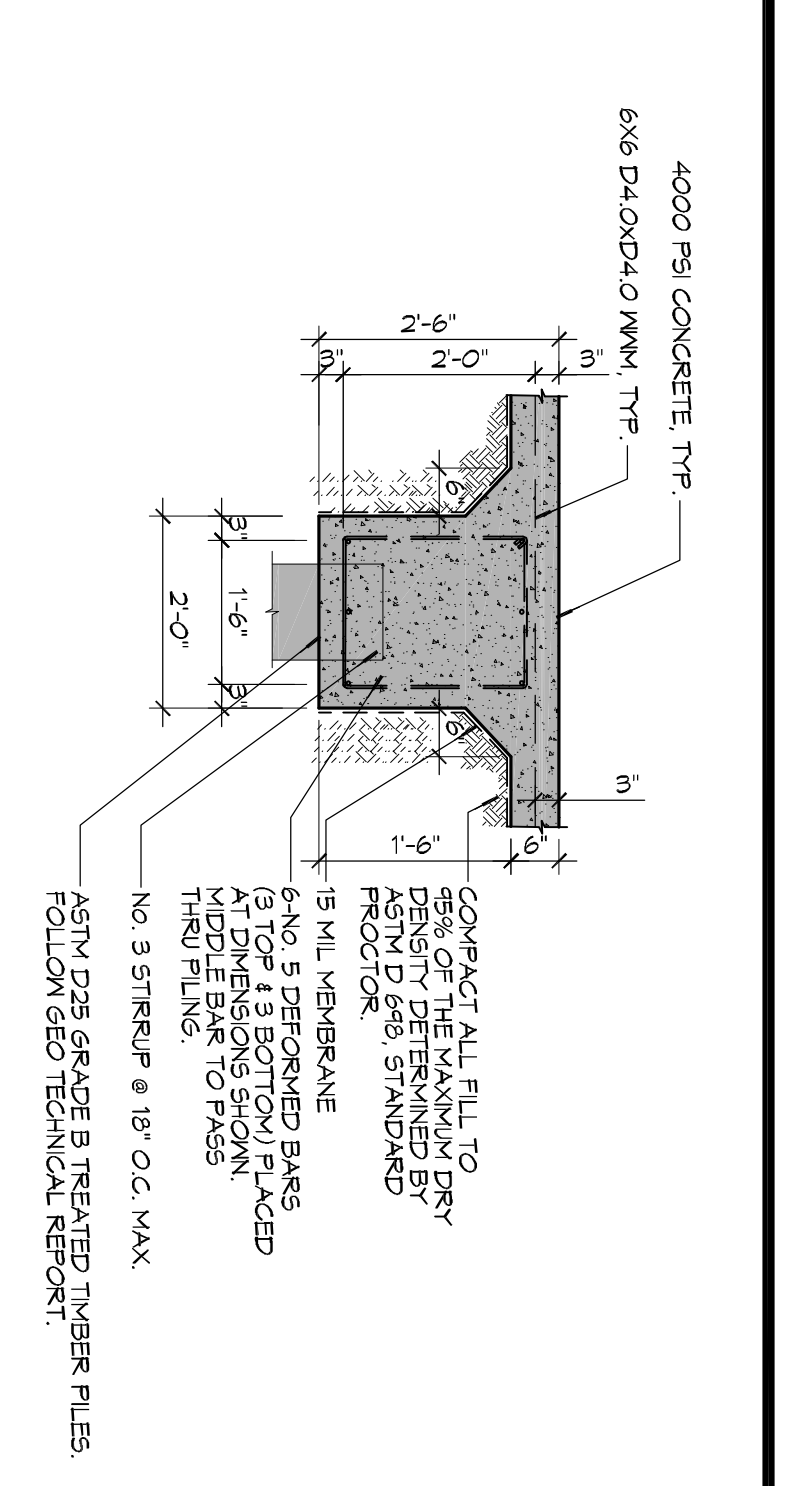


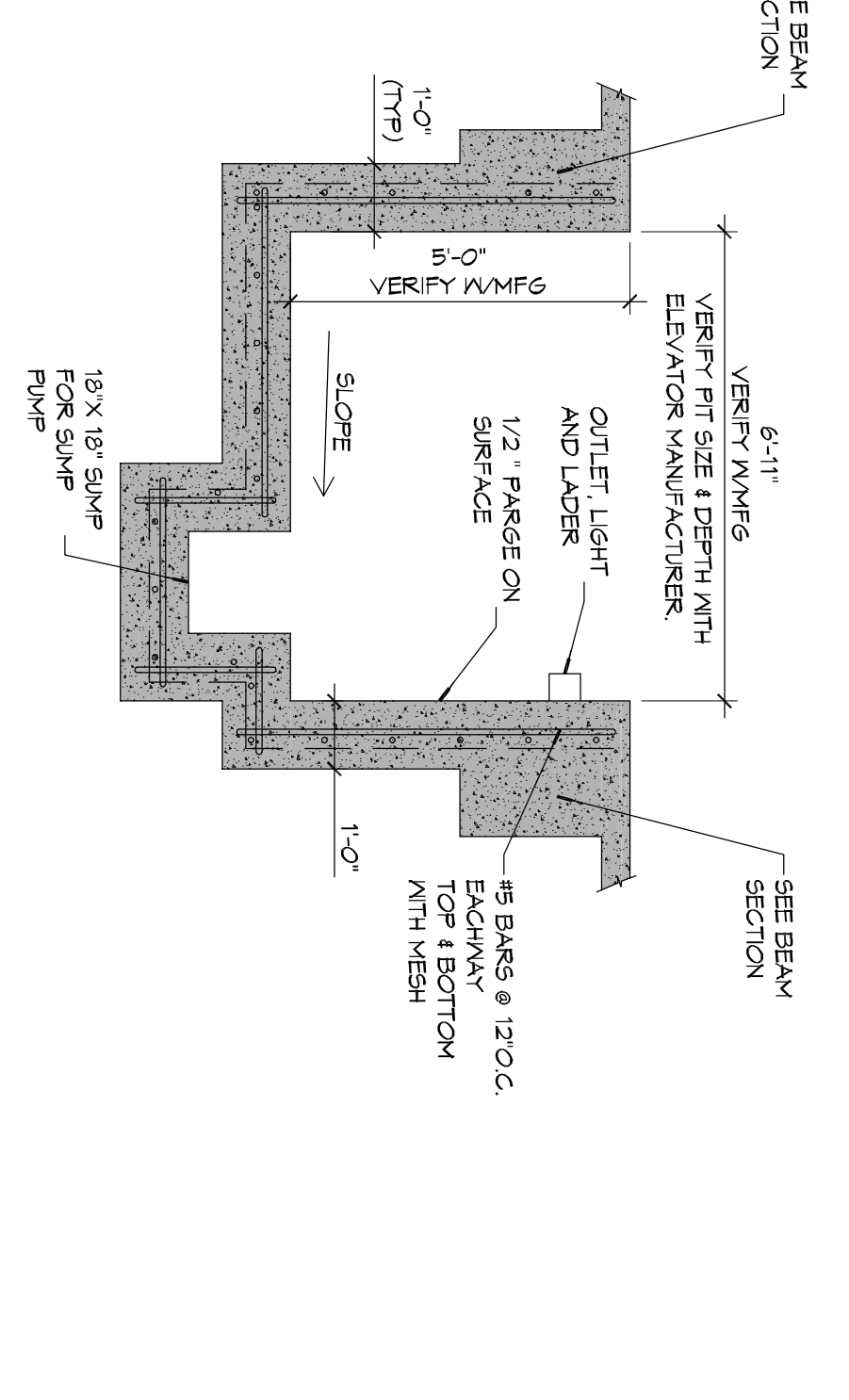
A FOUNDATION SECTION
SCALE: 1/2" = 1'-0"
EXTERIOR LOAD BEARING GRADE BEAM



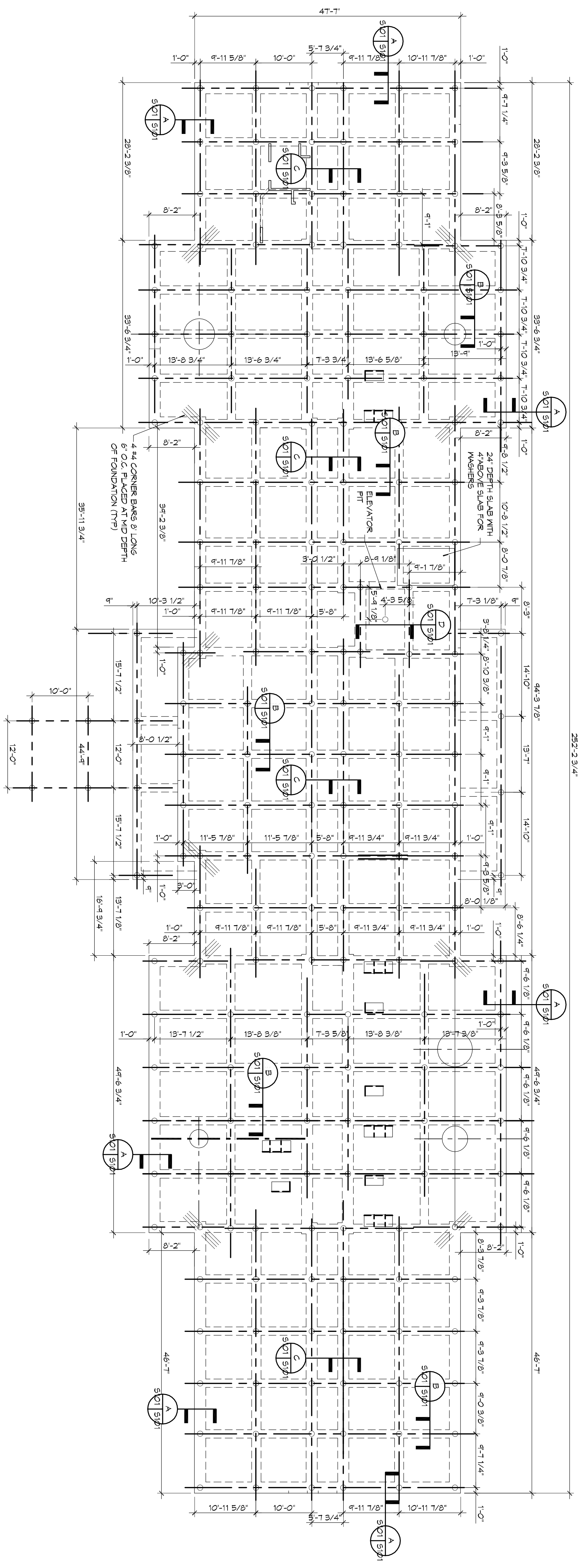
B FOUNDATION SECTION
SCALE: 1/2" = 1'-0"
INTERIOR GRADE BEAM



C FOUNDATION SECTION
SCALE: 1/2" = 1'-0"
INTERIOR LOAD BEARING GRADE BEAM



D FOUNDATION SECTION
SCALE: 1/2" = 1'-0"
ELEVATOR PIT



FOUNDATION & PILING PLAN
SCALE: 3/32" = 1'-0"

PILING NOTES

1. PILE QUALITY INSTALLATION, INSTALLATION MONITORING, AND PILE TESTING PROGRAM SHALL BE IN STRICT ACCORDANCE WITH THE RESTRICTIONS OUTLINED IN ADDENDUM 1 DATED SEPTEMBER 18, 2015 TO D14 FILE NO. 15-092, DATED AUGUST 22, 2015.
2. PILES ARE TO BE ASTM D25 GRADE B THYER PILES, TREATED UNLESS OTHERWISE NOTED.
3. NO FIELD SUPERVISION OR INSPECTION PROVIDED UNDER THIS SEAL UNLESS OTHERWISE NOTED.
4. PILE LAYOUT MAY BE MODIFIED DUE TO ACTUAL DRIVING CONDITIONS. ENGINEER TO BE NOTIFIED ON ANY MODIFICATION.
5. A FILE BLOW COUNT LOG OF ALL PILES IS TO BE SUBMITTED TO THE ENGINEER OF RECORD. FAILURE TO SUBMIT SAID LOG WILL RELIEVE THE CONTRACTOR OF ALL RESPONSIBILITY.
6. CONTRACTOR IS RESPONSIBLE FOR THE COMPARISON & VERIFICATION OF PILE LAYOUT DIMENSIONS WITH MOST RECENT ARCHITECTURAL DRAWINGS, ASSURING THAT PILES DO NOT FALL WITHIN LIMITS OF THE DESIGN.
7. ALL, AS A MINIMUM QUALITY, SHALL BE 40% CLAY AND 60% SAND SAND FILL. SAND FILL TO BE PLACED IN 6" LIFTS AND COMPACTED TO A MINIMUM OF 95% STANDARD PROCTOR DENSITY. ALL FOUNDATIONS ARE DESIGNED TO BE SOIL WITH A BEARING CAPACITY OF 1000 PSF FOR CONTINUOUS FOOTINGS.

GENERAL FOUNDATION NOTES

1. ALL DIMENSIONS ARE EDGE OF CONCRETE (EOC) TO EDGE OF CONCRETE (EOC) UNLESS NOTED OTHERWISE.
2. VERIFY ALL PILING ROUGH-IN LOCATIONS ON ARCHITECTURAL DWGS. CONCRETE MIX SHALL HAVE A MINIMUM COMPRESSIVE STRENGTH OF 4000 PSI AT 28 DAYS. CONCRETE MIX SHALL BE IN ACCORDANCE WITH ACI 318.
3. ALL CONVENTIONAL REINFORCING STEEL SHALL MEET ASTM-A615 (GRADE 60).
4. ONE LAYER OF POLYETHYLENE VAPOUR BARRIER SHALL BE PLACED UNDER ALL CONCRETE. VAPOUR BARRIER TO BE MINIMUM 15 MIL THICKNESS. ASTM E 1785 CLASS A PERFORMANCE LESS THAN 0.01 PERMS. EQUAL TO STEADY STATE STEADY STATE. EQUAL TO STEADY STATE STEADY STATE. EQUAL TO STEADY STATE STEADY STATE. PROVIDE APPROPRIATE ACCESSORIES FOR A COMPLETE SYSTEM.
5. ALL REINFORCING STEEL AND MESH SHALL BE SECURELY SPACERED TO PREVENT BOTH VERTICAL AND HORIZONTAL MOVEMENT DURING CONCRETE PLACEMENT.
6. THE CONTRACTOR SHALL VERIFY ALL DROPS, OFFSETS, BRICK LEGS, DIMENSIONS AND CONFIGURATIONS. CONTRACTOR MUST BE RESPONSIBLE FOR SAME.
7. GRADE BEAM DIMENSIONS MAY VARY BY -5%, +20%.
8. ALL SOIL BELOW SLAB SHALL RECEIVE TREATMENT.
9. CONTRACTOR SHALL PROVIDE A PROPOSED SAW CUT CONTRACTOR JOINT LAYOUT 2 WEEKS PRIOR TO POURING THE FOUNDATION. SAW CUT JOINTS SHALL BE A MINIMUM OF 1/4 DEPTH OF THE SLAB. JOINTS SHALL BE PLACED AT A MINIMUM OF 12" OC EACH WAY. INSTALLED SAW CUT CONTRACTOR JOINTS IN ACCORDANCE WITH ACI 308.3R. SAW CUTTING SHALL BE PROVIDED AS SOON AS POSSIBLE, AND NOT MORE THAN 12 HOURS AFTER PLACEMENT OF CONCRETE.

<p>100 MAIN STREET LOT #1 LA HWY 27 HACKBERRY, LA 70645</p> <p>JOB No: 2265 DATE: FEBRUARY, 2016</p> <p>DRAWN BY: JTL CHECKED BY: CKD</p>	<h1 style="margin: 0;">MAIN STAY SUITES</h1> <p style="margin: 0;">100 MAIN STREET LOT #1 LA HWY 27 HACKBERRY, LA 70645</p>	<p>PRELIMINARY NOT FOR CONSTRUCTION</p>	<p>REVISIONS</p> <table border="1" style="width: 100%; border-collapse: collapse;"> <thead> <tr> <th>#</th> <th>DESCRIPTION</th> <th>DATE</th> </tr> </thead> <tbody> <tr> <td> </td> <td> </td> <td> </td> </tr> <tr> <td> </td> <td> </td> <td> </td> </tr> <tr> <td> </td> <td> </td> <td> </td> </tr> <tr> <td> </td> <td> </td> <td> </td> </tr> </tbody> </table>	#	DESCRIPTION	DATE												
#	DESCRIPTION	DATE																
<p>SHEET NO. 10 OF 10</p>	<h1 style="margin: 0;">5101</h1>	<p>Chief Engineer: Brian Mstich, PE 554 Old Spanish Trail Slidell, LA 70458</p>	<p style="text-align: right;">www.dammoneengineering.com info@dammoneengineering.com PH: 985.649.5832 F: 985.641.5950</p>															