

FINISH SCHEDULE

ROOM	FLOOR	BASE	WALLS				CEILING	NOTES
			NORTH	EAST	SOUTH	WEST		
LIVING ROOM	VINYL PLANK	6" WOOD BASE	1/2" G&B	1/2" G&B	1/2" G&B	1/2" G&B	1/2" G&B	
KITCHEN	VINYL PLANK	6" WOOD BASE	1/2" G&B	1/2" G&B	1/2" G&B	1/2" G&B	1/2" G&B	
HALL	VINYL PLANK	6" WOOD BASE	1/2" G&B	1/2" G&B	1/2" G&B	1/2" G&B	1/2" G&B	
BEDROOMS	VINYL PLANK	6" WOOD BASE	1/2" G&B	1/2" G&B	1/2" G&B	1/2" G&B	1/2" G&B	
BATHROOM	CERAMIC 8" HEXAGON	CERAMIC	1/2" MR G&B	1/2" MR G&B	1/2" MR G&B	1/2" MR G&B	1/2" MR G&B	PENNY TILE INSTALLED IN SHOWER PAN WITH LINEAR DRAIN. 12"X24" SHOWER WALL TILE INSTALLED TO CEILING
UTILITY ROOM	CERAMIC 8" HEXAGON	CERAMIC	1/2" G&B	1/2" G&B	1/2" G&B	1/2" G&B	1/2" G&B	PAINT WALLS WITH TWO PART EPOXY

NOTE - (MR) MOLD RESISTANT

NOTE: OWNER TO PICK ALL FINISHES

SQUARE FEET

LIVING	1040
FRONT PORCH	84
TOTAL SQ. FT.	1124

WINDOW SCHEDULE

MK	WIDTH	HEIGHT	FRAME MAT	NOTES
W01	3'-0"	5'-0"	VINYL	WHITE VINYL SINGLE HUNG INSULATED
W02	3'-0"	3'-0"	VINYL	WHITE VINYL SINGLE HUNG INSULATED
W03	3'-0"	1'-0"	VINYL	FIXED WHITE VINYL WINDOW INSULATED

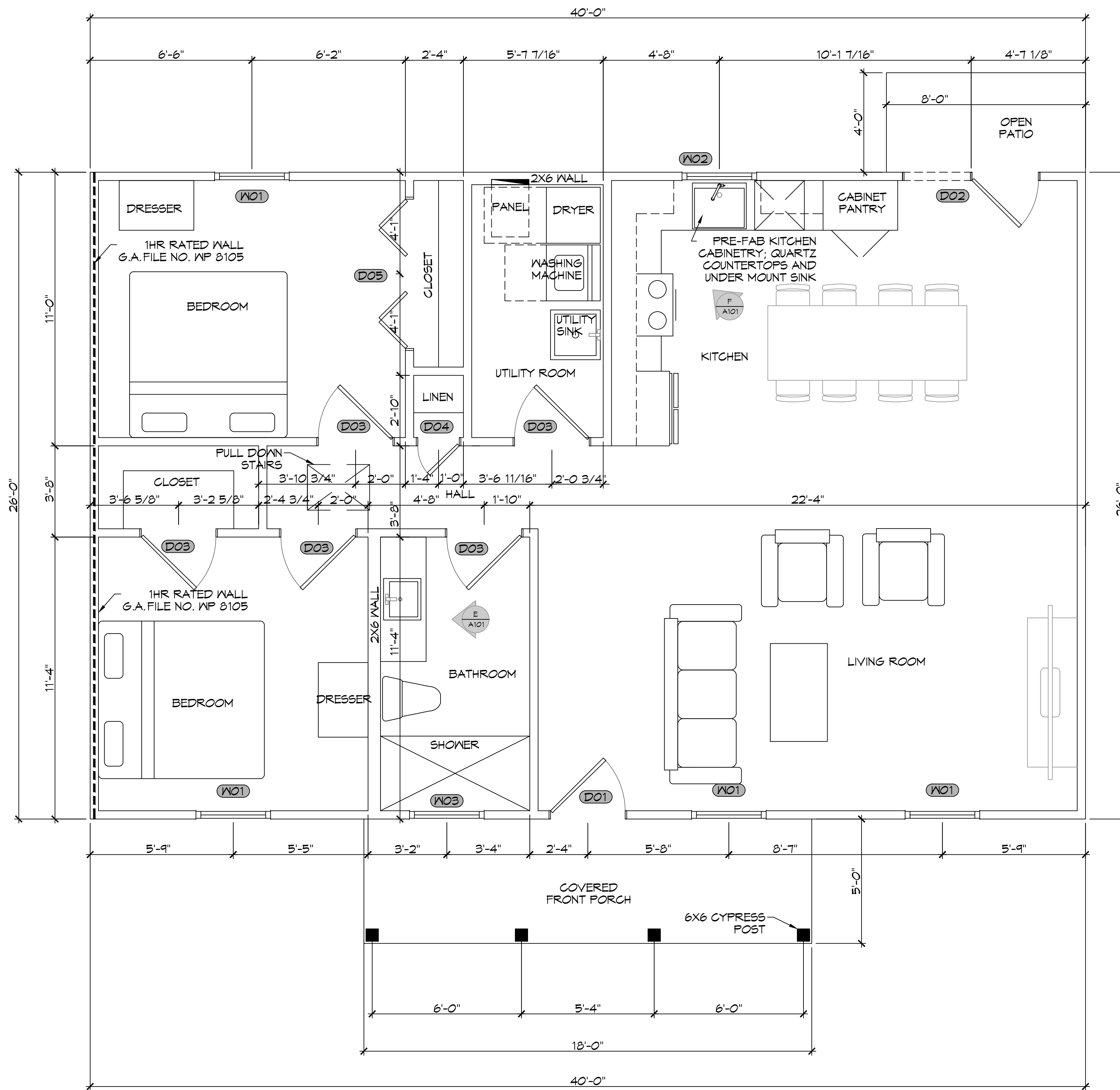
NOTE: OWNER TO PICK ALL WINDOW STYLES

DOOR SCHEDULE

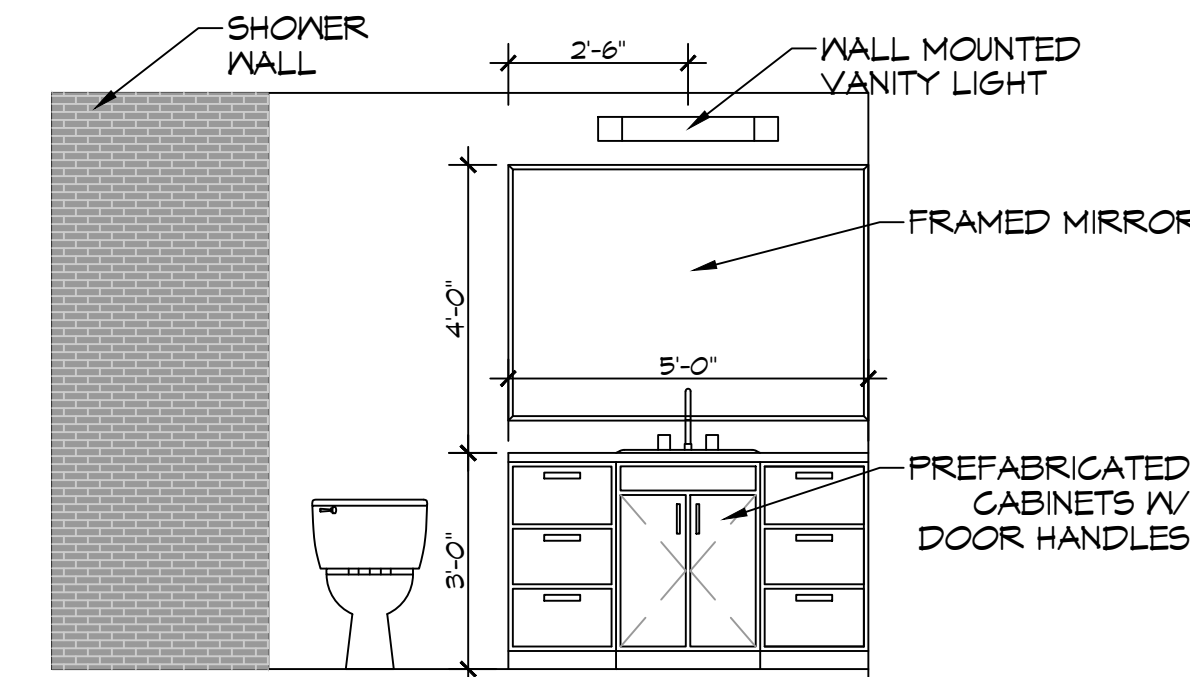
MK	WIDTH	HEIGHT	THK	DOOR MAT	FRAME MAT	NOTES
D01	3'-0"	6'-10"	1-3/4"	WOOD	WOOD	EXTERIOR DOOR
D02	(2)3'-0"	6'-10"	1-3/4"	WOOD	WOOD	EXTERIOR SLIDING DOUBLE DOOR
D03	3'-0"	6'-8"	1-3/4"	WOOD	WOOD	INTERIOR DOOR
D04	1'-8"	6'-8"	1-3/4"	WOOD	WOOD	INTERIOR DOOR FOR LINEN CLOSET
D05	(2)3'-0"	6'-8"	1-3/4"	WOOD	WOOD	INTERIOR DOUBLE ACCORDION DOORS

NOTE: OWNER TO PICK ALL DOOR STYLES

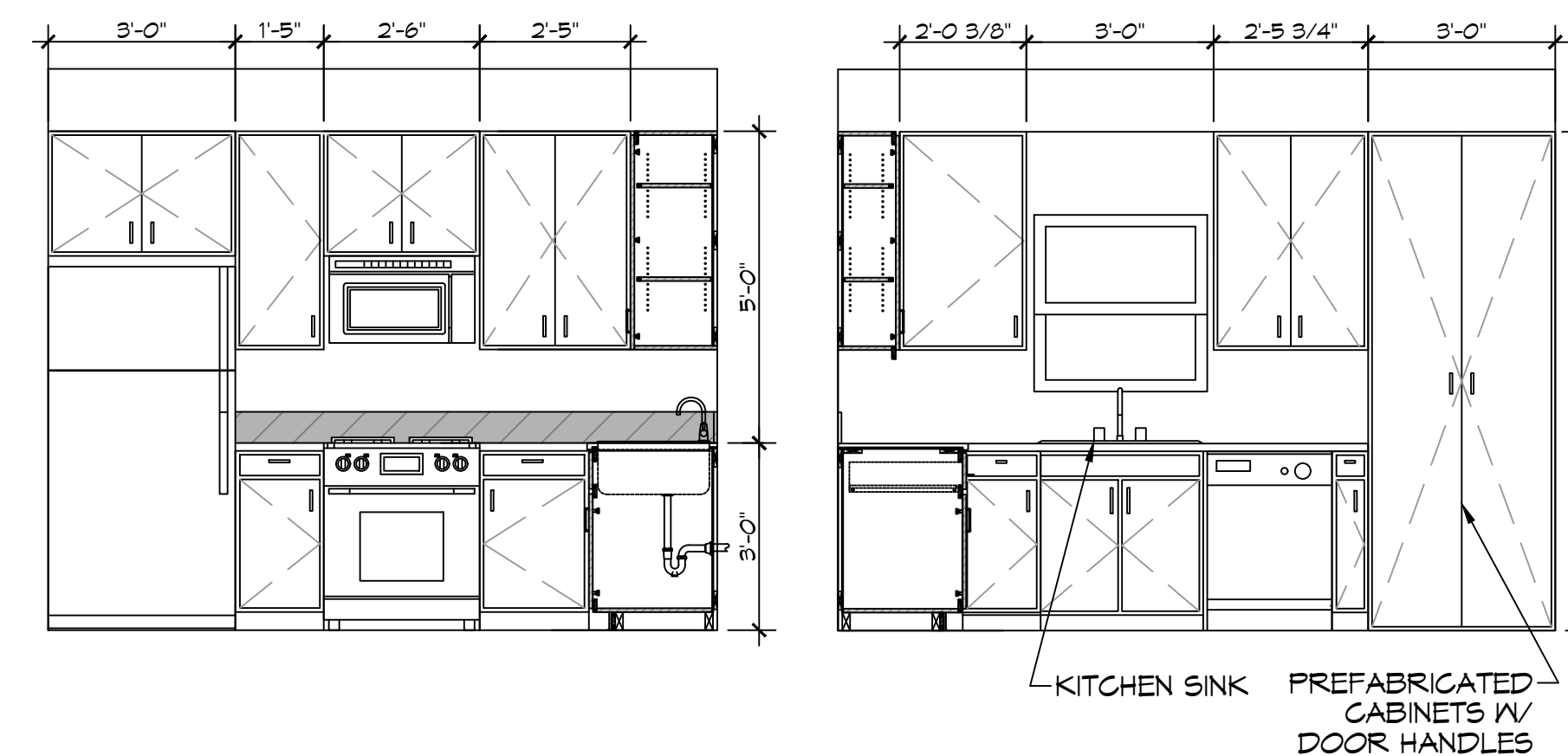
NOTE: ALL EXTERIOR WINDOWS AND DOORS ASSEMBLES TO BE RATED FOR 140 MPH WINDS AND SHALL BE MISSILE IMPACT RESISTANT.



FIRST FLOOR PLAN
SCALE: 3/8" = 1'-0"



E BATHROOM
SCALE: 3/8" = 1'-0"



F KITCHEN
SCALE: 3/8" = 1'-0"

GA FILE NO. WP 8105	GENERIC	1 HOUR FIRE
GYPSON WALLBOARD, GYPSON SHEATHING, WOOD STUDS		
EXTERIOR SIDE: One layer 48" wide 5/8" type X gypsum sheathing applied parallel to 2 x 4 wood studs 24" o.c. with 1 3/4" galvanized roofing nails 4" o.c. at vertical joints and 7" o.c. at intermediate studs and top and bottom plates. Joints of gypsum sheathing may be left untreated. Exterior cladding to be attached through sheathing to studs.		
INTERIOR SIDE: One layer 5/8" type X gypsum wallboard, water-resistant gypsum backing board, or gypsum veneer base applied parallel or at right angles to studs with 6d coated nails 1 7/8" long, 0.0915" shank, 1/4" heads 7" o.c. (LOAD-BEARING)		
Thickness:	Varies	
Approx. Weight:	7 psf	
Fire Test:	See WP 3510 (UL R3501-47, -48, 9-17-65, UL Design U309; UL R1319-129, 7-22-70, UL Design U314)	

DAMMON ENGINEERING, INC.
LOUISIANA & MISSISSIPPI
Chief Engineer: Brian Michich, PE
554 Old Spanish Trail
Slidell, LA 70458
www.dammonengineering.com
info@dammonengineering.com
PH: 985-649-5832

#	DESCRIPTION	DATE



ERSTECHEL
388 ROBERT BLVD
SLIDELL, LA 70458
JOB NO: 05-24-2025
DRAWN BY: SKJ
CHECKED BY: CKD

SHEET TITLE:
FLOOR PLAN
DRAWING NUMBER:
A101
SHEET No: 7 of 11