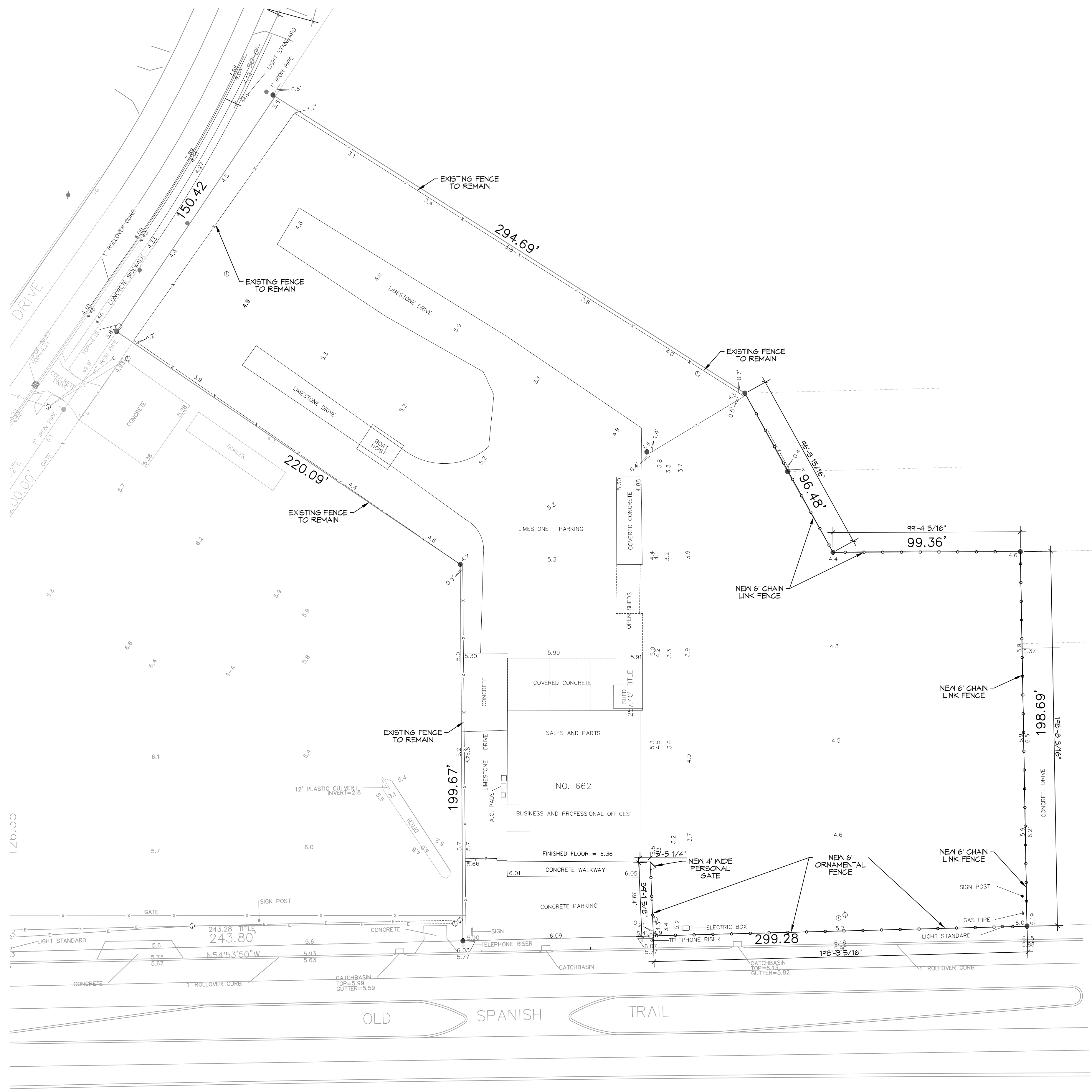
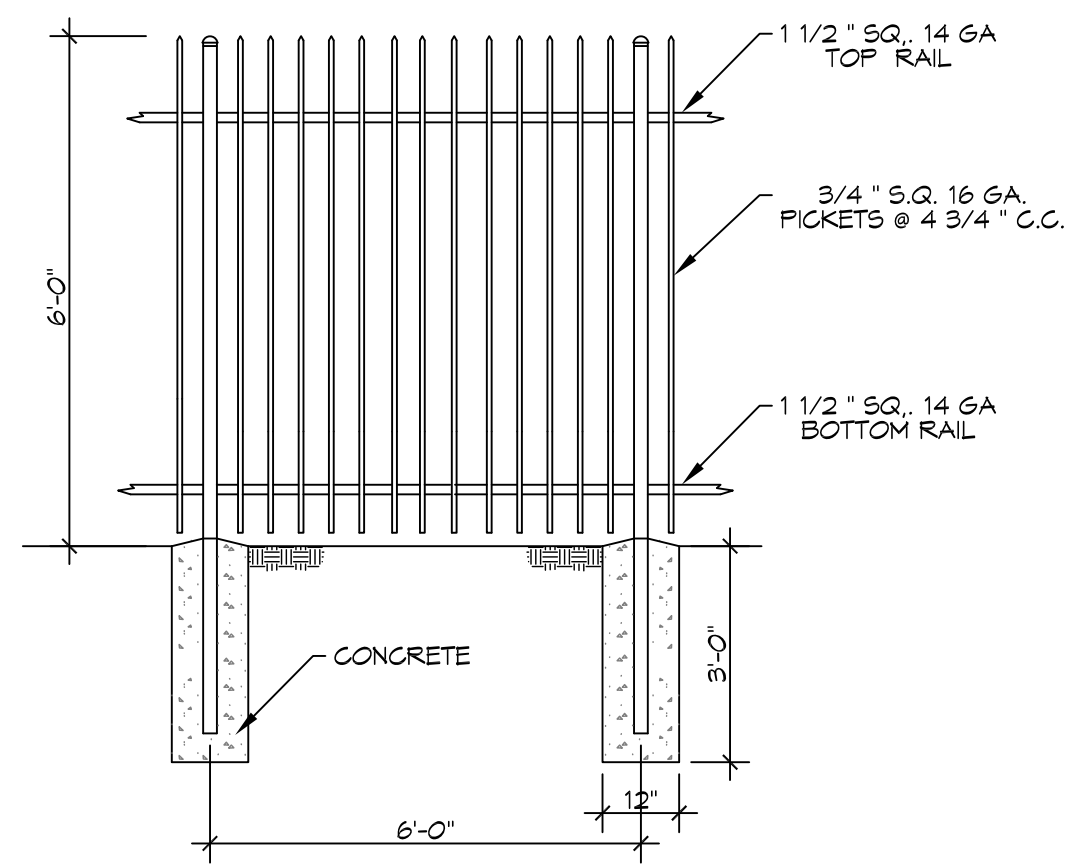
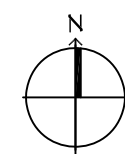


FILE NAME: A:\Command\Bair-Bair\Small\Small\Drawings\C101.dwg Date: 06/04/2026 10:07:11 AM



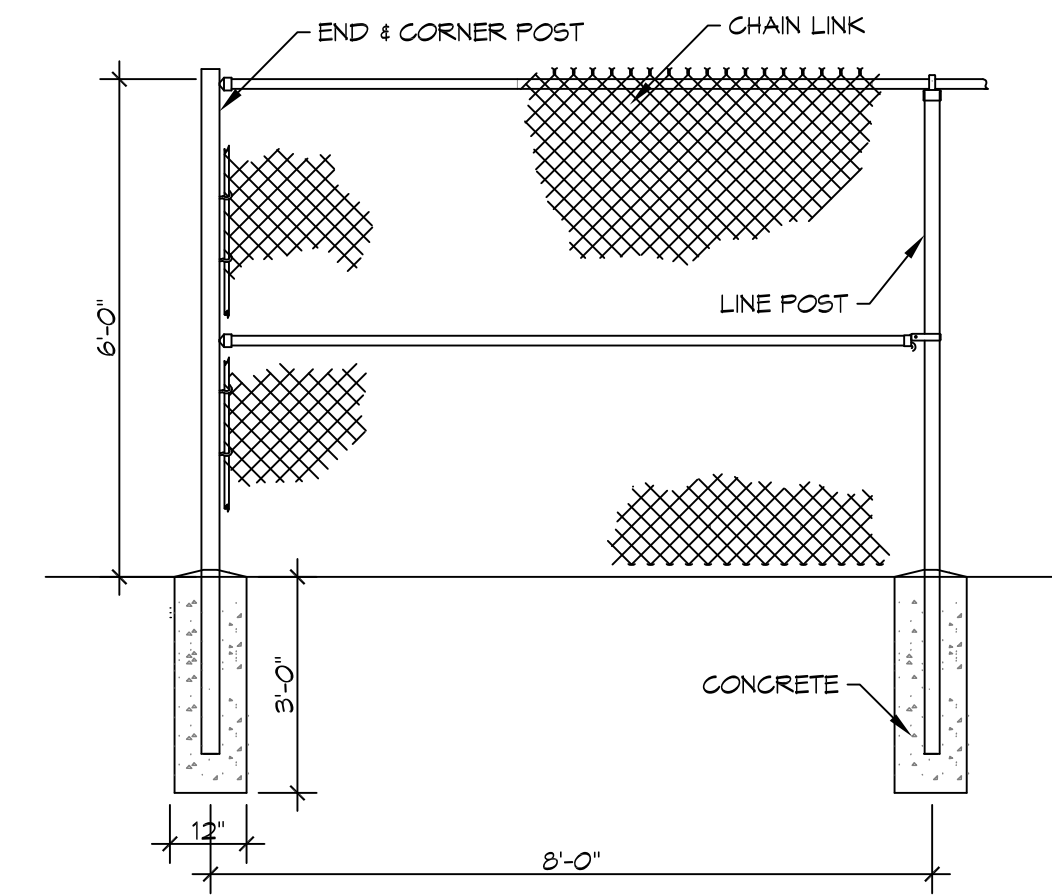
**PROPOSED FENCE SITE PLAN**

SCALE: 1" = 30'-0"



**ORNAMENTAL IRON FENCE**

SCALE: 3/8" = 1'-0"



**CHAIN LINK FENCE**

SCALE: 3/8" = 1'-0"

**DAMMON ENGINEERING, INC.**  
LOUISIANA & MISSISSIPPI

Chief Engineer: Brian Match, PE  
554 Old Spanish Trail  
Slidell, LA 70468  
www.dammonengineering.com  
info@dammonengineering.com  
PH: 985.449.5832

| # | DESCRIPTION | DATE |
|---|-------------|------|
|   |             |      |
|   |             |      |
|   |             |      |
|   |             |      |
|   |             |      |
|   |             |      |
|   |             |      |
|   |             |      |
|   |             |      |
|   |             |      |

REVISIONS

DESCRIPTION

DATE

SEAL:

**BOAT STUFF**

SITE LAYOUT

PROPOSED FENCE SITE PLAN

DRAWING NUMBER:

**C101**

SHEET No: 1 of 1

JMS  
DATE: 06-04-2026  
JOB No: 2026  
DRAWN BY: CKD  
CHECKED BY: JMS  
662 OLD SPANISH TRAIL  
SLIDELL, LA 70468