







**TABLE S601.7 - UPLIFT CONNECTIONS - 140 MPH WINDS EXP "B"**  
NFCM 2015 TABLE 3.2

| CONNECTION                     | FRAMING SPACING (INCHES) | ROOF SPAN (FEET) | UPLIFT | LATERAL | SHEAR | NUMBER OF 8d COMMON NAILS OR 10d BOX NAILS IN EACH END OF 1-1/4" X 20 GAGE STRAP |
|--------------------------------|--------------------------|------------------|--------|---------|-------|--|
| ROOF ASSEMBLY TO WALL ASSEMBLY | 16" OC                   | 16               | 401    | 292     | 152R  | 4  |
| WALL ASSEMBLY TO FOUNDATION    | 16" OC                   | 16               | 224    | 219     | 436   | 4  |

**TABLE S601.8 - SILL OR BOTTOM PLATE TO FOUNDATION CONNECTIONS RESISTING UPLIFT LOADS - 140 MPH WIND EXP "B"**  
NFCM 2015 TABLE 3.2C

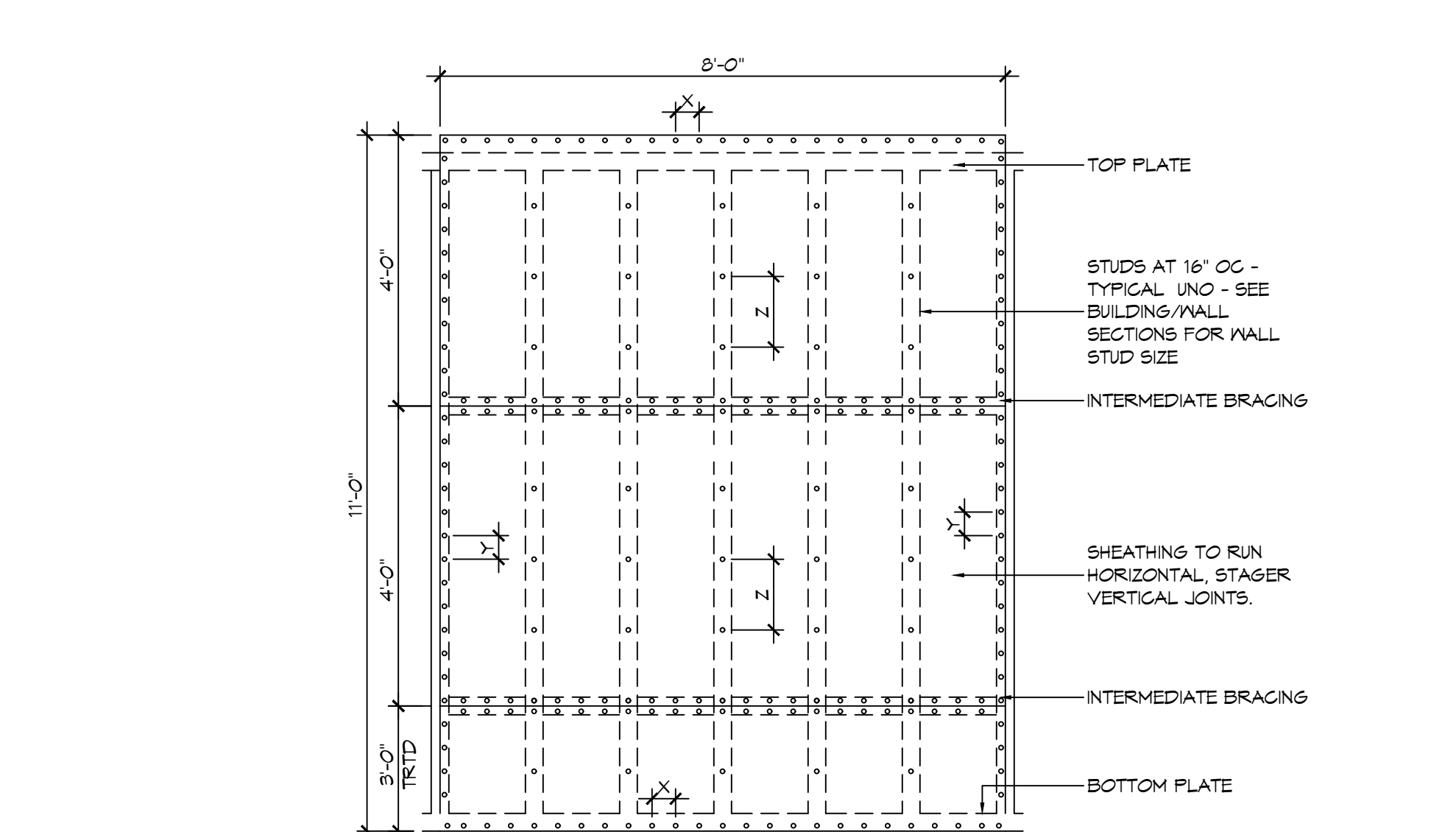
| BOTTOM PLATE TO FOUNDATION ANCHOR BOLT CONNECTION RESISTING UPLIFT LOADS | FOUNDATION SUPPORTING | MAXIMUM ANCHOR BOLT SPACING (INCHES) |                     |
|--|-----------------------|--------------------------------------|---------------------|
|  |                       | 8' END ZONES                         | INTERIOR ZONES      |
| UPLIFT LOADS   | 1 - 3 STORIES         | 25 INCHES ON CENTER                  | 30 INCHES ON CENTER |

**TABLE S601.9 - SILL OR BOTTOM PLATE TO FOUNDATION CONNECTIONS RESISTING SHEAR LOADS - 140 MPH WIND EXP "B"**  
NFCM 2015 TABLE 3.2B

| BOTTOM PLATE TO FOUNDATION ANCHOR BOLT CONNECTION RESISTING UPLIFT LOADS | FOUNDATION SUPPORTING | MAXIMUM ANCHOR BOLT SPACING (INCHES) |                                       |
|--|-----------------------|--------------------------------------|---------------------------------------|
|  |                       | 5/8" Ø ANCHOR BOLTS                  | 48 INCHES ON CENTER W/3X3X1/4" WASHER |
| UPLIFT LOADS   | 4 STORY               |                                      |                                       |

**TABLE S601.10 - FULL HEIGHT STUD REQUIREMENT FOR HEADERS OR WINDOW SILL PLATES IN EXTERIOR WALLS EXPOSURE "B"**  
NFCM 2015 TABLE 3.23C

| HEADER SPAN (FEET) | WALL SPACING (INCHES) |          |          |
|--------------------|-----------------------|----------|----------|
|                    | 12" O.C.              | 16" O.C. | 24" O.C. |
| 2                  | 1                     | 1        | 1        |
| 4                  | 2                     | 2        | 1        |
| 6                  | 3                     | 3        | 2        |
| 8                  | 4                     | 3        | 2        |



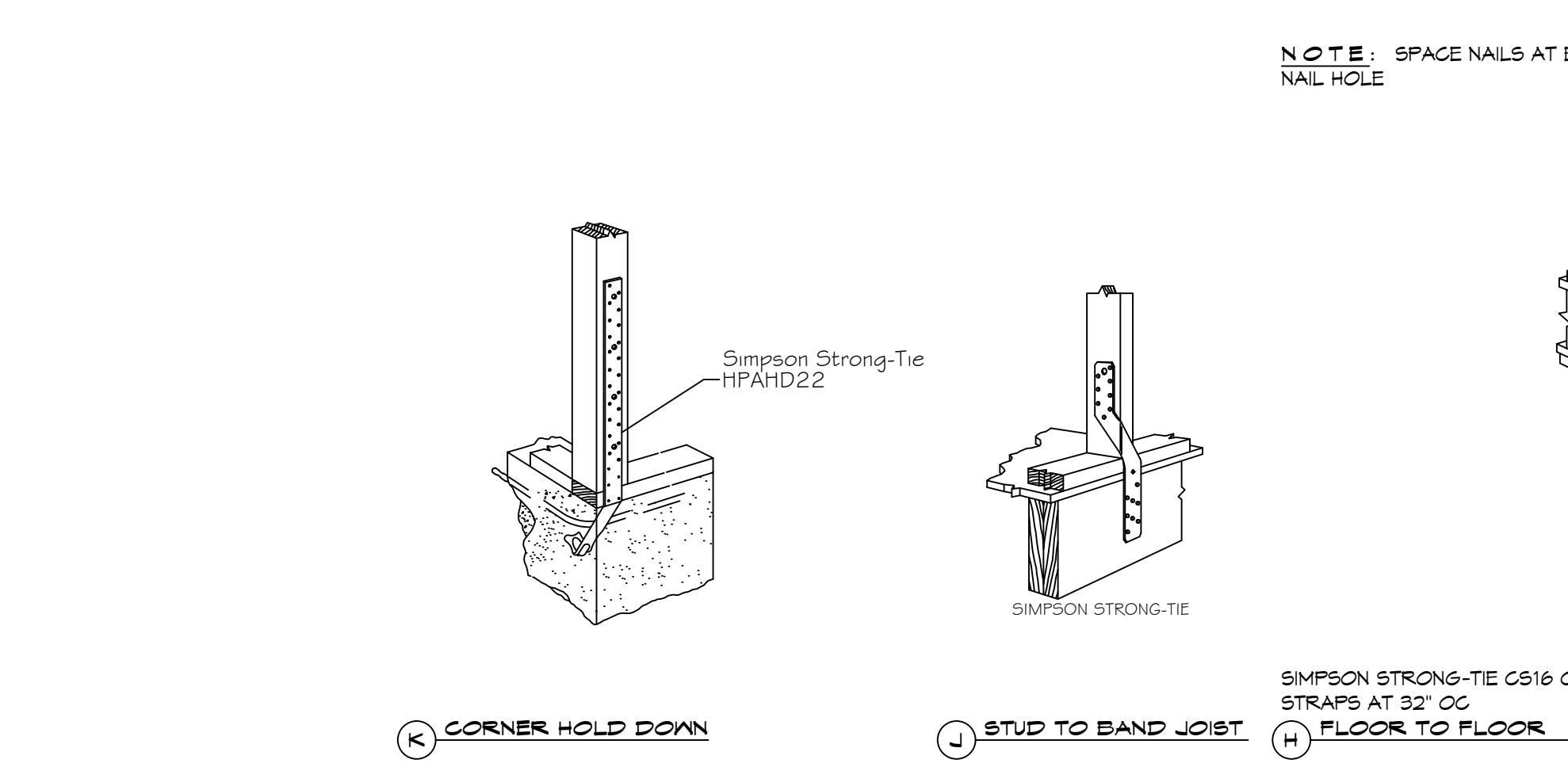
**NAIL SPACING**  
X = 4" OC  
Y = 4" OC  
Z = 12" OC

X = PLATE EDGE NAIL SPACING  
Y = LONG EDGE NAIL SPACING  
Z = FIELD NAIL SPACING

**INTERIOR SHEATHING**  
1/2" PLYWOOD EACH FACE STAGGERED 48" OC. W/8d NAILS @ 4" O.C. FASTENING @ PANEL EDGES 8d NAILS @ 12" O.C. FASTENING @ INTERMEDIATE MEMBERS.

**EXTERIOR SHEATHING**  
5/8" PLYWOOD EACH FACE STAGGERED 48" OC. W/8d NAILS @ 4" O.C. FASTENING @ PANEL EDGES 8d NAILS @ 12" O.C. FASTENING @ INTERMEDIATE MEMBERS.

**H SHEAR WALL EXTERIOR SHEATHING NAILING PATTERN**



**TYPICAL CONNECTION DETAILS**  
SCALE: NTS

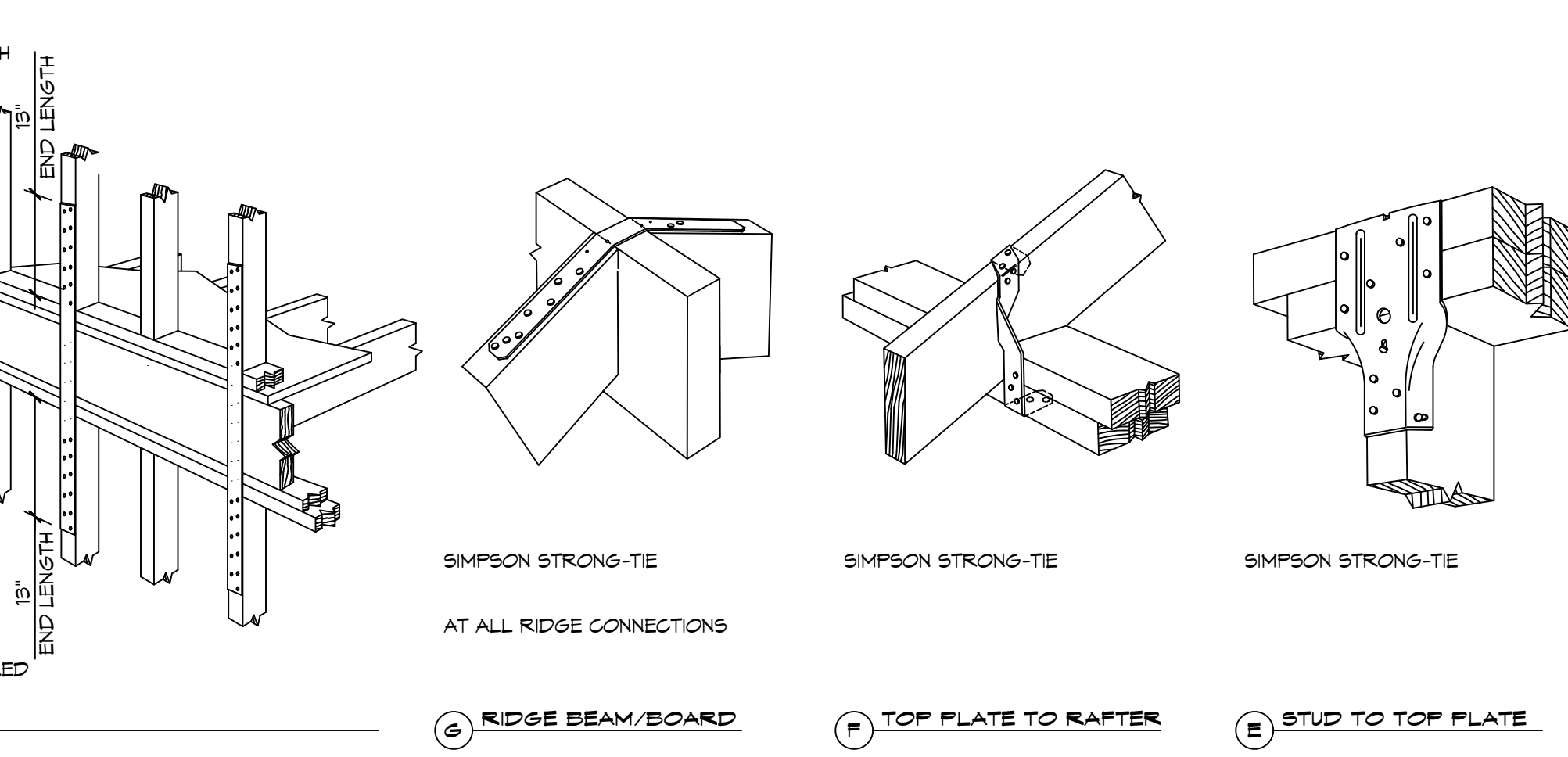
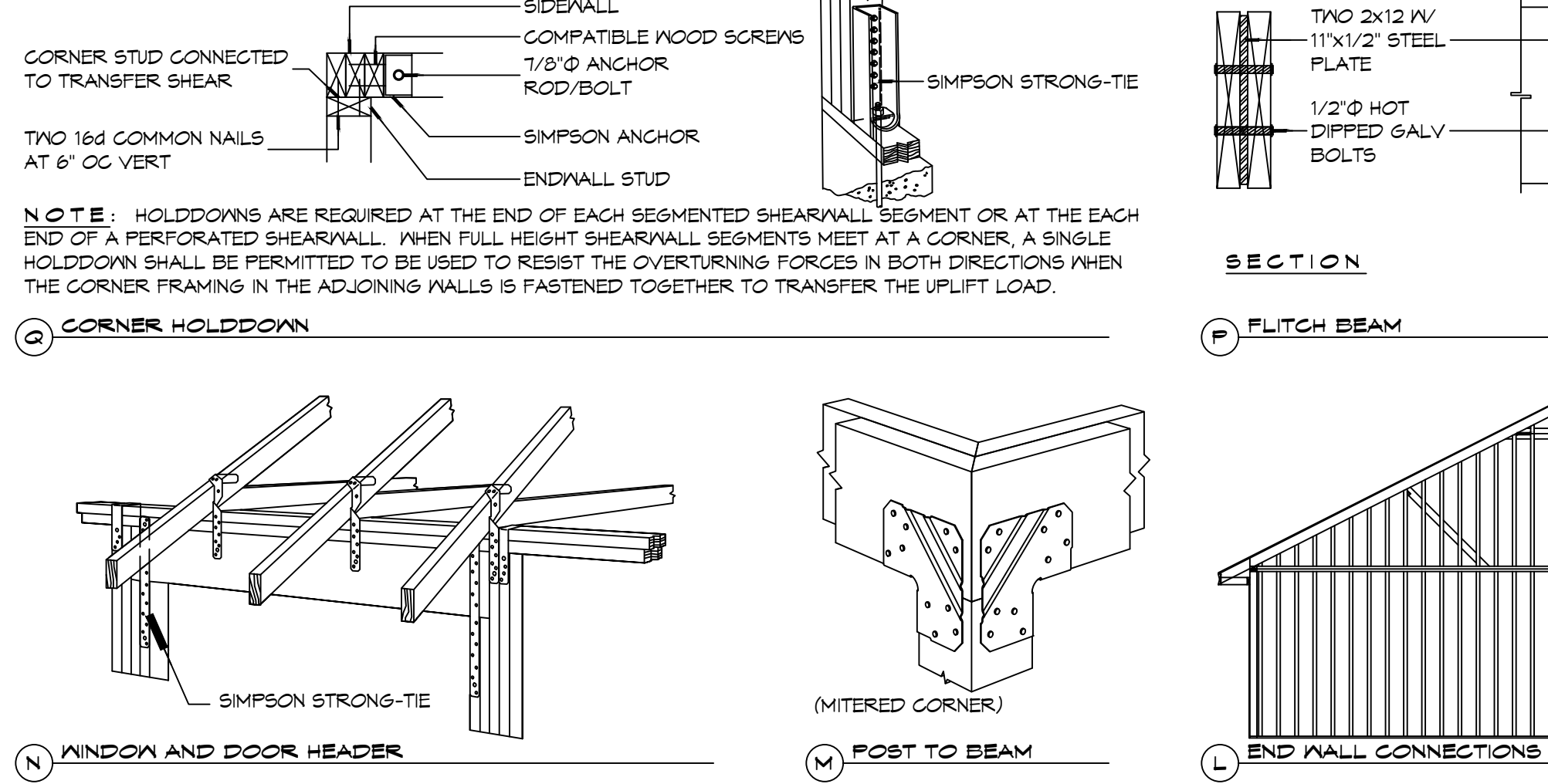
**TABLE S601.5 - JACK STUD REQ - INT LOADBEARING WALLS**

| HEADER SUPPORTING               | HEADER SPAN (FT) | ROOF SPAN (FEET) |      |    |      |         |      |    |      |         |      |    |    |
|---------------------------------|------------------|------------------|------|----|------|---------|------|----|------|---------|------|----|----|
|                                 |                  | 12 FEET          |      |    |      | 24 FEET |      |    |      | 36 FEET |      |    |    |
|                                 |                  | 3"               | 4.5" | 5" | 6.5" | 3"      | 4.5" | 5" | 6.5" | 3"      | 4.5" | 5" | 6" |
| ONE FLOOR ONLY (CENTER BEARING) | 2                | 1                | 1    | 1  | 1    | 1       | 1    | 1  | 1    | 1       | 1    | 1  | 1  |
|                                 | 4                | 1                | 1    | 1  | 1    | 1       | 1    | 1  | 1    | 1       | 1    | 1  | 1  |
|                                 | 6                | 1                | 1    | 1  | 1    | 1       | 1    | 1  | 1    | 2       | 1    | 1  | 1  |
|                                 | 8                | 1                | 1    | 1  | 1    | 2       | 1    | 1  | 1    | 2       | 2    | 2  | 1  |
|                                 | 10               | 1                | 1    | 1  | 1    | 2       | 2    | 1  | 1    | 3       | 2    | 2  | 2  |
|                                 | 12               | 1                | 1    | 1  | 1    | 2       | 2    | 2  | 1    | 3       | 2    | 2  | 2  |
|                                 | 14               | 2                | 1    | 1  | 1    | 3       | 2    | 2  | 2    | 4       | 3    | 3  | 2  |
|                                 | 16               | 2                | 2    | 1  | 1    | 3       | 2    | 2  | 2    | 4       | 3    | 3  | 2  |
|                                 | 2                | 1                | 1    | 1  | 1    | 1       | 1    | 1  | 1    | 2       | 1    | 1  | 1  |
|                                 | 4                | 1                | 1    | 1  | 1    | 2       | 1    | 1  | 1    | 3       | 2    | 2  | 2  |
| 6                               | 2                | 1                | 1    | 1  | 3    | 2       | 2    | 2  | 4    | 3       | 2    | 2  |    |
| 8                               | 2                | 2                | 1    | 1  | 3    | 2       | 2    | 2  | 5    | 3       | 3    | 3  |    |
| 10                              | 2                | 2                | 2    | 1  | 4    | 3       | 3    | 2  | 6    | 4       | 4    | 3  |    |
| 12                              | 3                | 2                | 2    | 2  | 5    | 3       | 3    | 3  | 7    | 5       | 4    | 4  |    |
| 14                              | 3                | 2                | 2    | 2  | 6    | 4       | 4    | 3  | 8    | 5       | 5    | 4  |    |
| 16                              | 4                | 3                | 2    | 2  | 6    | 4       | 4    | 3  | 9    | 6       | 6    | 5  |    |

**TABLE S601.6 - JACK STUD REQ - EXTERIOR LOADBEARING WALLS**  
NFCM 2021 TABLE 3.22F

| HEADER WIDTH - 3" (2-2x), 4.5" (3-2x), 5", 6.5" (4-2x) EACH 1/2" PLYWOOD SPACER BETWEEN | ROOF LIVE LOAD 20 PSF                       |      |    |      | ROOF LIVE LOAD 30 PSF |      |    |      |   |
|---|---|------|----|------|-----------------------|------|----|------|---|
|   | 3"  | 4.5" | 5" | 6.5" | 3"                    | 4.5" | 5" | 6.5" |   |
|   | NUMBER OF JACK STUDS REQUIRED               |      |    |      |                       |      |    |      |   |
| ROOF AND CEILING  | 2   | 1    | 1  | 1    | 1                     | 1    | 1  | 1    |   |
|   | 4   | 1    | 1  | 1    | 1                     | 1    | 1  | 1    |   |
|   | 6   | 2    | 1  | 1    | 1                     | 2    | 1  | 1    |   |
|   | 8   | 2    | 2  | 2    | 1                     | 2    | 2  | 1    |   |
|   | 10  | 3    | 2  | 2    | 2                     | 3    | 2  | 2    |   |
|   | 12  | 3    | 2  | 2    | 2                     | 3    | 2  | 2    |   |
|   | 14  | 4    | 3  | 2    | 2                     | 4    | 3  | 2    |   |
|   | 16  | 4    | 3  | 3    | 2                     | 4    | 3  | 2    |   |
|   | ROOF, CEILING, AND ONE CENTER BEARING FLOOR | 2    | 1  | 1    | 1                     | 1    | 1  | 1    | 1 |
|   |   | 4    | 2  | 1    | 1                     | 1    | 2  | 1    | 1 |
| 6   |   | 2    | 2  | 2    | 1                     | 3    | 2  | 2    |   |
| 8   |   | 3    | 2  | 2    | 2                     | 3    | 2  | 2    |   |
| 10  |   | 4    | 3  | 2    | 2                     | 4    | 3  | 2    |   |
| 12  |   | 4    | 3  | 3    | 2                     | 5    | 3  | 3    |   |
| 14  |   | 5    | 4  | 3    | 3                     | 5    | 4  | 3    |   |
| 16  |   | 6    | 4  | 4    | 3                     | 6    | 4  | 3    |   |

HEADER WIDTH - 3" (2-2x), 4.5" (3-2x), 5", 6.5" (4-2x) EACH 1/2" PLYWOOD SPACER BETWEEN



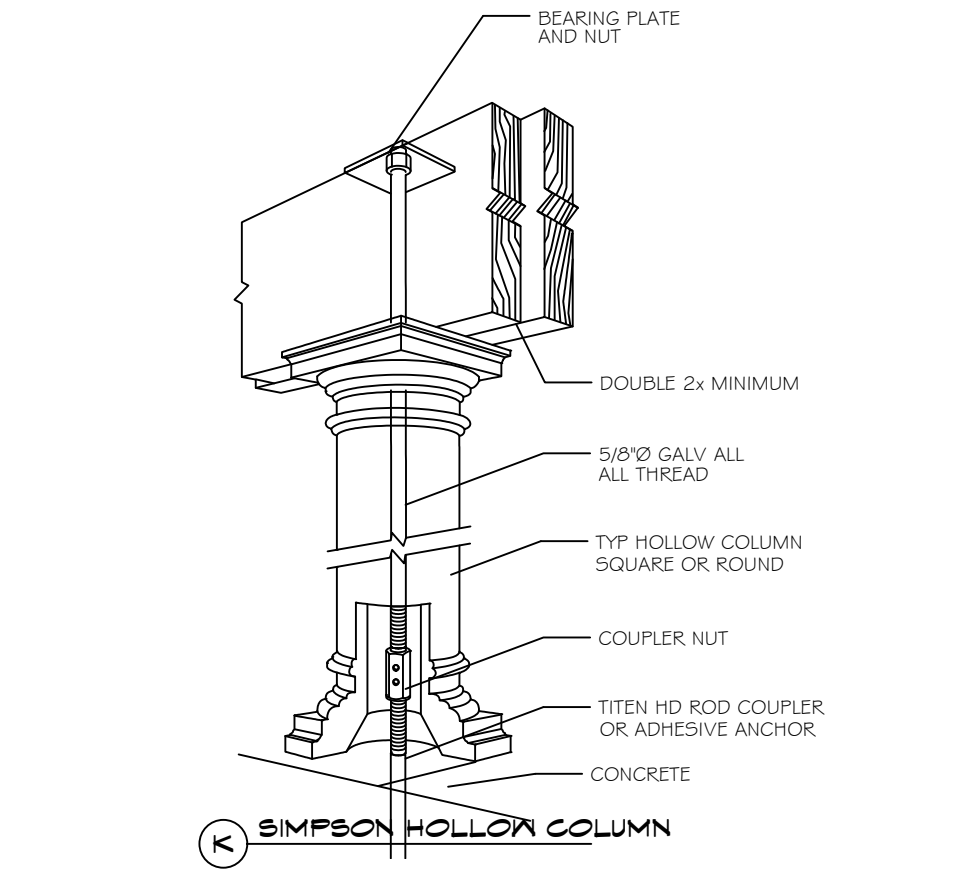
**TYPICAL CONNECTION DETAILS**

**TABLE S601.3 - NAILING SCHEDULE**  
NFCM 2015 TABLE 3.1

| DESCRIPTION                    | NUMBER OF COMMON NAILS | NUMBER OF BOX NAILS | SPACING      |
|--------------------------------|------------------------|---------------------|--------------|
| HEADER TO HEADER (FACE NAILED) | 16d                    | 16d                 | 16" OC EDGES |

**TABLE S601.4 - BUILDING ENVELOPE REQUIREMENTS**

| ROOFS              | OPAQUE ELEMENTS                |                  | INSULATION MIN. R-VALUE |
|--------------------|--------------------------------|------------------|-------------------------|
|                    | INSULATION ENTIRELY ABOVE DECK | ASSEMBLY MAXIMUM |                         |
| METAL BUILDING     | U-0.065                        | R-19             | R-20.0 c.i.             |
|                    | U-0.027                        | R-30             |                         |
|                    | U-0.151                        | R-5.7 c.i.       |                         |
| WALLS, ABOVE GRADE | U-0.113                        | R-19.0           | R-19.0                  |
|                    | U-0.124                        | R-19.0           |                         |
|                    | U-0.089                        | R-19.0           |                         |
| FLOORS             | U-0.107                        | R6-3 c.i.        | R-19.0                  |
|                    | U-0.052                        | R-19.0           |                         |
|                    | U-0.051                        | R-19.0           |                         |
| SLAB-ON-GRADE      | U-0.130                        | NR               | NR                      |
|                    | U-0.700                        | NR               |                         |
| OPAQUE DOORS       | U-0.750                        | NR               | NR                      |
|                    | U-1.450                        | NR               |                         |



**METAL ROOF APPLICATION & FASTENING NOTES**

1. INSTALL 26 GAUGE METAL ROOF PER MANUFACTURER'S RECOMMENDATIONS FOR 140 MPH WIND SPEED.

**GENERAL UPLIFT CONNECTION NOTES**

**ROOF ASSEMBLY TO WALL ASSEMBLY:**  
UPLIFT CONNECTIONS SHALL BE FROM RAFTER OR TRUSS TO WALL STUD. WHEN RAFTERS OR TRUSSES ARE NOT LOCATED DIRECTLY ABOVE STUDS, RAFTERS SHALL BE ATTACHED TO THE WALL PLATE AND THE WALL TOP PLATE SHALL BE ATTACHED TO THE WALL STUD WITH UPLIFT CONNECTIONS. UPLIFT CONNECTIONS SHALL BE IN ACCORDANCE WITH TABLE S601.10.

**WALL ASSEMBLY TO WALL ASSEMBLY:**  
STORY TO STORY UPLIFT CONNECTIONS FROM UPPER STORY WALL STUD TO LOWER STORY WALL STUD. WHEN UPPER STORY WALL STUDS ARE NOT LOCATED DIRECTLY ABOVE LOWER WALL STUDS, THE STUDS SHALL BE ATTACHED TO A COMMON MEMBER IN THE LOWER ASSEMBLY BY UPLIFT CONNECTIONS. UPLIFT CONNECTIONS SHALL BE IN ACCORDANCE WITH TABLE S601.11.

**WALL ASSEMBLY TO FOUNDATION:**  
FIRST FLOOR WALL STUDS SHALL BE CONNECTED TO THE FOUNDATION, SILL PLATE, OR BOTTOM PLATE. A MINIMUM OF A 1-1/4" X 20 GA. ASTM A653 GRADE 88 STEEL STRAP SHALL BE NAILED TO THE WALL STUD AND HAVE A MINIMUM EMBEDMENT OF 1 INCHES IN CONCRETE FOUNDATIONS AND SLABS-ON-GRADE, 15 INCHES IN MASONRY BLOCK FOUNDATIONS, OR BE LAPPED UNDER THE BOTTOM PLATE, 3 INCH SQUARE WASHERS SHALL BE USED ON THE ANCHOR BOLTS AND ANCHOR BOLT SPACINGS SHALL NOT EXCEED THE REQUIREMENTS. STEEL STRAPS EMBEDDED IN OR IN CONTACT WITH SLAB-ON-GRADE OR MASONRY BLOCK FOUNDATIONS SHALL BE HOT-DIPPED GALV. AFTER FABRICATION, OR MANUF. FROM S185 OR S450 GALV. STL. CONNECTIONS SHALL BE IN ACCORDANCE WITH TABLE S601.12.

**TABLE S601.1 - ROOF SHEATHING ATTACHMENT REQUIREMENT - WIND LOAD EXP "B"**

| SHEATHING LOCATION  | RAFTER / TRUSS SPACING | E F   |    |
|---------------------|------------------------|---|----|
|                     |                        | MAX NAIL SPACING FOR 8d COMMON NAILS OR 10d BOX NAILS (INCHES OC) |    |
| INTERIOR ZONE       | 12" OC                 | 6   | 12 |
|                     | 16" OC                 | 6   | 12 |
|                     | 24" OC                 | 6   | 12 |
| PERIMETER EDGE ZONE | 12" OC                 | 6   | 6  |
|                     | 16" OC                 | 4   | 4  |
|                     | 24" OC                 | 3   | 3  |

140 MPH WIND - EXPOSURE "B" TYPICAL  
E = NAIL SPACING AT PANEL EDGES, INCHES.  
F = NAIL SPACING AT INTERMEDIATE SUPPORTS IN THE PANEL FIELD, INCHES.

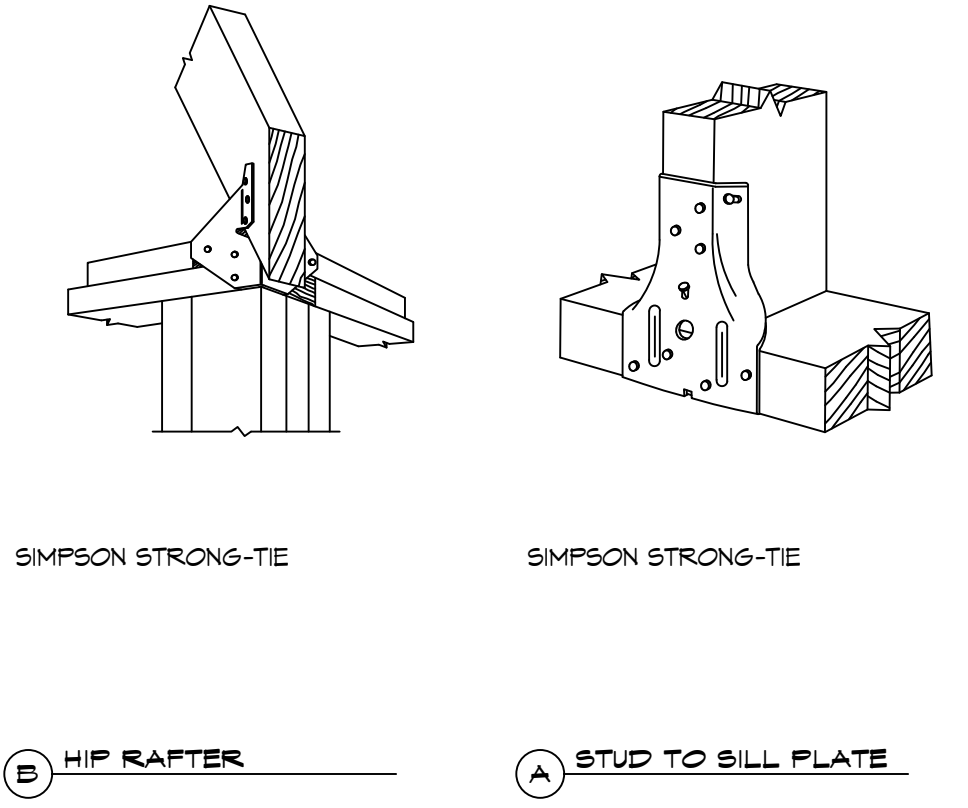
**TABLE S601.1 - WALL SHEATHING AND CLADDING REQUIREMENT - WIND LOAD EXP "B"**

| SHEATHING LOCATION  | RAFTER / TRUSS SPACING | E F   |    |
|---------------------|------------------------|---|----|
|                     |                        | MAX NAIL SPACING FOR 8d COMMON NAILS OR 10d BOX NAILS (INCHES OC) |    |
| INTERIOR ZONE       | 12" OC                 | 6   | 12 |
|                     | 16" OC                 | 6   | 12 |
|                     | 24" OC                 | 6   | 6  |
| PERIMETER EDGE ZONE | 12" OC                 | 6   | 12 |
|                     | 16" OC                 | 6   | 12 |
|                     | 24" OC                 | 6   | 6  |

140 MPH WIND - EXPOSURE "B" TYPICAL  
E = NAIL SPACING AT PANEL EDGES, INCHES.  
F = NAIL SPACING AT INTERMEDIATE SUPPORTS IN THE PANEL FIELD, INCHES.

**DESIGN CRITERIA**

THE CONSTRUCTION FOR SAID RESIDENCE, WHERE WIND SPEED IS 140 MILES PER HOUR AND VASD WIND SPEED IS 130 MPH, WIND EXPOSURE ZONE G, IS DESIGNED IN ACCORDANCE WITH: AMERICAN FOREST AND PAPER ASSOCIATION (AF&PA) WOOD FRAME CONSTRUCTION MANUAL FOR ONE AND TWO FAMILY DWELLINGS (WFCM) 2001 EDITION AS WELL AS THE INTERNATIONAL RESIDENTIAL CODE (IRC) 2021 EDITION. STRUCTURE SHALL BE BUILT TO THE 2021 INTERNATIONAL ENERGY CONSERVATION CODE (2021 IEC) AND STATE AMENDMENTS ADOPTED JULY 1, 2023.

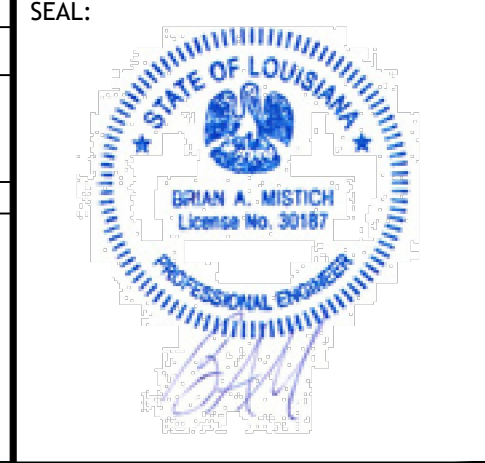


**TYPICAL CONNECTION DETAILS**

**DAMMON ENGINEERING, INC.**  
LOUISIANA & MISSISSIPPI

Chief Engineer: Brian M. Misch  
554 Old Spanish Trail  
Slidell, LA 70458  
www.dammonengineering.com  
info@dammonengineering.com  
PH: 985-649-5832

| DATE | REVISIONS | # | DESCRIPTION |
|------|-----------|---|-------------|
|      |           |   |             |



**NEW POOL HOUSE**

51656 WINGRA ROAD  
SLIDELL, LA 70460

JOB No: 05-06-2025  
DATE: 05-06-2025  
DRAWN BY: CKD  
CHECKED BY: BAK

SHEET TITLE:  
TYPICAL CONNECTION DETAILS, SCHEDULES, AND NOTES

DRAWING NUMBER:  
**S103**

SHEET No: 4 of 5

