



BUILDING HEIGHT
SCALE: 1/8" = 1'-0"

DESIGN CRITERIA

THE CONSTRUCTION FOR SAID RESIDENCE, WHERE BASIC WIND SPEED IS 150 MILES PER HOUR, WIND EXPOSURE ZONE D, IS DESIGNED IN ACCORDANCE WITH: AMERICAN FOREST AND PAPER ASSOCIATION (AF&PA) WOOD FRAME CONSTRUCTION MANUAL FOR ONE AND TWO FAMILY DWELLINGS (WFCM) 2001 EDITION AS WELL AS THE INTERNATIONAL RESIDENTIAL CODE (IRC) 2021 EDITION

NOTE: NAMING A CERTAIN BRAND, MAKE OR MANUFACTURER IS TO DESIGNATE THE GENERAL STYLE, TYPE, CHARACTER AND QUALITY STANDARD OF THE PRODUCT DESIRED.

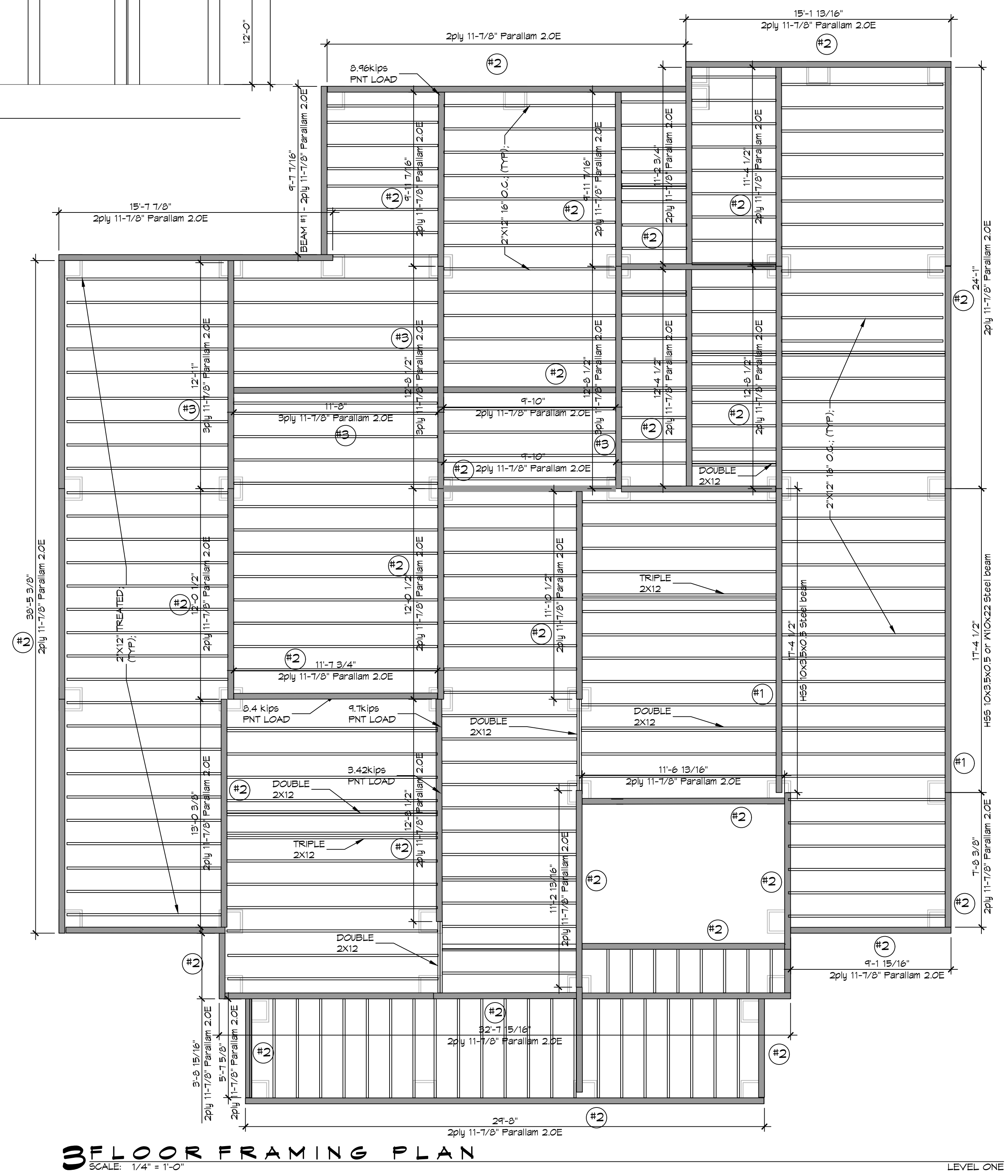
GENERAL NOTES

1. ALL LUMBER SHALL BE PRESSURE TREATED WITH A RETENTION OF .4 PER C.F.
2. ALL FASTENERS SHALL BE HOT DIPPED GALVANIZED (HDG) PER ASTM A193
3. ALL CONNECTORS SHALL BE HDG PER ASTM A653, CLASS 6105 SHEET WITH 1.35 OZ/SF ZINC COATING
4. DOUBLE UP AND TRIPPLE UP ON FLOOR JOISTS UNDER ALL LOAD BEARING WALLS AND BATHTUBS.

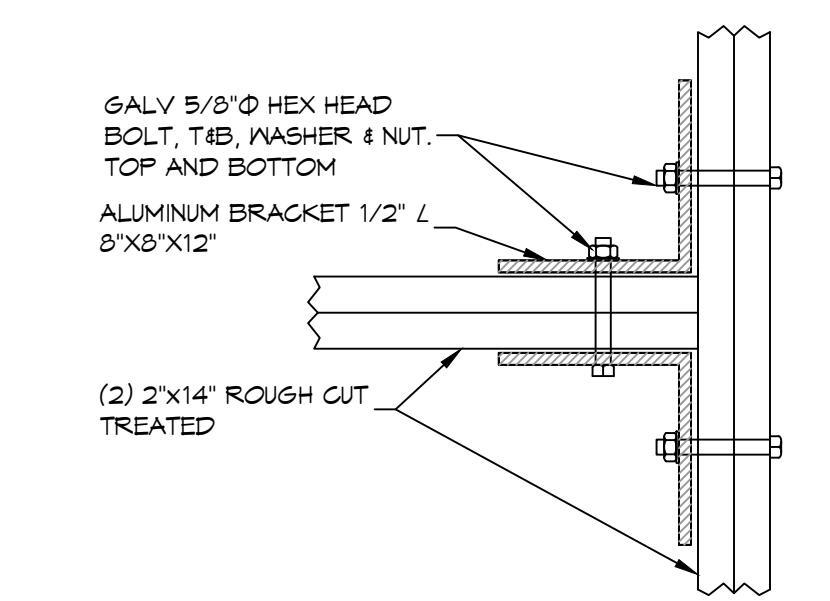
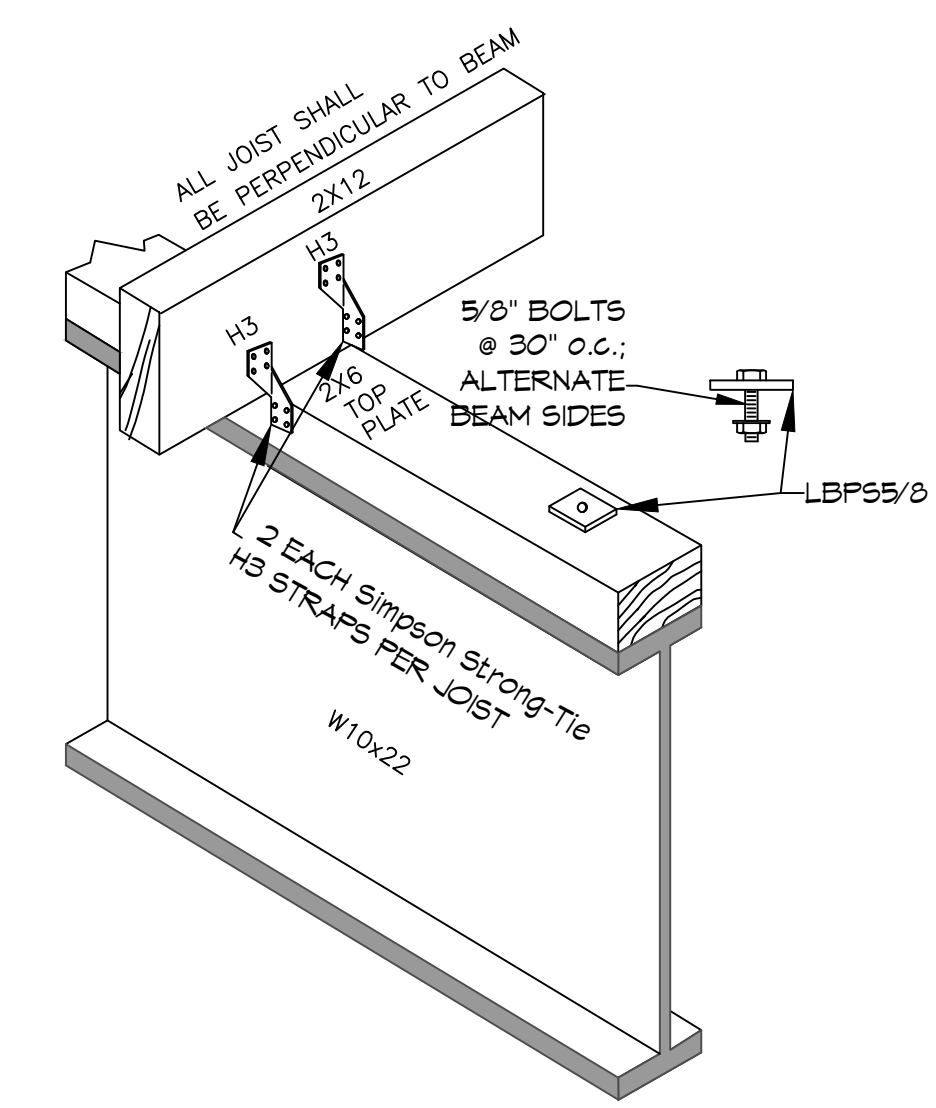
BEAMS

THIS IS THE TOTAL NUMBER OF BEAMS FOR THE ENTIRE PROJECT. SEE PLANS FOR LENGTHS

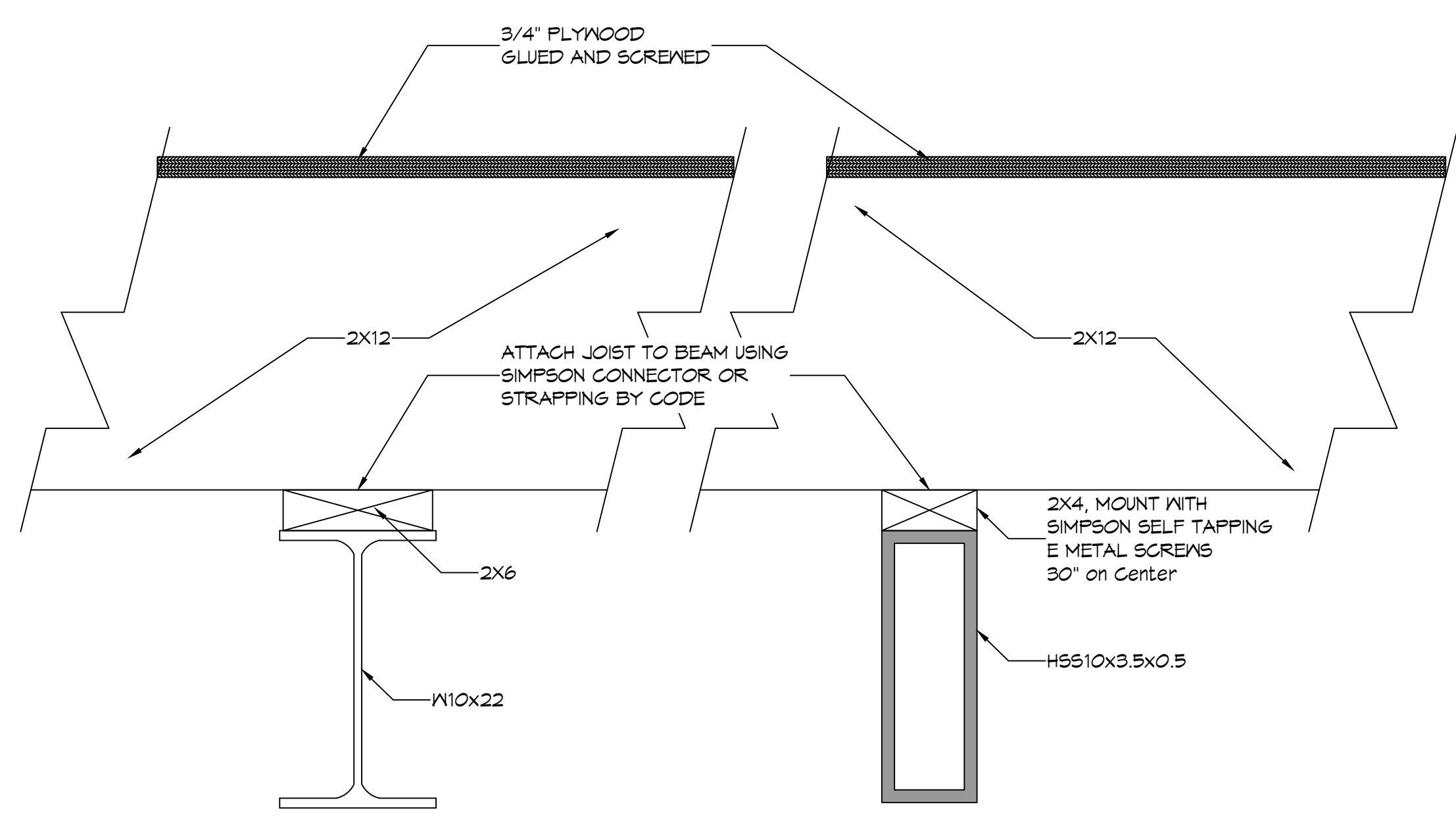
- #1 - STEEL BEAM HSS 10x3.5x0.5 or W10x22 Steel beam = 5ea
- #2 - 2ply 11-7/8" Parallam 2.OE = 29ea
- #3 - 3ply 11-7/8" Parallam 2.OE = 4ea



3 FLOOR FRAMING PLAN
SCALE: 1/4" = 1'-0"



DETAIL
SCALE: 1-1/2" = 1'-0" CONNECTION BRACKET WOOD BEAMS



STEEL BEAM DETAILS
SCALE: N.T.S.

DAMMON ENGINEERING, INC.
LOUISIANA & MISSISSIPPI

www.dammonengineering.com
info@dammon.com
PH: 985.649.5832

Chief Engineer: Brian Mistich, PE
554 Old Spanish Trail
Stuttgart, LA 70488

REVISIONS	DATE
1 DESCRIPTION 1 FLOOR BEAM DETAILS AND NOTE	02-14-24



J BADEAUX & NUNDA

218 MARLIN DRIVE
SLUDELL, LA 70461

JOB No: 07-06-2025
DATE: 07-06-2025
DRAWN BY: BAY
CHECKED BY: CSD

SHEET TITLE:
FLOOR FRAMING PLAN LEVEL ONE

DRAWING NUMBER:
S103

SHEET No: 3 of 7