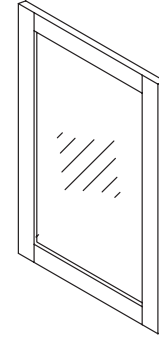


FEATURES

- 20" x 31"
- Solid select hard maple frame
- Wall-mount installation



CODES/STANDARDS APPLICABLE

Specified model meets or exceeds the following:

- None applicable

COLORS/FINISHES

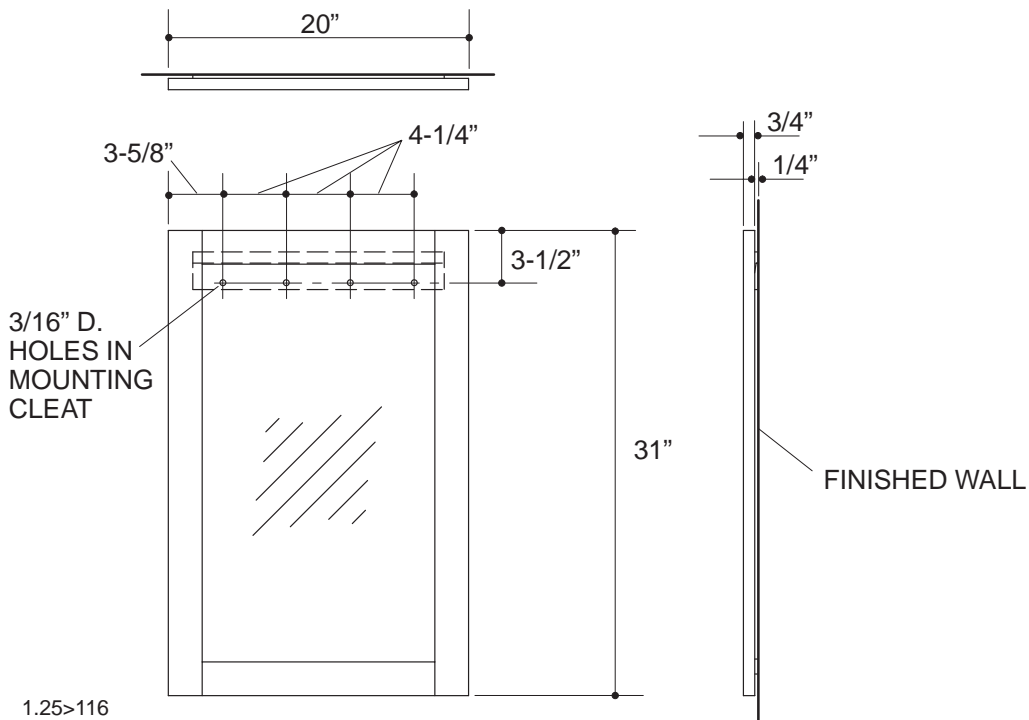
- F1 Sunwash
- F2 Black Forest

SPECIFIED MODEL:

Model	Description	Module Colors/Finishes	
		<input type="checkbox"/> F1	<input type="checkbox"/> F2
K-3113	Mirror		

PRODUCT SPECIFICATION:

The mirror shall be 20" in width and 31" in height. Mirror shall have a solid select hard maple frame. Mirror shall be wall-mount installed. Mirror shall be Kohler Model K-3113-_____.



PRODUCT DIAGRAM