

Ordering Information

Accessories/hardware:		
Jet trim kit	K-9696	required
Grip rails (pr.)	K-9653	required
Drain	K-7161-AF	recommended

Required Electrical Service

Dedicated circuit required, protected with Class A Ground-Fault Circuit-Interrupter (GFCI):	
Pump/control	120 V, 20 A, 60 Hz

Product Information

Fixture*:	basin area	top area	weight
Bathing well	1067 x 686mm	1524 x 762mm	58 Kg.
	water depth	capacity	
To overflow	406mm	326 litres	

* Approximate measurements for comparison only.

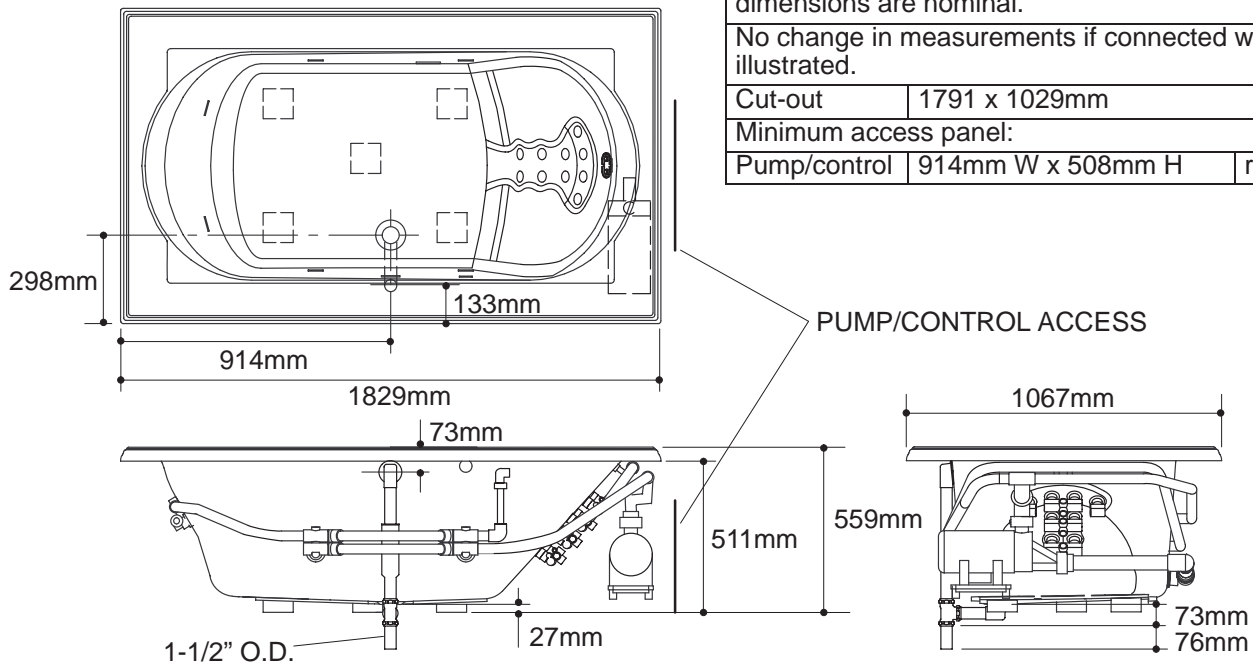
Pump:	HP	V	Hz	A
1-speed	2	120	60	18.5

Installation Notes

Refer to installation instructions included with fixture before beginning installation.

NOTICE: Unless otherwise specified, floor support under whirlpool must provide for a minimum of 36 Kg./square foot loading. If installing a rim-mount faucet, make sure there is no interference with drain overflow and circulating system before drilling any holes. Consult local and national codes for minimum air gap requirements if installing a spout on the faucet deck.

Each pump is supplied with grounding-type plug-in cord. Locate the outlet behind the whirlpool, and within 610mm of the pump.



Roughing-In Notes

Fixture conforms to ANSI Standard Z124.1. All dimensions are nominal.

No change in measurements if connected with drain illustrated.

Cut-out 1791 x 1029mm

Minimum access panel:

Pump/control 914mm W x 508mm H required

1.25>132

K-1332 Memoirs™ Bath Whirlpool
87299-1M-AA (-)

KOHLER®