

## Ordering Information

Accessories/hardware:		
Jet trim kit	K-9694	required
Grip rails (pr.)	K-9605	required
Drain	K-7167	recommended

## Required Electrical Service

Dedicated circuit required, protected with Class A Ground-Fault Circuit-Interrupter (GFCI):	
Pump/control	120 V, 20 A, 60 Hz

## Product Information

Fixture*:	basin area	top area	weight
Bathing well	47" x 27"	64" x 29"	130 lbs.
	water depth	capacity	
To overflow	19-1/2"	125 gal.	

\* Approximate measurements for comparison only.

Pump:	HP	V	Hz	A
1-speed	2	120	60	18.5

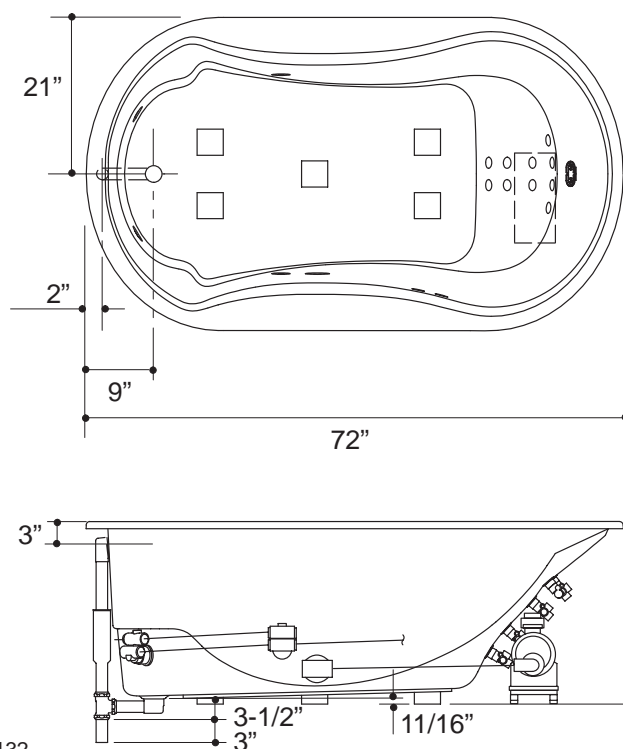
Included Components:	
Cutout template	114323-7

## Installation Notes

Refer to installation instructions included with fixture before beginning installation.

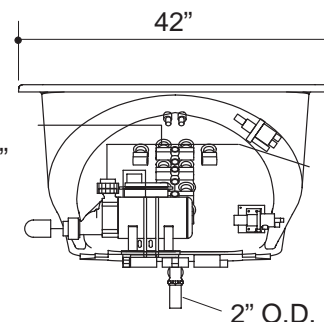
**NOTICE:** Unless otherwise specified, floor support under whirlpool must provide for a minimum of 80 lbs./square foot loading. If installing a rim-mount faucet, make sure there is no interference with drain overflow and circulating system before drilling any holes. Consult local and national codes for minimum air gap requirements if installing a spout on the faucet deck.

Each pump is supplied with grounding-type plug-in cord. Locate the outlet behind the whirlpool, and within 24" of the pump.



<b>Roughing-In Notes</b>		
Fixture conforms to ANSI Standard Z124.1. All dimensions are nominal.		
No change in measurements if connected with drain illustrated.		
Minimum access panel:		
Pump/control	36" W x 20" H	required

PUMP/CONTROL ACCESS



1.25>132