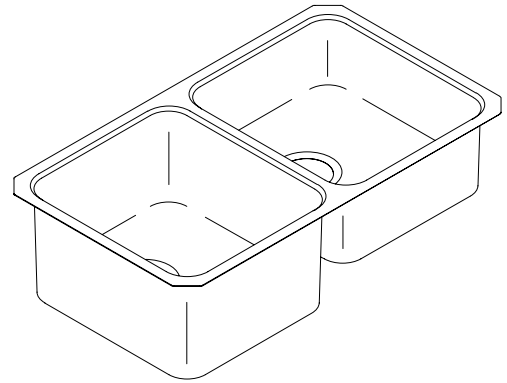


#### FEATURES

- 29-1/4" x 15-3/4"
- 18 gauge stainless steel
- Undercounter
- Double (equal) compartment
- 9-1/2" deep left basin and 7-1/2" deep right basin
- Squared bowls
- Includes installation hardware



#### CODES/STANDARDS APPLICABLE

Specified model meets or exceeds the following:

- IAPMO/UPC
- State of Massachusetts

#### COLORS/FINISHES

- NA None Applicable

#### Accessories:

- CP Polished Chrome
- 0 White
- Other Refer to Price Book for additional colors
- NA None Applicable

#### SPECIFIED MODEL:

Model	Description	Colors/Finishes	
K-3351	Undercounter sink	<input type="checkbox"/> NA	
<b>Optional Accessories</b>			
K-3190	Bottom basin rack (for either basin)	<input type="checkbox"/> 0 White	<input type="checkbox"/> Other_____
K-3277	Wire basket (for either basin)	<input type="checkbox"/> 0 White	<input type="checkbox"/> Other_____
K-3294	Hardwood cutting board (for either basin)	<input type="checkbox"/> NA	
K-8801	Duostrainer sink strainer	<input type="checkbox"/> CP	<input type="checkbox"/> Other_____

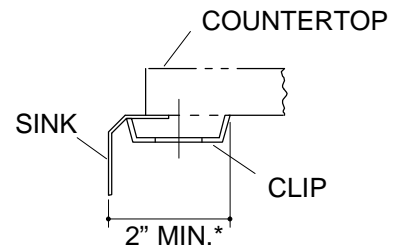
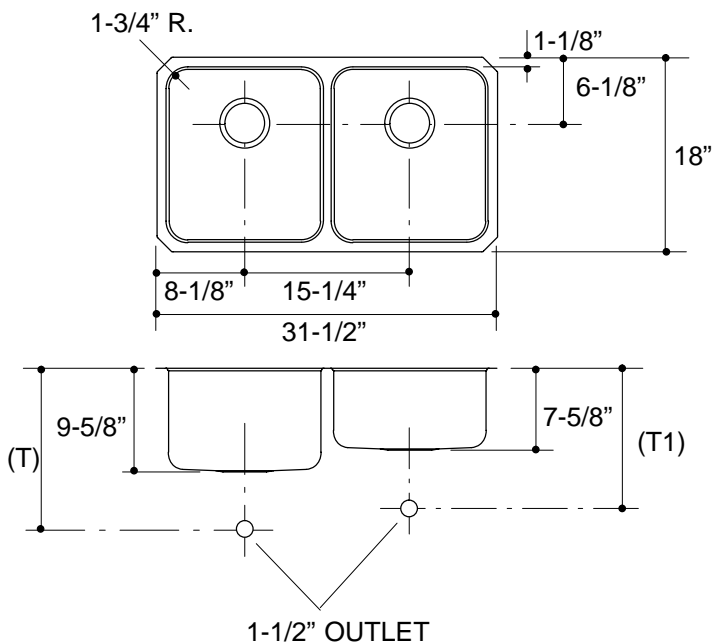
#### PRODUCT SPECIFICATION:

The undercounter sink shall be 29-1/4" in length, and 15-3/4" in width. Sink shall be made of 18 gauge stainless steel. Sink shall be double (equal) compartment with squared bowls. Sink shall have 9-1/2" deep left basin, and 7-1/2" deep right basin. Sink shall include installation hardware. Sink shall be Kohler Model K-3351-\_\_\_\_\_.

# UNDERTONE™

## PRODUCT INFORMATION

Fixture*:		basin area	water depth
Sink, left		14" x 16"	9-1/2"
Sink, right		14" x 16"	7-1/2"
Outlet	3-5/8" D.		
* Approximate measurements for comparison only.			
Included Components:			
Hardware kit		91915	
Cutout template		113808	



Roughing-In Notes
(T) Drain typically 15".
(T1) Drain typically 13".
* Allow clearance around sink rim for clip attachment.

.90<116

## PRODUCT DIAGRAM