

KOHLER® SERVICE PARTS

SINK FITTINGS

K-11920
K-11925
-PH
-B

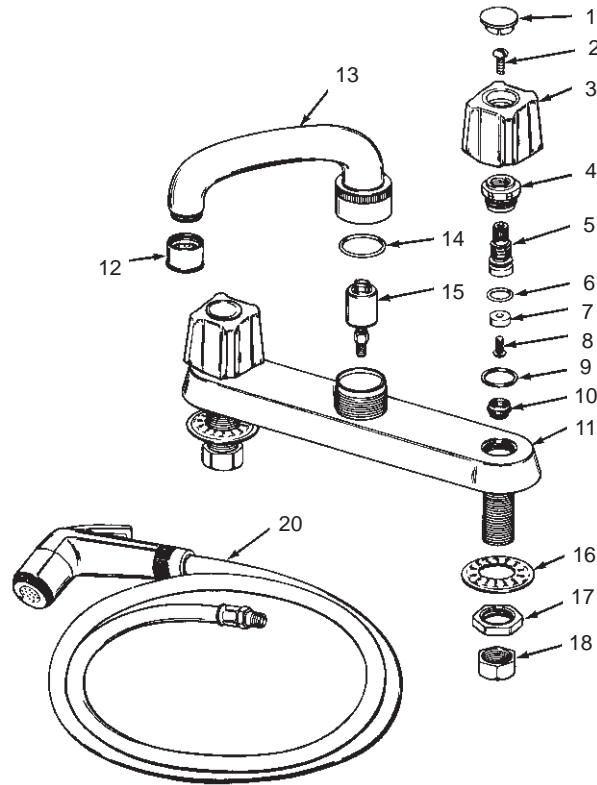
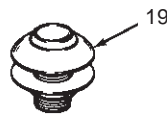
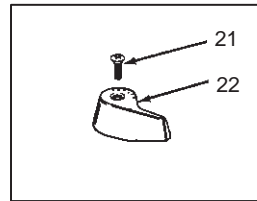
TREND
TREND

SINK FITTING
SINK FITTING
WITH PLASTIC HANDLES
WITH CHROME-PLATED LEVER HANDLES

ORDER BY KIT NUMBER OR PART NUMBER, NOT ITEM NUMBER OR KIT LETTER.

Ordering Options

Item	Part No. or Kit
1	B or C
2	D
3	E or F or G
4, 5	H or I
6, 7, 8, 9, 10	A, H or I
11	*
12	37725‡, M
13	M
14	29464, M, N
15	N
16, 17, 18	J
19	40132‡
20	20816‡
21	K
22	L



Kit Ordering Information

Kit	Kit Part No.	Kit Name
A	30404	Valve Rebuilding
B	30000	Plug Button Chrome
C	30001	Plug Button Brass
D	30098	Screw
E	30011	Chrome Handle
F	30009	Clear Acrylic Handle
G	30029	Charcoal Acrylic Handle
H	30395	Valve Replacement (Closes Clockwise)
I	30396	Valve Replacement (Closes Counterclockwise)
J	30228	Attachment S.A.
K	30109	Screw
L	30028	Shoreham Lever Handle
M	20815	Spout Assembly
N	30054	Diverter

Kit Contents

2 ea., Items 6 thru 10
1 ea. Hot, 1 ea. Cold; Item 1
1 ea. Hot, 1 ea. Cold; Item 1
2 ea., Item 2
2 ea., Item 3
2 ea., Item 3
2 ea., Item 3
1 ea., Items 4 thru 10
1 ea., Items 4 thru 10
2 ea., Items 16, 17, and 18
2 ea., Item 21
1 ea. Hot, 1 ea. Cold; Item 22
1 ea., Items 12, 13, and 14
1 ea., Items 14 and 15

KITS MAY INCLUDE EXTRA PARTS

NOTES:

Shoreham-Style Product Numbers
K-10920§ K-10925§
* Not available as a service part.

LEGEND:

‡ Specify Finish.
§ Reference Number Only.