

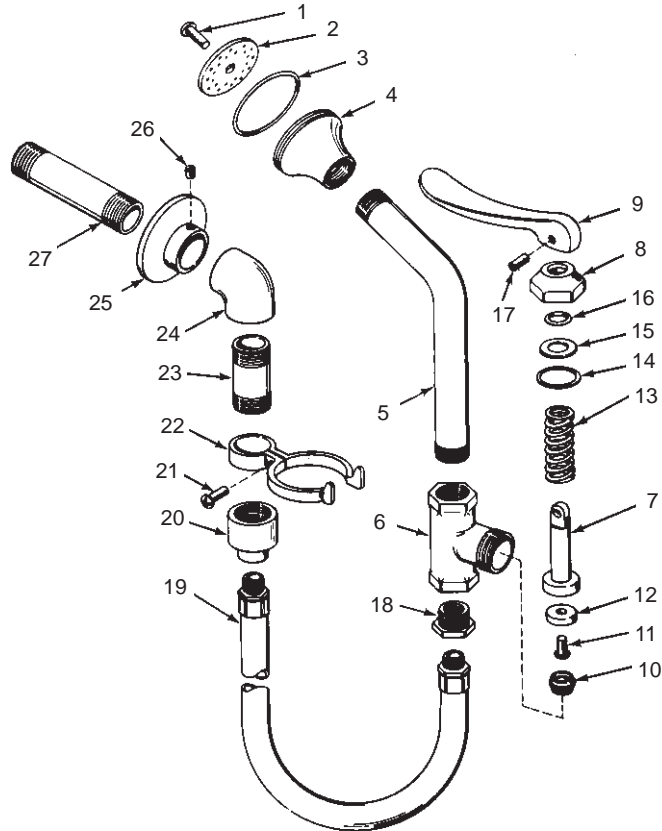
29610

SPRAY AND HOSE ASSEMBLY FOR BEDPAN WASHERS

ORDER BY KIT NUMBER OR PART NUMBER, NOT ITEM NUMBER OR KIT LETTER.

Ordering Options

Item	Part No. or Kit
1, 2, 3	B, C
4	C
5	24648‡
6, 7, 8, 9	D
10, 11, 12, 13, 14, 15, 16, 17	A, D
18	29238
19	29240
20	29239
21, 22	E
23	32429
24	24137‡
25	24005‡
26	32966
27	29161‡



Kit Ordering Information

Kit	Kit Part No.	Kit Name	Kit Contents
A	30302	Valve Rebuilding	1 ea., Items 10 thru 17
B	30266‡	Spray Face	1 ea., Items 1, 2, and 3
C	31710‡	Spray Head S.A.	1 ea., Items 1 thru 4
D	20174‡	Self-Closing Valve	1 ea., Items 6 thru 17
E	20230	Clamp	1 ea., Items 21 and 22

KITS MAY INCLUDE EXTRA PARTS

NOTES:

LEGEND:

‡ Specify Finish.