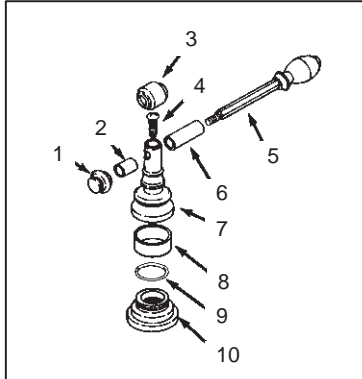


106674§ IV GEORGES BRASS™

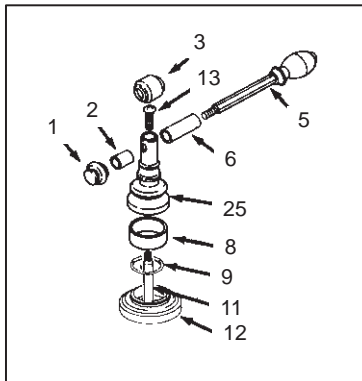
HANDLE OPTIONS

ORDER BY KIT NUMBER OR PART NUMBER, NOT ITEM NUMBER OR KIT LETTER.

LAVATORY/BIDET (VALVET)



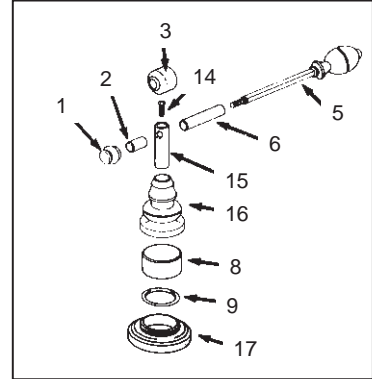
LAVATORY/BIDET (CERAMIC VALVE)



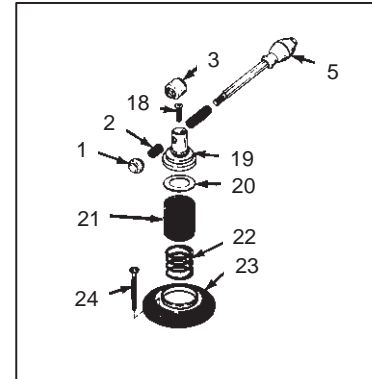
Ordering Options

Item	Part No. or Kit
1	36635‡
2	36639‡
3	36631‡
4	A
5	36622‡
6	36640‡
7	36641‡
8	36638‡
9	41364
10	C
11	B
12	D
13	E
14	A
15	36651‡
16	36652‡
17	36650‡
18	F
19	36646‡
20	G
21	42285‡
22	G
23	36643‡
24	F
25	500266‡

BATH VALVES



RITE TEMP



Kit Ordering Information

Kit	Kit Part No.	Kit Name
A	30097‡	Screw Kit (Valvet)
B	40476‡	Stem Extension
C	40445‡	Escutcheon
D	40456‡	Escutcheon
E	50285‡	Screw Kit (Ceramic Valve)
F	30376‡	Handle Screw Kit (Rite Temp)
G	30205	Spring Kit

Kit Contents

2 ea., Item 4
1 ea., Item 11
1 ea., Item 10
1 ea., Item 12
1 ea., Item 13
1 ea., Items 18; 2 ea., Item 24
1 ea., Items 20 and 22

KITS MAY INCLUDE EXTRA PARTS

NOTES:

LEGEND:

- ‡ Specify Finish.
- § Reference Number Only.