

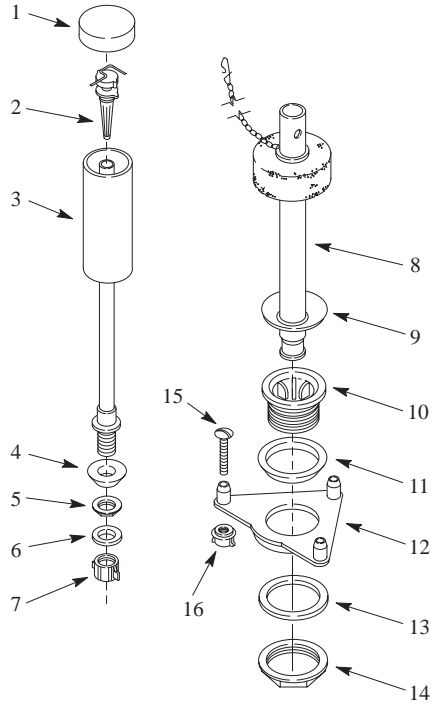
KOHLER® SERVICE PARTS

TOILET AND BIDET FITTINGS

500414§
500416§
FLOAT VALVE ASSEMBLY
FLUSH VALVE ASSEMBLY
(ULF SYSTEM)

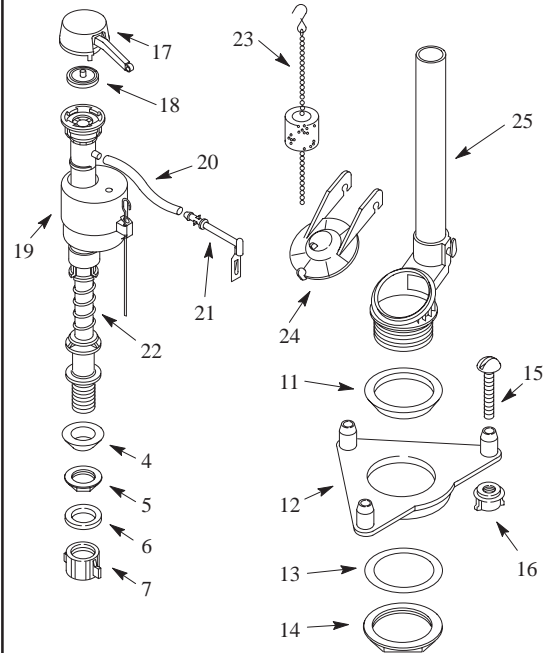
81093
81094
81095
FLOAT VALVE
FLUSH VALVE
FLUSH VALVE
(ULF SYSTEM)

ORDER BY KIT NUMBER OR PART NUMBER, NOT ITEM NUMBER OR KIT LETTER.



Ordering Options

Item	Part No. or Kit
1, 2, 3 A	
4	50843, A
5	42396, A
6	42398, A
7	42397, A
8, 9, 10	A
11	53154, B
12	51487, B
13	50752, B
14	50751, B
15, 16 C	
17	D, E, J
18	56094, D, E, J
19	E, J
20	81219, J
21	81218, J
22	E, J
23	F or G
24	81096, H or I
25	81215, H or I



Kit Ordering Information

Kit	Kit Part No.	Kit Name
A	500472	Valve Replacement Kit
B	30418	Attachment Hardware Kit
C	30419	Tank Bolt Kit
D	56095	Valve Head Assembly
E	81221	Float Valve Assembly
F	56098	Chain Assembly (Lined Tank)
G	56099	Chain Assembly (Unlined Tank)
H	81094	Flush Assembly (Lined Tank)
I	81095	Flush Assembly (Unlined Tank)
J	81093	Float Valve Assembly

Kit Contents

1 ea., items 1 thru 11, 13 and 14
1 ea., items 11, 13, and 14
3 ea., items 15 and 16
1 ea., items 17 and 18
1 ea., items 17, 18, 19 and 22
1 ea., item 23
1 ea., item 23
1 ea., items 11, 23, 24 and 25
1 ea., items 11, 23, 24 and 25
1 ea., items 17 thru 22

KITS MAY INCLUDE EXTRA PARTS

NOTES:

LEGEND:

§ Reference number only.
□ Shading indicates product discontinued.