

Ordering Information

Applicable product:		
Five-hole sink	K-5988-5	shown
Two-hole sink	K-5988-2	not shown
Accessories/hardware:		
Hardwood cutting board	K-6512	optional
Accessory tray	K-6556	optional
Bottom basin rack	K-6006	optional

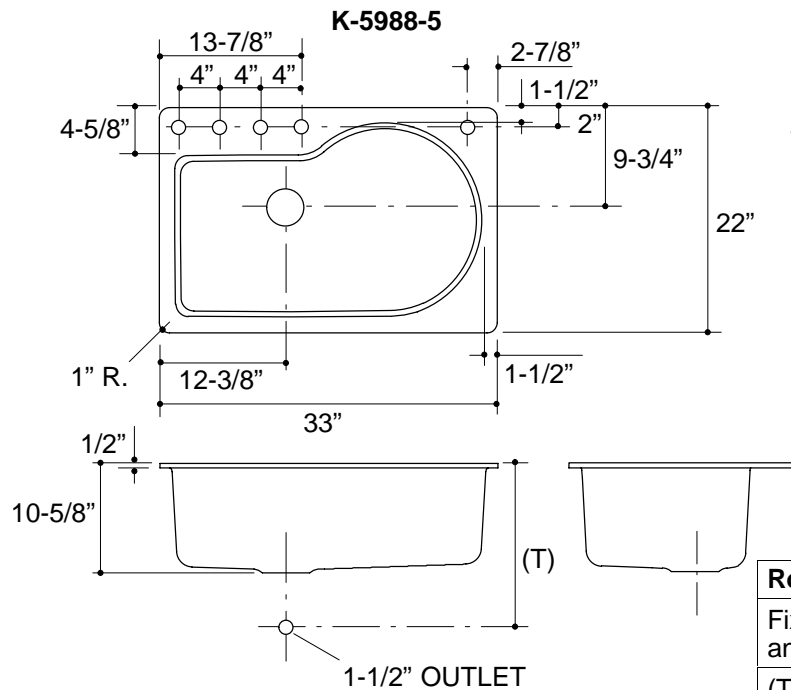
Product Information

Fixture*:		basin area	water depth
Sink		30" x 19"	10"
Outlet	3-5/8" D.		
Faucet holes	1-3/8" D.		

* Approximate measurements for comparison only.

Installation Notes

Refer to installation instructions included with fixture before beginning installation.



Roughing-In Notes

Fixture dimensions are nominal and conform to tolerances in ASME/ANSI Standard A112.19.1M.

(T) Drain typically 16".

Cutout	31-3/4" x 20-3/4" with 1" radius corners.
--------	---

.85<116

K-5988 Entrée™ Sink
112569-1-BA(-)

KOHLER[®]