

Ordering Information

| | | |
|-----------------------|-----------|-------------|
| Applicable product: | | |
| Left outlet | K-783-H | shown |
| Right outlet | K-784-H | not shown |
| Accessories/hardware: | | |
| Jet trim kit | K-9694 | required |
| Drain | K-7160-TF | recommended |
| Grip rails | K-9620 | required |

Required Electrical Service

| | |
|---|---------------------|
| Dedicated circuit required, protected with Class A Ground-Fault Circuit-Interrupter (GFCI): | |
| Pump/control | 120 V., 20 A, 60 Hz |

Product Information

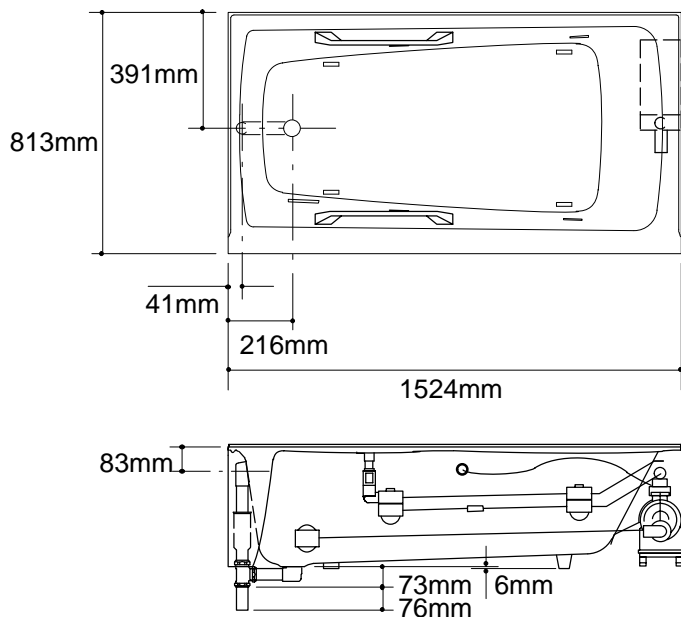
| | | | |
|---|--------------|--------------|---------|
| Fixture*: | basin area | top area | weight |
| Bathing well | 1080 x 508mm | 1365 x 610mm | 204 Kg. |
| | water depth | capacity | |
| To overflow | 273mm | 170 litres | |
| * Approximate measurements for comparison only. | | | |

| | | | | | |
|---------|---------|--------|-----|----|------|
| Pump | high HP | low HP | V | Hz | A |
| 2-speed | 1 | 1/8 | 120 | 60 | 16.5 |

Installation Notes

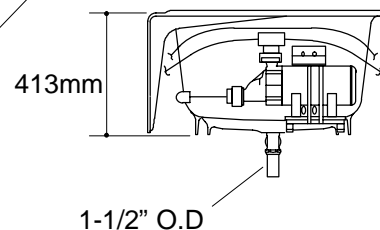
Refer to installation instructions included with fixture before beginning installation.

Pump is supplied with a grounding type plug-in cord. Locate the outlet behind the whirlpool, and within 610mm of the pump.



| | | |
|---|-----------------------|----------|
| Roughing-In Notes | | |
| Fixture dimensions are nominal and conform to tolerances in ANSI/ASME Standard A112.19.1. | | |
| No change in measurements if connected with drain illustrated. | | |
| Minimum access panel: | | |
| Pump/control | 508mm W x 381 H panel | required |

PUMP/CONTROL ACCESS



1.25>132