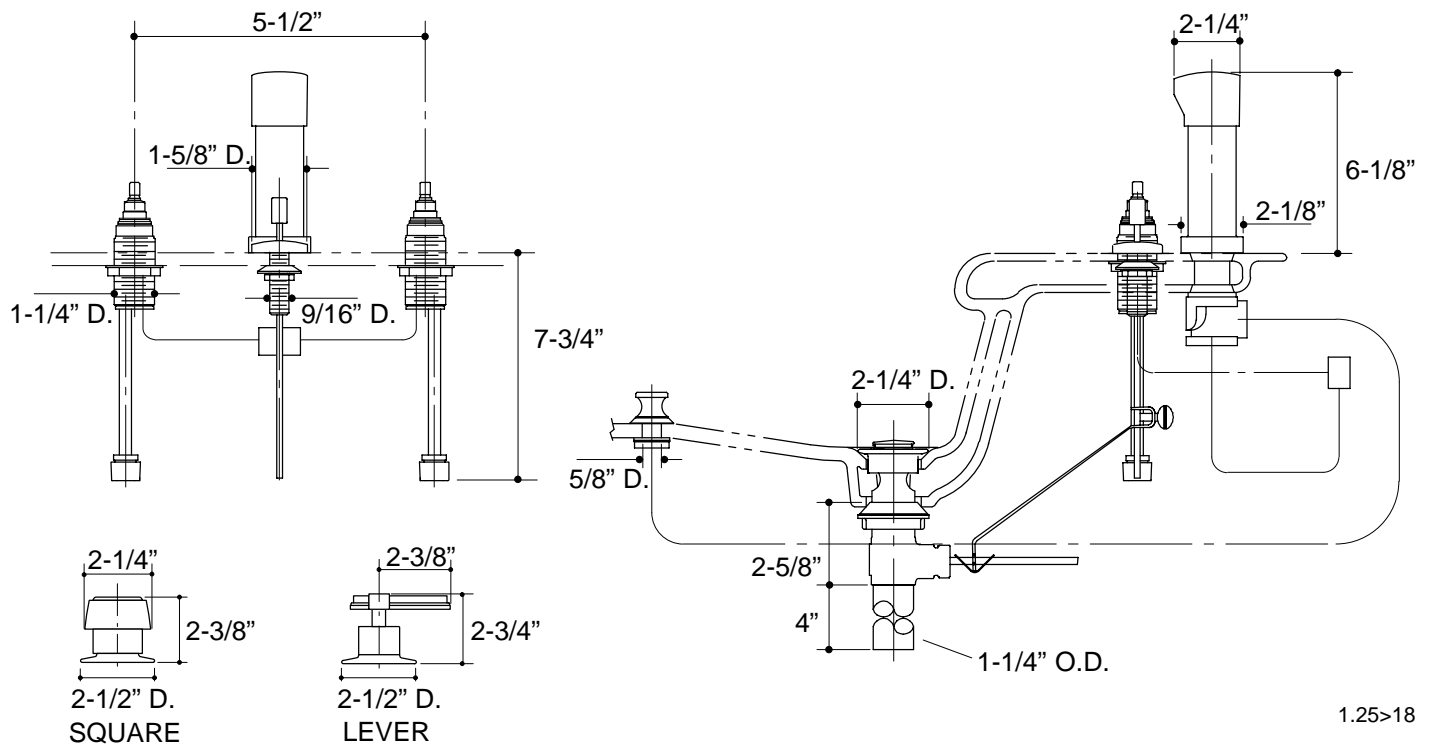


Ordering Information

Applicable faucet:	
With square handles	K-9295-2
With lever handles	K-9295-4
ADA Lever handles are ADA compliant	



1.25>18

K-9295 Alterna™ Bidet Faucet
114153-1-AA (9619)

NOTES: