

Ordering Information

Accessories/hardware:		
Tower	K-1040	required
Door enclosure	K-9759	required
Drain	K-7169-AF	required
Coralais Rite-Temp	K-1097	recommended
Coralais Two-handle	K-1096	

Required Electrical Service

Dedicated circuit required, protected with Class A Ground-Fault Circuit-Interrupter (GFCI):	
Pump/control, heater	120 V., 20 A, 60 Hz

Product Information

Fixture*:	basin area	top area	weight
Bathing well	1041 x 508mm	1397 x 635mm	127 Kg.
	water depth	capacity	
To overflow	346mm	227 litres**	

*Approximate measurements for comparison only.
**170 litre minimum required for BodySpa operation.

Pump:	HP	V	Hz	A
1-speed	1	120	60	16.5

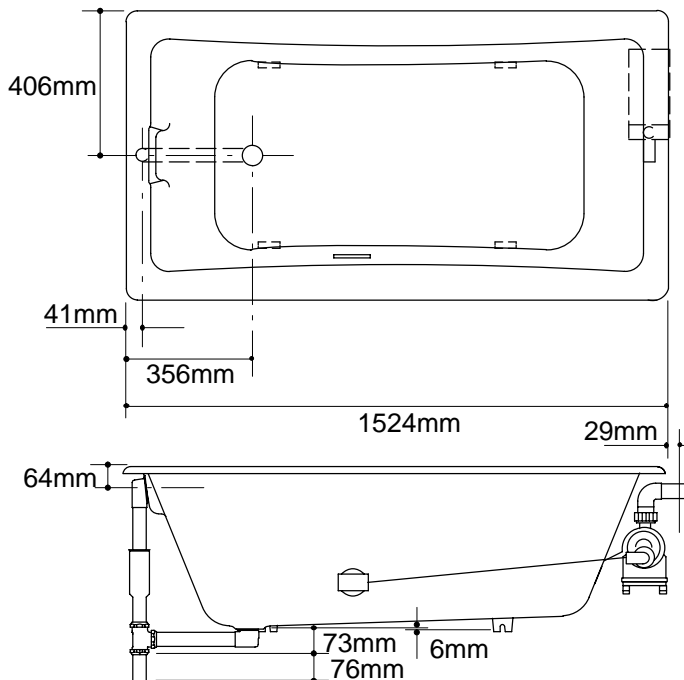
Installation Notes

Refer to installation instructions included with fixture before beginning installation.

Allow 2089mm to 2102mm from sub-floor to finished ceiling or header for proper enclosure installation.

Top of unit must be enclosed to retain heat and contain water spray.

Pump is supplied with a grounding type plug-in cord. Locate the outlet behind the bath, and within 610mm of the pump.



1.25>132

Roughing-In Notes		
Fixture dimensions are nominal and conform to tolerances in ANSI/ASME Standard A112.19.1.		
No change in measurements if connected with drain illustrated.		
Pump extends 29mm beyond the bath rim. Make provisions during rough-in or installation.		
Cut-out	1486 x 775mm	
Minimum access panel:		
Pump/control	508mm W x 305mm H panel	required

