

### Ordering Information

Accessories/hardware:		
Tower	K-1040	required
Door enclosure	K-9735	required
Drain	K-7169-AF	required
Coralais Rite-Temp	K-1097	recommended
Coralais Two-handle	K-1096	

### Required Electrical Service

Dedicated circuit required, protected with Class A Ground-Fault Circuit-Interrupter (GFCI):	
Pump/control	120 V., 20 A, 60 Hz

### Product Information

Fixture*:	basin area	top area	weight
Bathing well	1245 x 559mm	1575 x 711mm	202 Kg.
	water depth	capacity	
To overflow	432mm	337 litres**	

\*Approximate measurements for comparison only.

\*\*189 litre minimum required for BodySpa operation.

Pump:	HP	V	Hz	A
1-speed	1	120	60	16.5

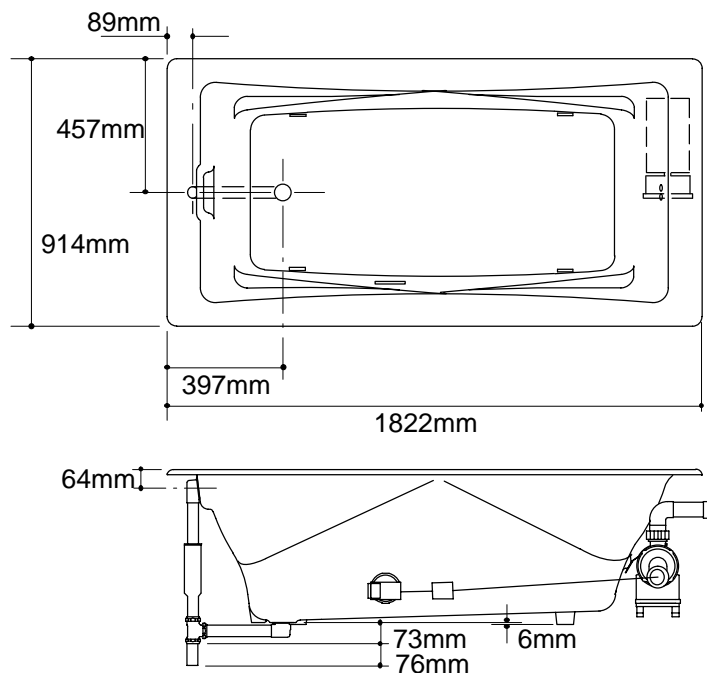
### Installation Notes

Refer to installation instructions included with fixture before beginning installation.

Allow 2156mm to 2169mm from sub-floor to finished ceiling or header for proper enclosure installation.

Top of unit must be enclosed to retain heat and contain water spray.

Pump is supplied with a grounding type plug-in cord. Locate the outlet behind the bath, and within 610mm of the pump.



1.25>132

### Roughing-In Notes

Fixture dimensions are nominal and conform to tolerances in ANSI Standard A112.19.1M.

No change in measurements if connected with drain illustrated.

Cut-out 1784 x 876mm

Minimum access panel:

Pump/control 508mm W x 305mm H panel required

