

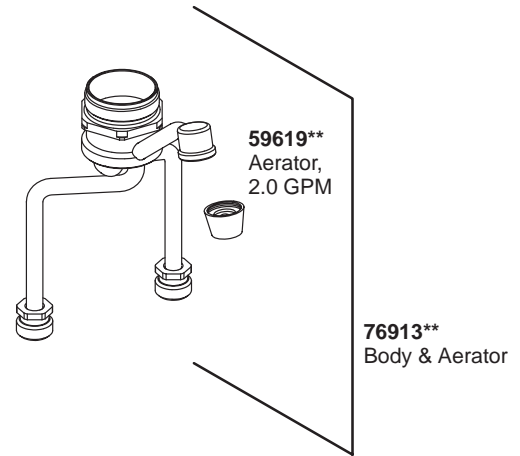
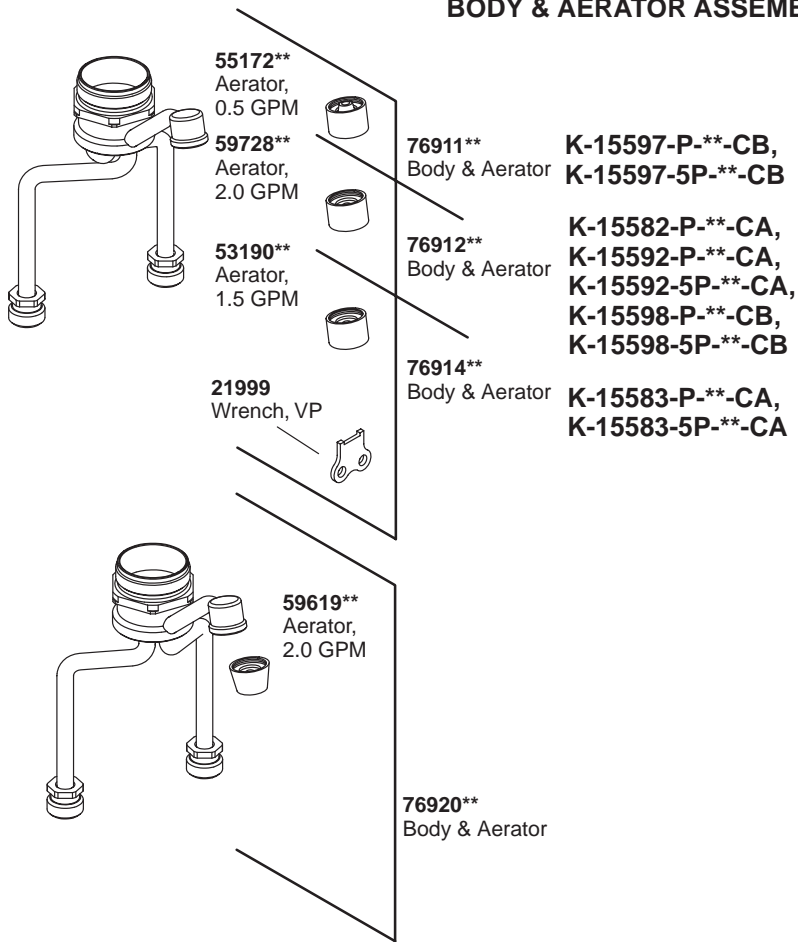
K#	Acrylic Handle	Long Lever Handle	Short Lever Handle	Plastic Pop-Up Drain	Pop-Up Drain	Grid Drain	Long Supply Tubes	Ground Joints
K-15181-**-DA/FC	X				X			
K-15181-L**-DA/FC	X				X		X	
K-15181-P**-DA/FC	X				X			X
K-P15181-**-BA/FC	X				X			
K-P15181-D**-AA/FC	X			X				
K-P15181-L**-BA/FC	X				X		X	
K-P15181-LD**-AA/FC	X			X			X	
K-P15181-P**-BA/FC	X				X			X
K-P15181-PD**-AA/FC	X			X				X
K-15182-**-CA/FC			X		X			
K-15182-L**-CA/FC			X		X		X	
K-15182-P**-DA/FC			X		X			X
K-P15182-**-BA/FC			X		X			
K-P15182-D**-AA/FC			X	X				
K-P15182-L**-BA/FC			X		X		X	
K-P15182-LD**-AA/FC			X	X			X	
K-P15182-P**-BA/FC			X		X			X
K-P15182-PD**-AA/FC			X	X				X
K-15191-**-CA	X							
K-15191-P**-CA	X							X
K-15192-**-CA			X					
K-15192-P**-CA			X					X
K-15198-**-CB/FC			X			X		
K-15198-L**-CB			X			X	X	
K-15198-P**-CB			X			X		X
K-15199-**-CA/FC			X					
K-15199-L**-CA			X				X	
K-15199-P**-CA/FC			X					X
K-15582-**-CA/FC			X					
K-15582-P**-CA/FC			X		X			X
K-15583-**-CA/FC			X		X			
K-15583-5**-CA/FC		X			X			
K-15583-5P**-CA/FC		X			X			X
K-15583-P**-CA/FC			X		X			X
K-15592-**-CA/FC			X					

**Finish/color code must be specified when ordering.

K#	Acrylic Handle	Long Lever Handle	Short Lever Handle	Plastic Pop-Up Drain	Pop-Up Drain	Grid Drain	Long Supply Tubes	Ground Joints
K-15592-5-**-CA/FC		X						
K-15592-5P-**-CA/FC		X						X
K-15592-P-**-CA/FC			X					X
K-15597-**-CB/FC			X			X		
K-15597-5-**-CB/FC		X				X		
K-15597-5P-**-CB/FC		X				X		X
K-15597-P-**-CB/FC			X			X		X
K-15598-**-CB/FC			X			X		
K-15598-5-**-CB/FC		X				X		
K-15598-5P-**-CB/FC		X				X		X
K-15598-P-**-CB/FC			X			X		X

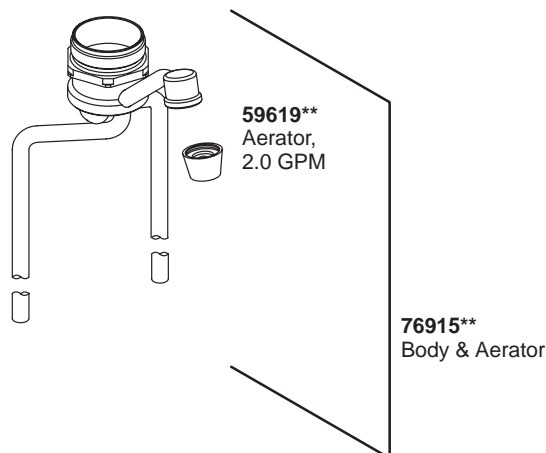
**Finish/color code must be specified when ordering.

BODY & AERATOR ASSEMBLIES

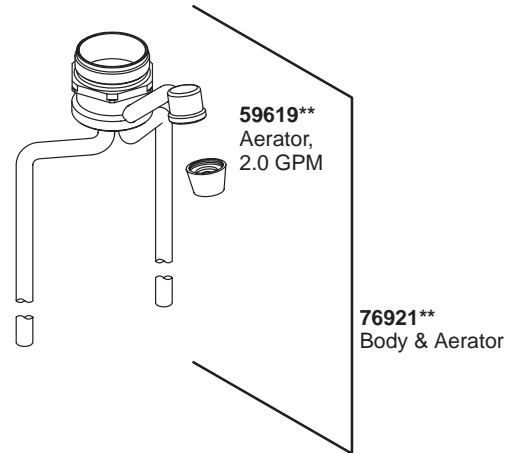


K-15182-P-**-CA, K-P15182-P-**-BA,
K-P15182-PD-**-AA, K-15192-P-**-CA,
K-15198-P-**-CB, K-15199-P-**-CA

K-15181-P-**-DA, K-15191-P-**-CA,
K-P15181-P-**-BA, K-P15181-PD-**-AA



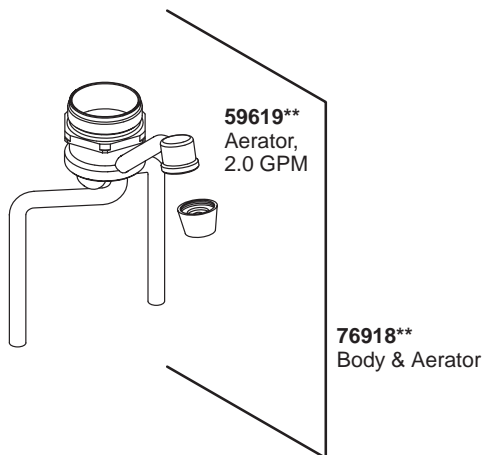
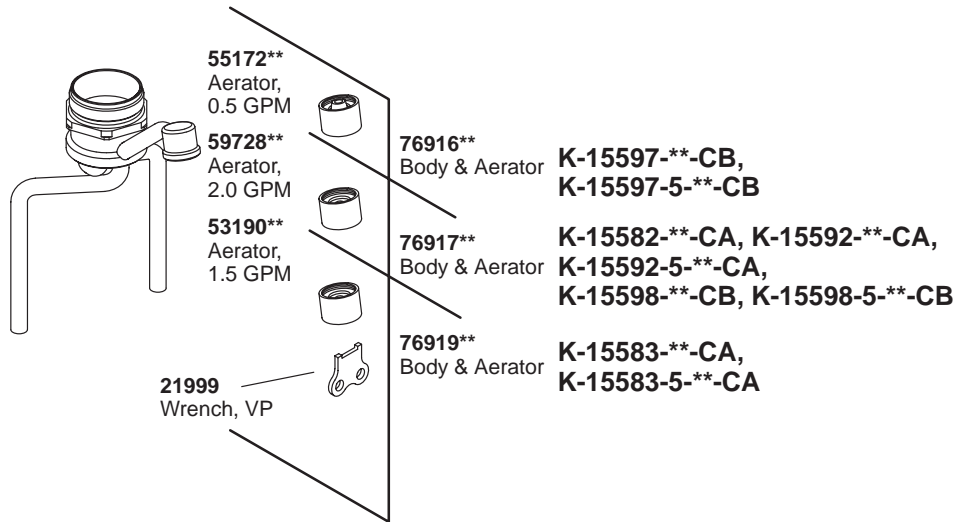
K-15182-L-**-CA, K-P15182-L-**-BA,
K-P15182-LD-**-AA, K-15198-L-**-CB,
K-15199-L-**-CA



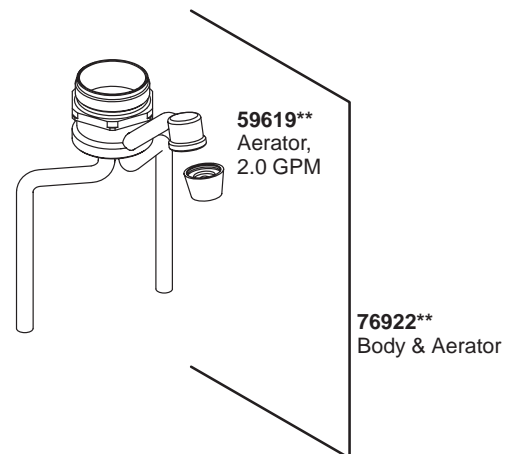
K-15181-L-**-DA,
K-P15181-L-**-BA,
K-P15181-LD-**-AA

**Finish/color code must be specified when ordering.

BODY & AERATOR ASSEMBLIES



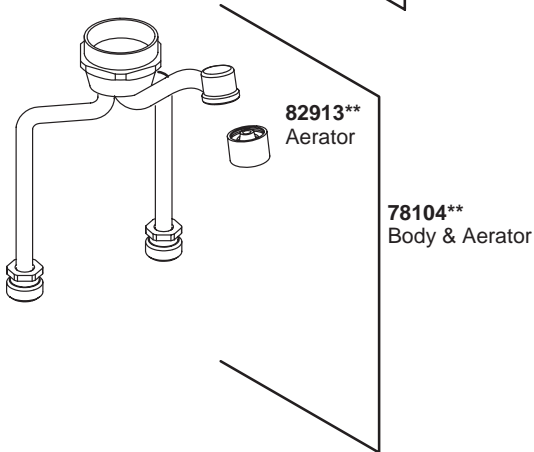
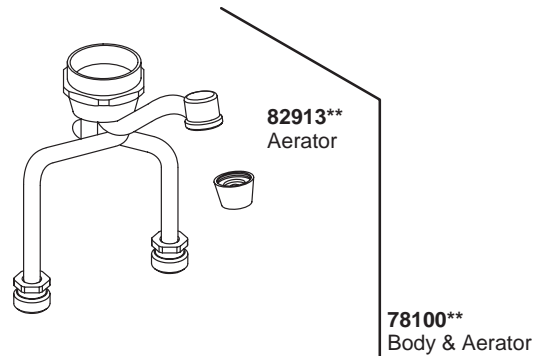
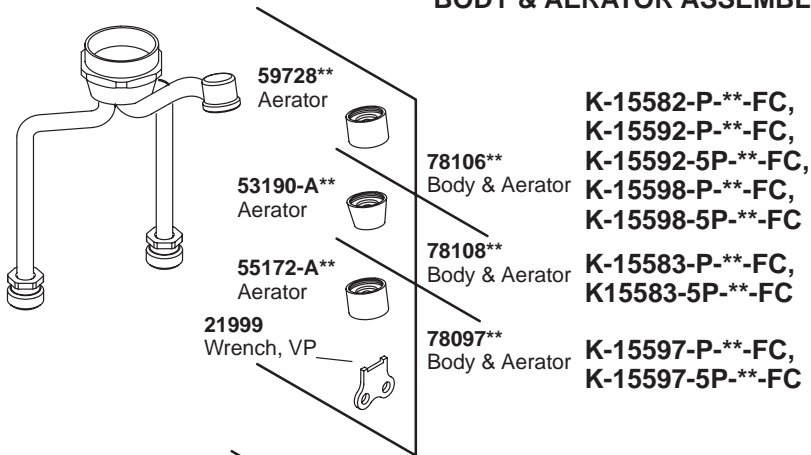
K-15182--CA, K-P15182-**-BA,**
K-P15182-D--AA, K-15192-**-CA,**
K-15198--CB, K-15199-**-CA**



K-15181--DA, K-P15181-**-BA,**
K-P15181-D--AA, K-15191-**-CA**

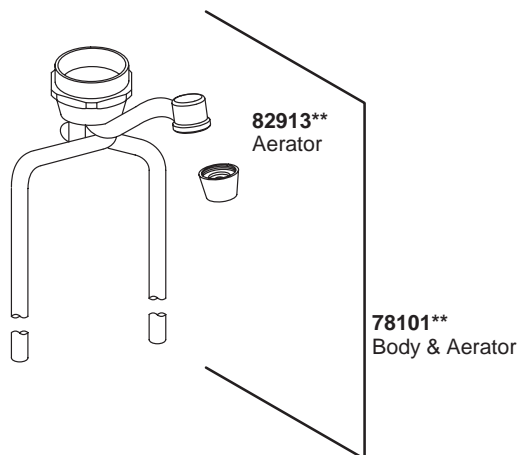
****Finish/color code must be specified when ordering.**

BODY & AERATOR ASSEMBLIES

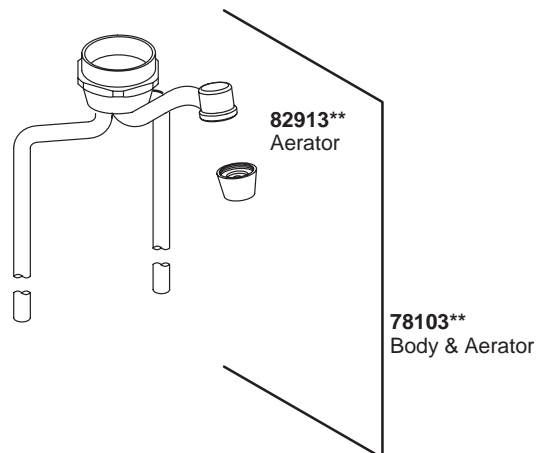


K-15181-P-**-FC,
K-P15181-P-**-FC,
K-P15181-PD-**-FC

K-15182-P-**-FC, K-P15182-P-**-FC,
K-P15182-PD-**-FC, K-15199-P-**-FC



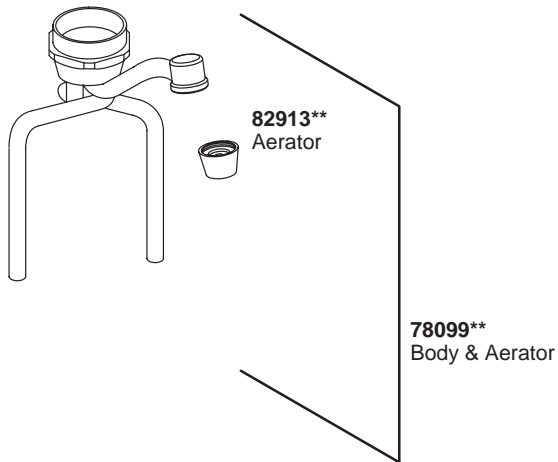
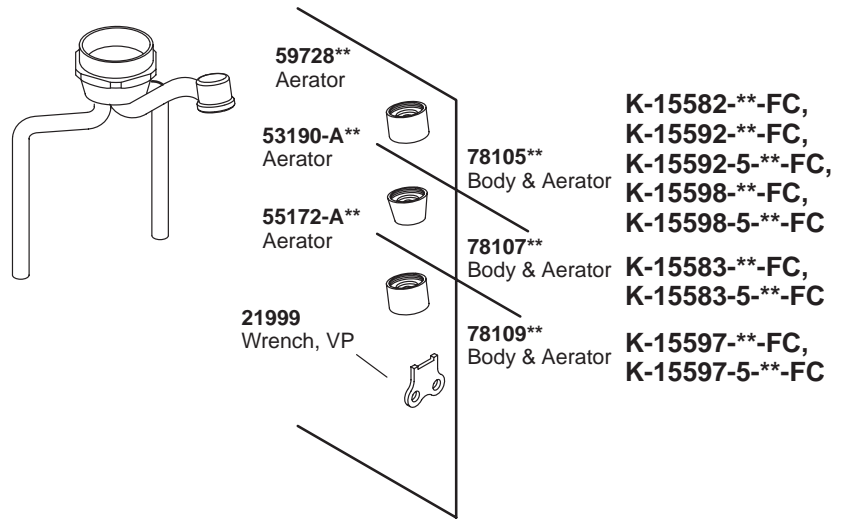
K-15181-L-**-FC,
K-P15181-L-**-FC,
K-P15181-LD-**-FC



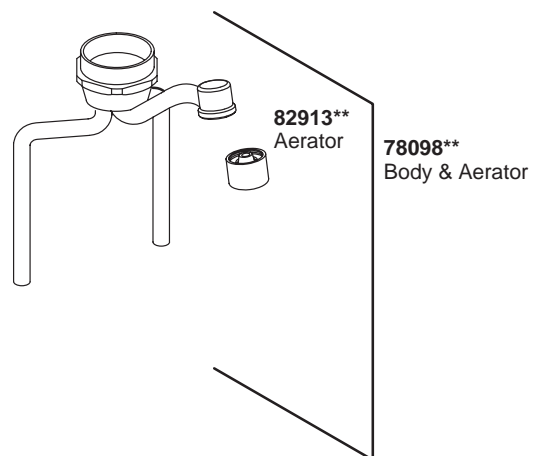
K-15182-L-**-FC, K-P15182-L-**-FC,
K-P15182-LD-**-FC

**Finish/color code must be specified when ordering.

BODY & AERATOR ASSEMBLIES

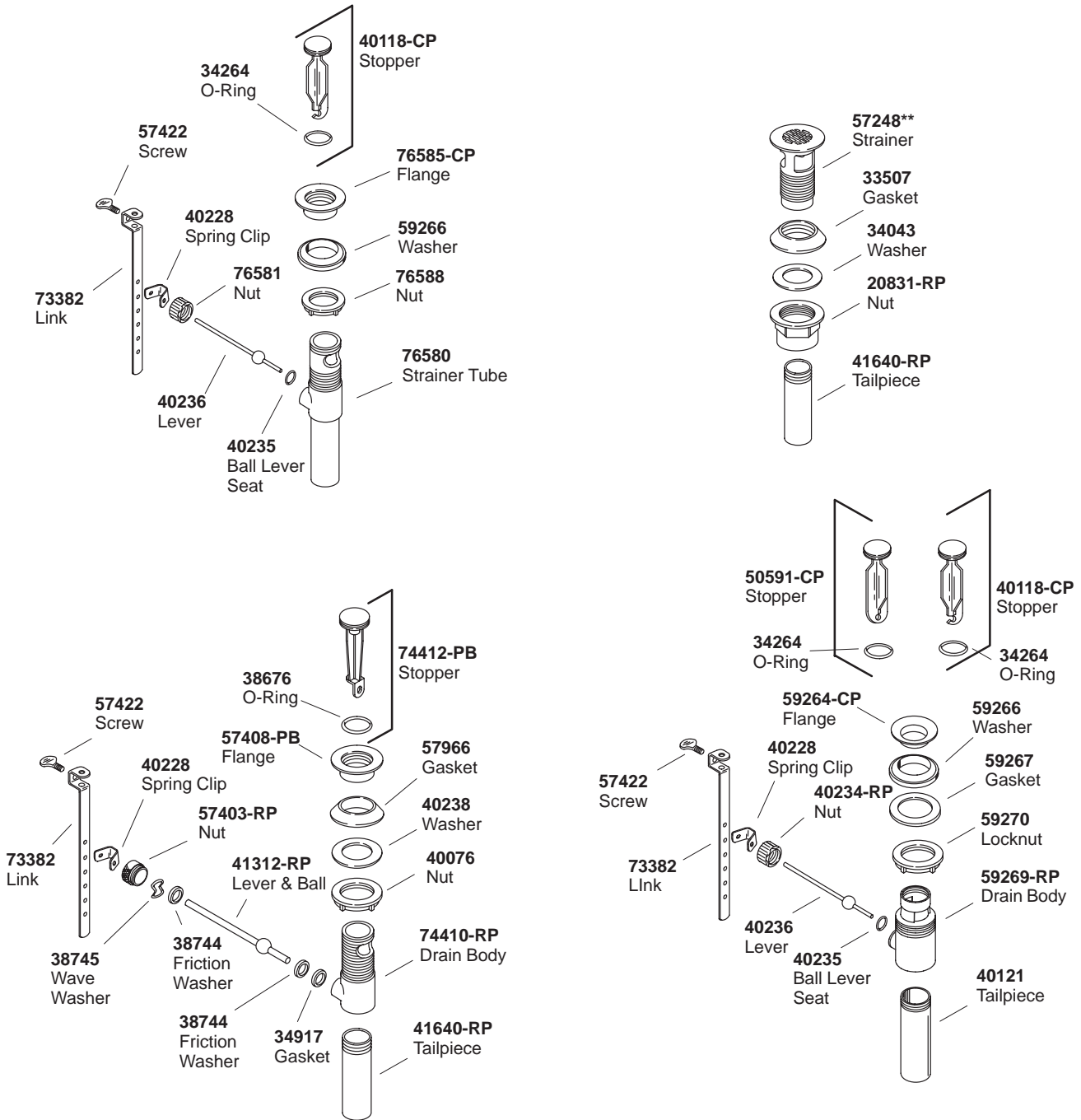


K-15181-**-FC,
K-P15181-**-FC,
K-P15181-D-**-FC



K-15182-**-FC, K-P15182-**-FC,
K-P15182-D-**-FC, K-15198-**-FC,
K-15199-**-FC

**Finish/color code must be specified when ordering.



**Finish/color code must be specified when ordering.