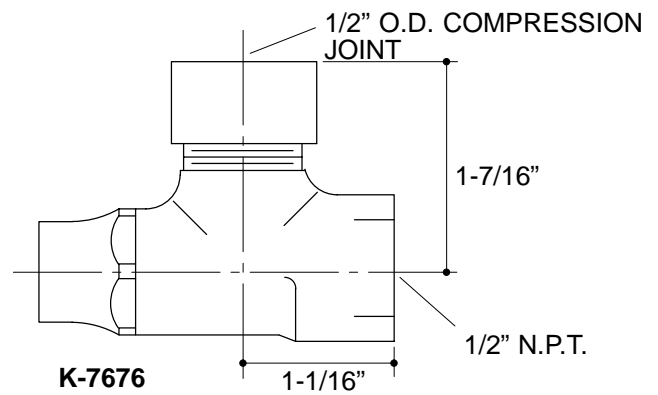
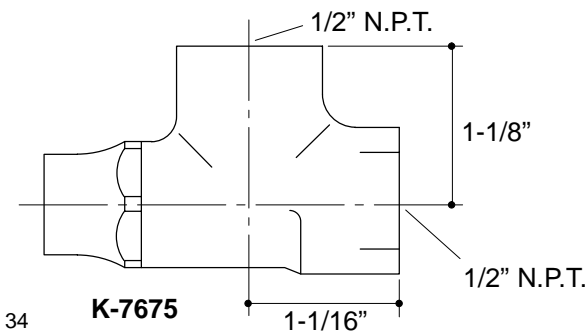
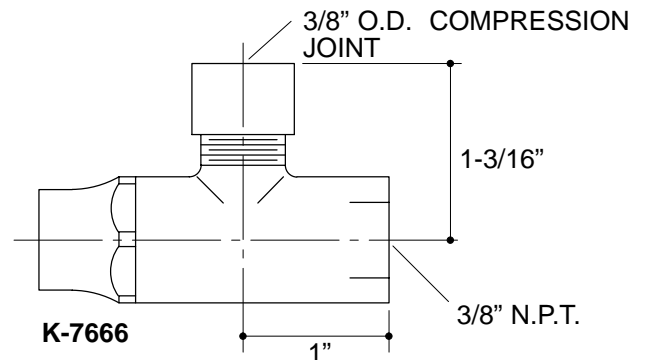
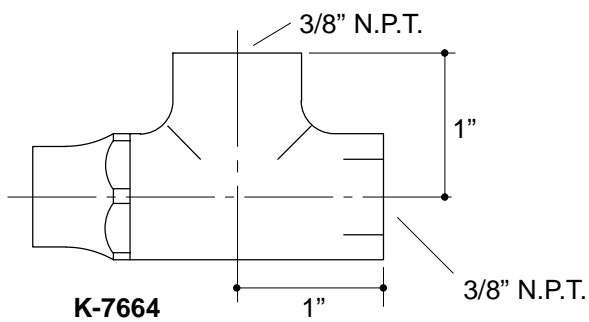


Ordering Information

Applicable angle stop (single):	
3/8" N.P.T. tap	K-7664
3/8" N.P.T. tap for flexible riser	K-7666
1/2" N.P.T. tap	K-7675
1/2" N.P.T. tap for flexible riser	K-7676



K-7664, K-7666, K-7675, K-7676 Angle Stop
115100-1-AA (9619)

NOTES: