

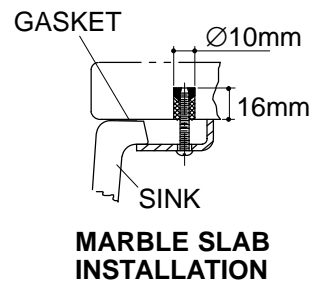
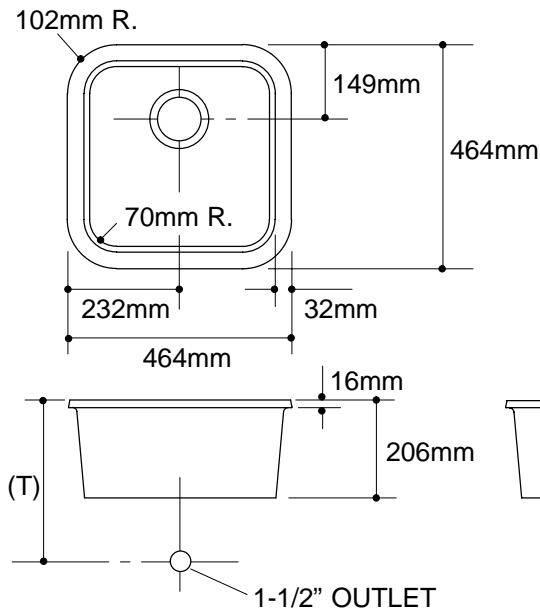
Ordering Information

Applicable sink:		
Fruits of Labor™	K-14578-FR	shown
Life in the Country™	K-14578-LC	shown

Product Information

Fixture*:		basin area	water depth
Sink		406 x 406mm	183mm
Outlet	Ø98mm		
* Approximate measurements for comparison only.			

Included Components:	
Gasket	84724
Basin clamp accessory pack	52047
Bottom basin rack	84745
Cutout template	115756-7



Roughing-In Notes

Fixture dimensions are nominal and conform to tolerances in ASME/ANSI Standard A112.19.9M.

(T) Drain typically 343mm.

Supplied basin clamp assemblies require 25mm minimum countertop thickness. Installer must supply hardware for thinner countertops.

For multiple bowl undercounter installations, a minimum distance of 83mm is required between cut-outs. Countertop supplier to determine required support.