

SHOWER RECEPTOR

K-9547, K-9548

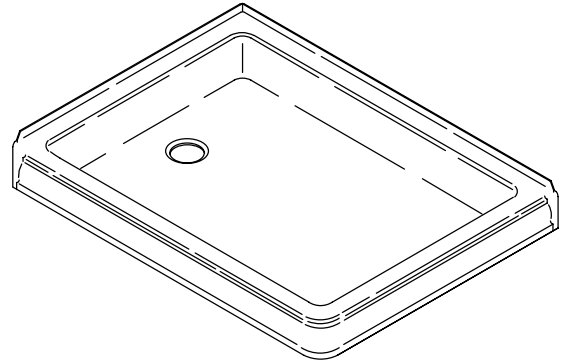
FEATURES

- 48" x 34"
- Acrylic
- Reinforced with fiberglass
- Slip resistant bottom

CODES/STANDARDS APPLICABLE

Specified model meets or exceeds the following:

- ANSI Z124.2
- IAPMO/UPC
- Canadian Standards Association (CSA)
- State of Massachusetts



COLORS/FINISHES

- 0 White
- Other Refer to Fixtures Price Book for additional colors

Accessories:

- CP Polished Chrome
- PB Polished Brass
- SH Bright Silver
- BH Bright Brass

SPECIFIED MODEL:

Model	Description	Colors/Finishes	
K-9547	48" x 34" shower receptor with outlet on left	<input type="checkbox"/> 0 White	<input type="checkbox"/> Other_____
K-9548	48" x 34" shower receptor with outlet on right	<input type="checkbox"/> 0 White	<input type="checkbox"/> Other_____

Recommended Accessories				
K-9132	Drain	<input type="checkbox"/> CP	<input type="checkbox"/> PB	<input type="checkbox"/> Other_____
Optional Accessories				
K-701566	Focal Corner Entry shower enclosure*	<input type="checkbox"/> SH	<input type="checkbox"/> BH	<input type="checkbox"/> 0-White

* Refer to Fixtures Price Book for glass options.

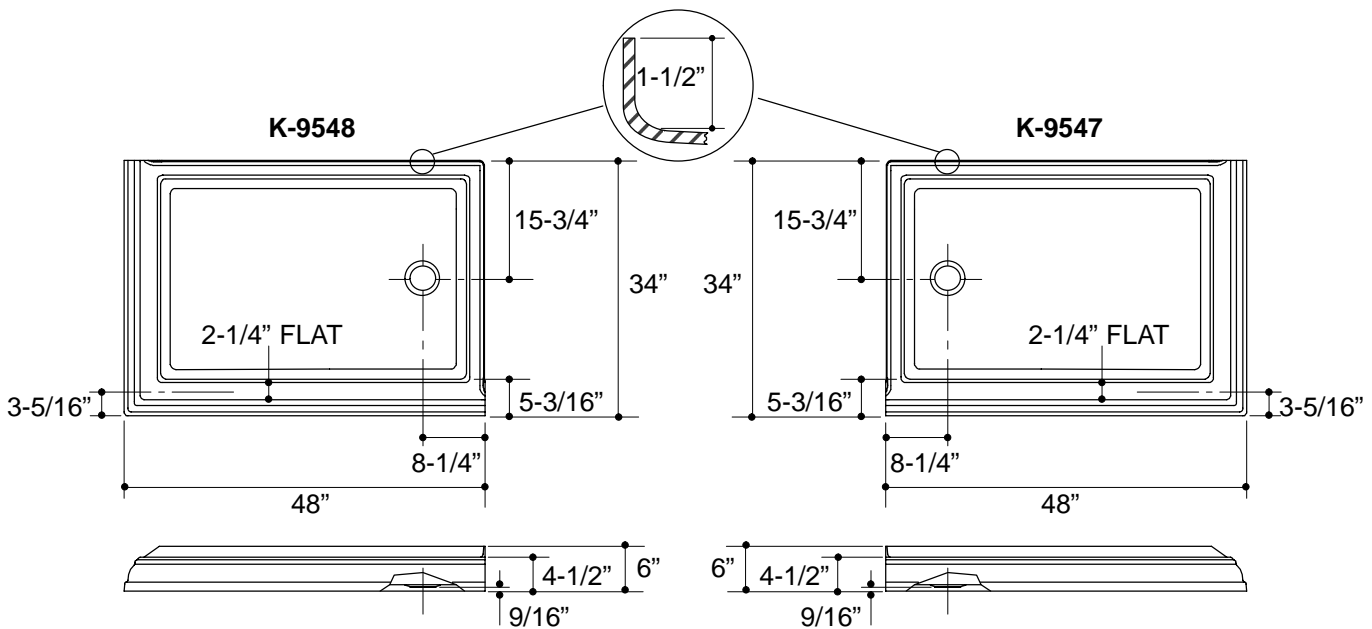
PRODUCT SPECIFICATION:

The shower receptor shall be 48" in length and 34" in width, with outlet on left(K-9547), or 48" in length and 34" in width, with outlet on right(K-9548). Shower receptor shall be made of acrylic reinforced with fiberglass. Shower receptor shall have slip resistant bottom. Shower receptor shall be Kohler Model K-_____-_____.

MEMOIRS®

PRODUCT INFORMATION

Fixture:	
Weight	36 lbs.
Drain Outlet	3-3/8" D.
Configuration	1-piece



1.25>132

PRODUCT DIAGRAM