

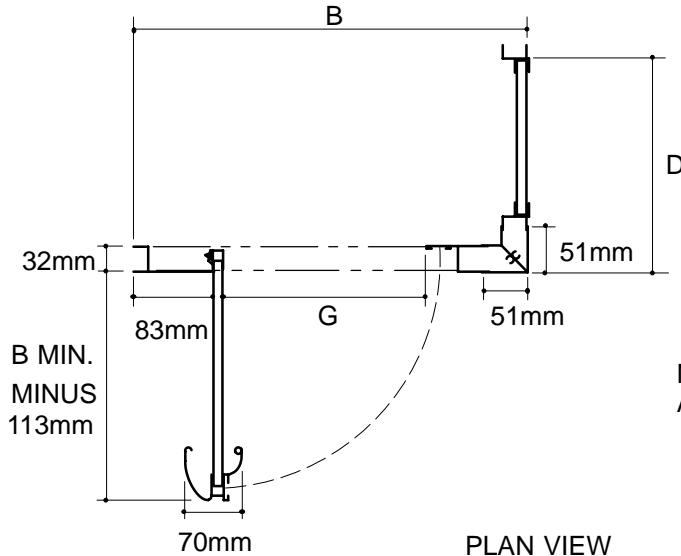
Ordering Information

Applicable product:

Reference models and measurements below.

Installation Notes

Refer to installation instructions included with fixture before beginning installation.



NOTE: RETURN PANEL MAY BE ATTACHED ON EITHER SIDE.

PLAN VIEW

Roughing-In Notes	A	B	D	G (MAX.)
K-751200 Custom	1270-1829mm	711-965mm	254-1270mm	559-711mm

