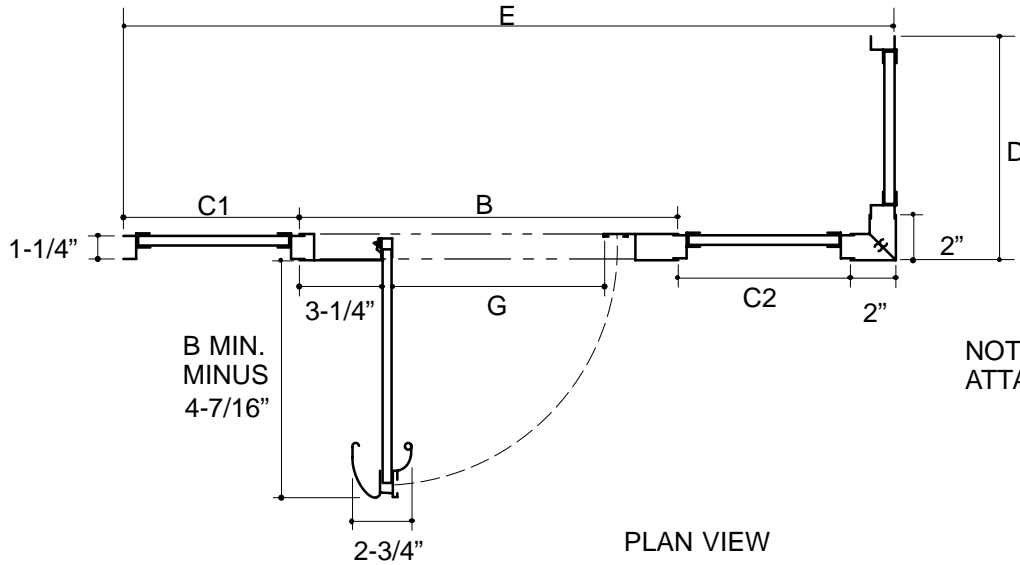


### Ordering Information

Applicable product:  
Reference models and measurements below.

### Installation Notes

Refer to installation instructions included with fixture before beginning installation.



NOTE: RETURN PANEL MAY BE ATTACHED ON EITHER SIDE.

Roughing-In Notes	A	B	C1	C2	D	E	G (MAX.)
K-731400 Custom	60"-72"	26"-36"	8"-24"	8"-24"	10"-50"	44"-84"	18"-28"
R-Specified when ordered-MAX. 52".							

