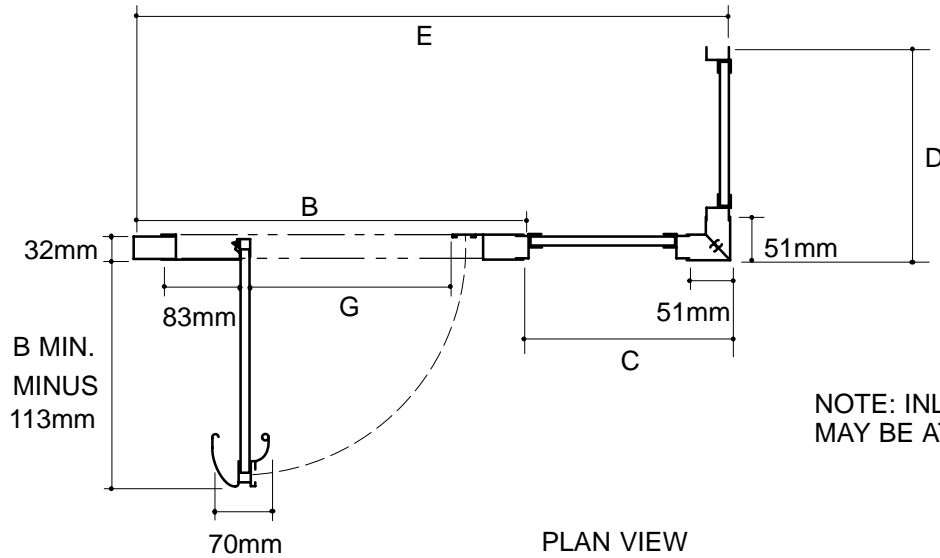


Ordering Information

Applicable product:
Reference models and measurements below.

Installation Notes

Refer to installation instructions included with fixture before beginning installation.



NOTE: INLINE AND RETURN PANEL
MAY BE ATTACHED ON EITHER SIDE.

Roughing-In Notes	A	B	C	D	E	G (MAX.)
K-781200	1524-1829mm	660-914mm	254-914mm	254-1270mm	914-1829mm	457-711mm
Custom						
R-Specified when ordered-MAX. 1321mm.						

