

**THERMOSTATIC MIXER TRIM
K-T9494-7**

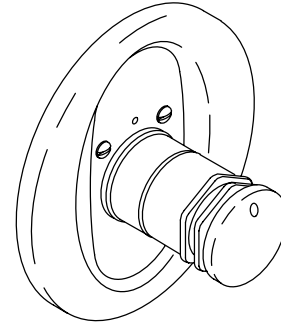
FEATURES

- *Wall-mount*
- *Brass construction*

CODES/STANDARDS APPLICABLE

Specified model meets or exceeds the following:

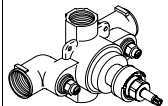
- *ASME/ANSI A112.18.1M*
- *CSA B125*



COLORS/FINISHES

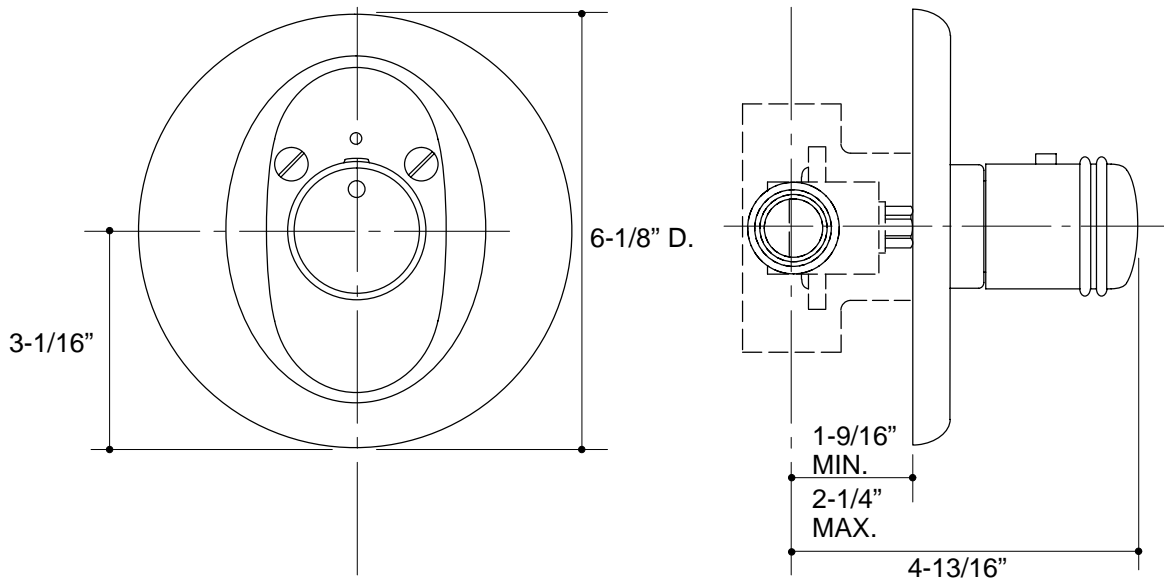
- CP Polished Chrome
- PB Polished Brass
- Other Refer to Faucets Price Book for additional finishes

SPECIFIED MODEL: For complete faucet, both faucet trim and thermostatic mixer valve must be specified.

| Model | Description | | | |
|---------------------------|---|---|-----------------------------|-------------------------------------|
| K-T9494-7 | Thermostatic Mixer with Volume Control Trim | <input type="checkbox"/> CP | <input type="checkbox"/> PB | <input type="checkbox"/> Other_____ |
| Required Accessory | |  | | |
| K-400-K | 3/4" Thermostatic Mixer | <input type="checkbox"/> NA | | |

PRODUCT SPECIFICATION:

Single-handle wall-mount thermostatic mixer trim shall be of brass construction. Trim shall include faceplate with handle. Faucet trim shall be Kohler Model K-T9493-7-_____ and thermostatic mixer shall be K-400-K-NA.



PRODUCT DIAGRAM