

## Ordering Information

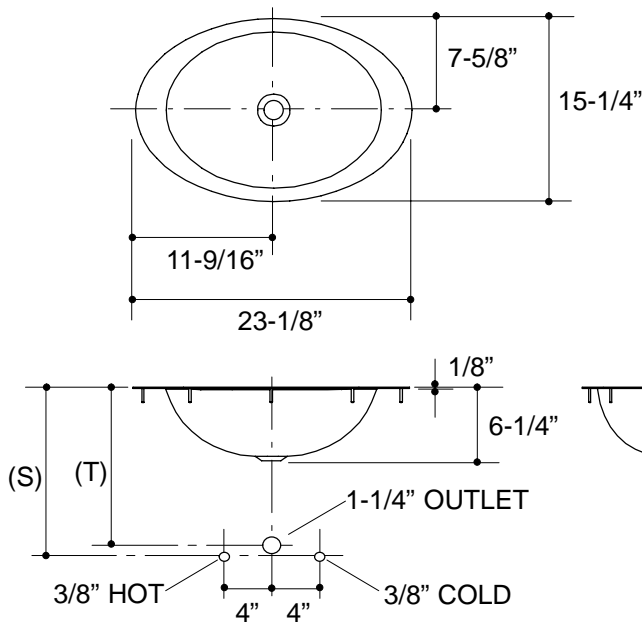
| Applicable product: |          |       |
|---------------------|----------|-------|
| Satin finish        | K-2601-S | shown |
| Mirror finish       | K-2601-M | shown |
| Herringbone finish  | K-2601-C | shown |
| Mottled finish      | K-2601-D | shown |
| Crosschecked finish | K-2601-E | shown |

## Product Information

| Fixture*: |           | basin area | water depth |
|-----------|-----------|------------|-------------|
| Lavatory  |           | 18" x 13"  | 5-7/8"      |
| Outlet    | 1-5/8" D. |            |             |

\* Approximate measurements for comparison only.

| Included Components:                |          |
|-------------------------------------|----------|
| Adhesive sealant                    | 63034    |
| Drain gasket                        | 33507    |
| Tube                                | 62603    |
| Basin clamp assembly (self-rimming) | 56655    |
| Basin clamp assembly (undercounter) | 68922    |
| Cutout template                     | 116847-7 |



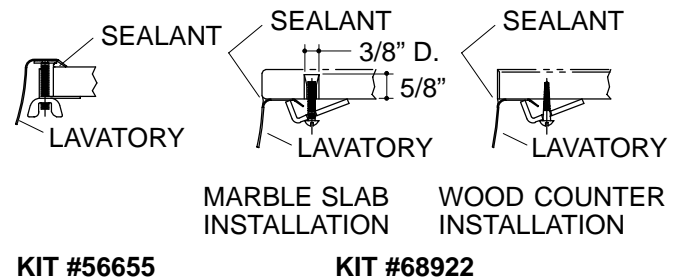
### Roughing-In Notes

Fixture dimensions are nominal and conform to tolerances in ASME Standard A112.19.3M.

(T) Pop-up drain 13-1/8".

(S) 14" (Based on 12" riser which may require cutting).

Supplied basin clamp assembly requires 3/4" minimum countertop thickness. Installer must supply anchors for thinner countertops.



NOTE: WATERPROOF UNPROTECTED OVERHANG AREA OF THE UNDERSIDE OF WOOD COUNTER.