

### TILE-IN OR METAL FRAME KITCHEN SINK

# K-5801

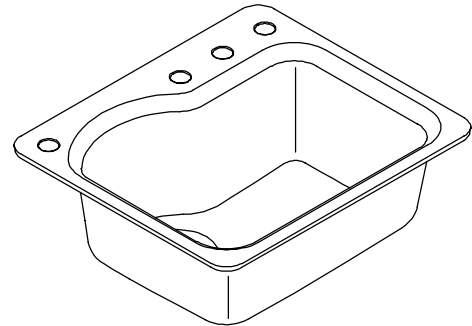
#### FEATURES

- 24" x 21"
- Cast iron
- Acid resistant enamel finish
- Tile-in or metal frame mounting
- Single compartment
- 3-hole (K-5801-3) or 2-hole (K-5801-2) drilling

#### CODES/STANDARDS APPLICABLE

Specified model meets or exceeds the following:

- ASME/ANSI A112.19.1M



#### COLORS/FINISHES

- 0 White
- Other Refer to Fixtures Price Book for additional colors

#### Accessories:

- CP Polished Chrome
- NA None Applicable
- Other Refer to Price Book for additional finishes

#### SPECIFIED MODEL:

Model	Description	Colors/Finishes	
K-5801-3	3-hole sink	<input type="checkbox"/> 0 White	<input type="checkbox"/> Other_____
K-5801-2	2-hole sink	<input type="checkbox"/> 0 White	<input type="checkbox"/> Other_____

Recommended Accessories			
K-9000	Trap		<input type="checkbox"/> CP
K-6596	Metal frame		<input type="checkbox"/> NA

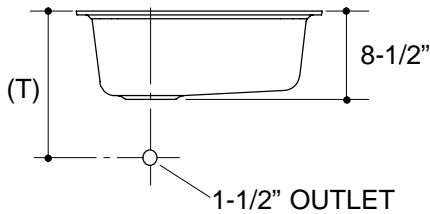
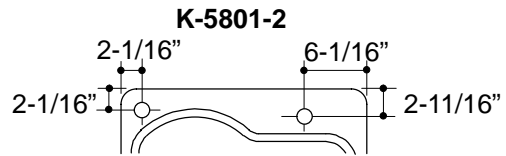
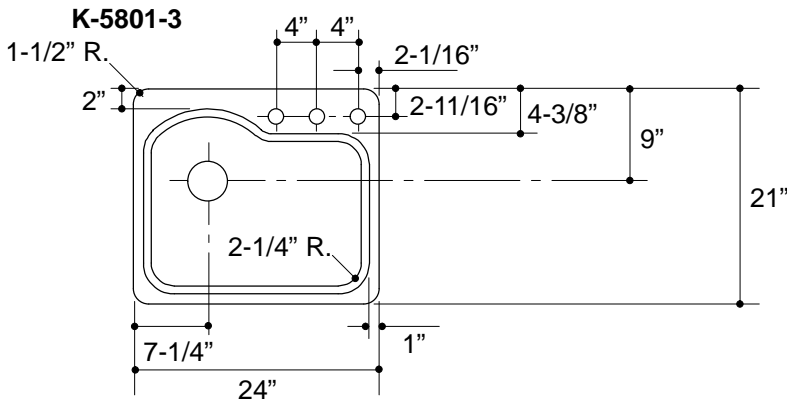
Optional Accessories			
K-8801	Duostrainer sink strainer	<input type="checkbox"/> CP	<input type="checkbox"/> Other_____

#### PRODUCT SPECIFICATION:

The tile-in or metal frame mounting sink shall be 24" in length, and 21" in width. Sink shall be made of cast iron with acid resistant enamel finish. Sink shall be single compartment. Sink shall be 3-hole (K-5801-3) or 2-hole (K-5801-2) drilled. Sink shall be Kohler Model K-5801-\_\_\_\_\_-\_\_\_\_\_.

## PRODUCT INFORMATION

Fixture*:		basin area	water depth
Sink		20" x 14"	8"
Outlet	3-5/8" D.		
Faucet holes	1-3/8" D.		
* Approximate measurements for comparison only.			



Roughing-In Notes	
(T) Drain typically 14-3/8".	
Cutout	Metal frame recommended.

.85<116

## PRODUCT DIAGRAM